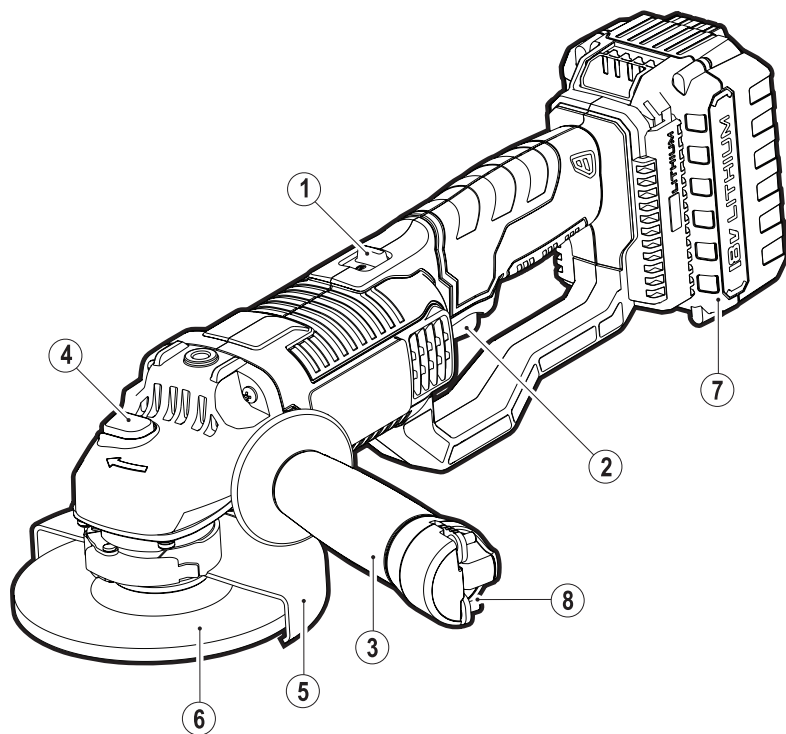
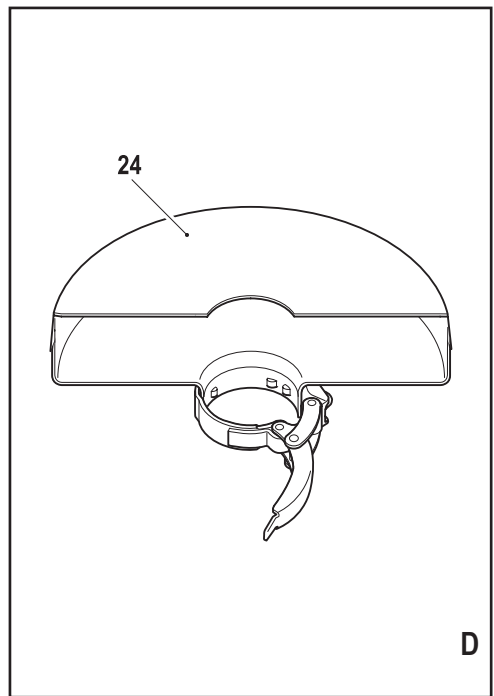
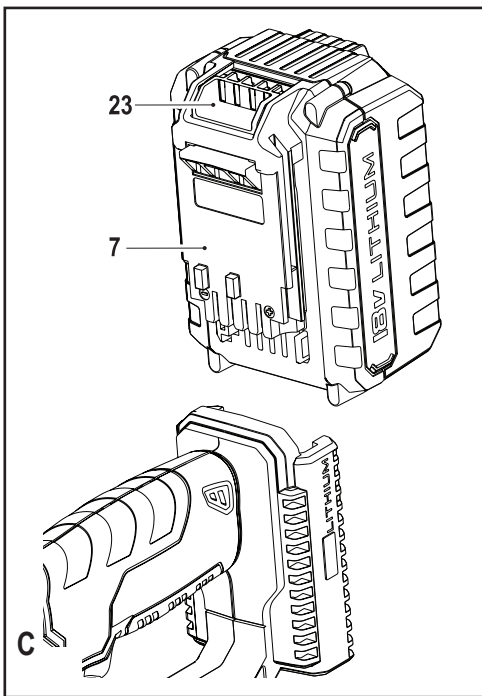
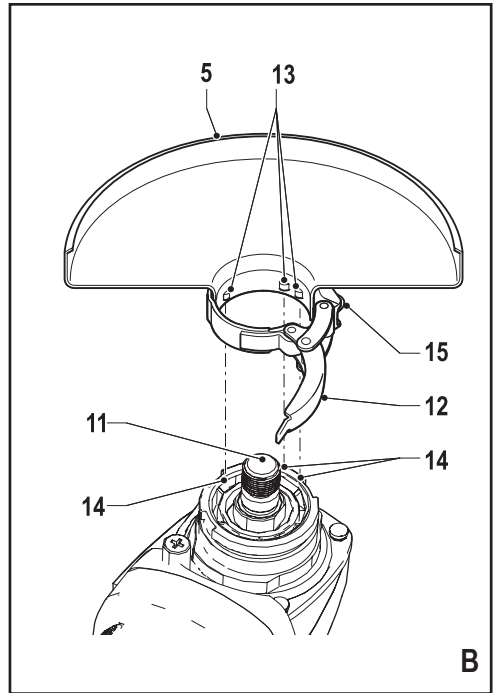
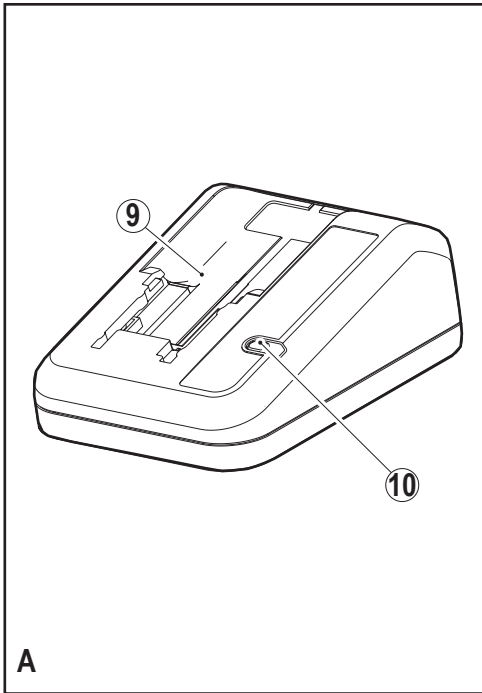


STANLEY®



STSC1840

English	Page	3
Russian	Page	11



Intended use

Your Stanley STSC1840 angle grinder has been designed for grinding and cutting metal and masonry using the appropriate type of cutting or grinding disc. The tool must be fitted with the appropriate guard. This tool is intended for professional users.

Safety instructions

General power tool safety warnings



Warning! Read all safety warnings and all instructions. Failure to follow the warnings and instructions listed below may result in electric shock, fire and/or serious injury.

Save all warnings and instructions for future reference.

The term "power tool" in all of the warnings listed below refers to your mains operated (corded) power tool or battery operated (cordless) power tool.

1. **Work area safety**
 - a. **Keep work area clean and well lit.** Cluttered or dark areas invite accidents.
 - b. **Do not operate power tools in explosive atmospheres, such as in the presence of flammable liquids, gases or dust.** Power tools create sparks which may ignite the dust or fumes.
 - c. **Keep children and bystanders away while operating a power tool.** Distractions can cause you to lose control.
2. **Electrical safety**
 - a. **Power tool plugs must match the outlet. Never modify the plug in any way. Do not use any adapter plugs with earthed (grounded) power tools.** Unmodified plugs and matching outlets will reduce risk of electric shock.
 - b. **Avoid body contact with earthed or grounded surfaces such as pipes, radiators, ranges and refrigerators.** There is an increased risk of electric shock if your body is earthed or grounded.
 - c. **Do not expose power tools to rain or wet conditions.** Water entering a power tool will increase the risk of electric shock.
 - d. **Do not abuse the cord. Never use the cord for carrying, pulling or unplugging the power tool. Keep cord away from heat, oil, sharp edges or moving parts.** Damaged or entangled cords increase the risk of electric shock.
 - e. **When operating a power tool outdoors, use an extension cord suitable for outdoor use.** Use of a cord suitable for outdoor use reduces the risk of electric shock.
 - f. **If operating a power tool in a damp location is unavoidable, use a residual current device (RCD) protected supply.** Use of an RCD reduces the risk of electric shock.
3. **Personal safety**
 - a. **Stay alert, watch what you are doing and use common sense when operating a power tool. Do not use a power tool while you are tired or under the influence of drugs, alcohol or medication.** A moment of inattention while operating power tools may result in serious personal injury.
 - b. **Use personal protective equipment. Always wear eye protection.** Protective equipment such as dust mask, non-skid safety shoes, hard hat, or hearing protection used for appropriate conditions will reduce personal injuries.
 - c. **Prevent unintentional starting. Ensure the switch is in the off-position before connecting to power source and/or battery pack, picking up or carrying the tool.** Carrying power tools with your finger on the switch or energising power tools that have the switch on invites accidents.
 - d. **Remove any adjusting key or wrench before turning the power tool on.** A wrench or a key left attached to a rotating part of the power tool may result in personal injury.
 - e. **Do not overreach. Keep proper footing and balance at all times.** This enables better control of the power tool in unexpected situations.
 - f. **Dress properly. Do not wear loose clothing or jewellery. Keep your hair, clothing and gloves away from moving parts.** Loose clothes, jewellery or long hair can be caught in moving parts.
 - g. **If devices are provided for the connection of dust extraction and collection facilities, ensure these are connected and properly used.** Use of dust collection can reduce dust-related hazards.
4. **Power tool use and care**
 - a. **Do not force the power tool. Use the correct power tool for your application.** The correct power tool will do the job better and safer at the rate for which it was designed.
 - b. **Do not use the power tool if the switch does not turn it on and off.** Any power tool that cannot be controlled with the switch is dangerous and must be repaired.
 - c. **Disconnect the plug from the power source and/or the battery pack from the power tool before making any adjustments, changing accessories, or storing power tools.** Such preventive safety measures reduce the risk of starting the power tool accidentally.
 - d. **Store idle power tools out of the reach of children and do not allow persons unfamiliar with the power tool or these instructions to operate the power tool.** Power tools are dangerous in the hands of untrained users.
 - e. **Maintain power tools. Check for misalignment or**

binding of moving parts, breakage of parts and any other condition that may affect the power tools operation. If damaged, have the power tool repaired before use. Many accidents are caused by poorly maintained power tools.

- f. **Keep cutting tools sharp and clean.** Properly maintained cutting tools with sharp cutting edges are less likely to bind and are easier to control.
 - g. **Use the power tool, accessories and tool bits etc. in accordance with these instructions, taking into account the working conditions and the work to be performed.** Use of the power tool for operations different from those intended could result in a hazardous situation.
5. **Battery tool use and care**
- a. **Recharge only with the charger specified by the manufacturer.** A charger that is suitable for one type of battery pack may create a risk of fire when used with another battery pack.
 - b. **Use power tools only with specifically designated battery packs.** Use of any other battery packs may create a risk of injury and fire.
 - c. **When battery pack is not in use, keep it away from other metal objects, like paper clips, coins, keys, nails, screws, or other small metal objects, that can make a connection from one terminal to another.** Shorting the battery terminals together may cause burns or a fire.
 - d. **Under abusive conditions, liquid may be ejected from the battery; avoid contact. If contact accidentally occurs, flush with water. If liquid contacts eyes, additionally seek medical help.** Liquid ejected from the battery may cause irritation or burns.
6. **Service**
- a. **Have your power tool serviced by a qualified repair person using only identical replacement parts.** This will ensure that the safety of the power tool is maintained.

Additional power tool safety warnings



Warning! Additional safety warnings for grinding, sanding, wire brushing, polishing or abrasive cutting-off operations.

- ◆ **This power tool is intended to function as a grinder, sander, wire brush, polisher or cut-off tool. Read all safety warnings, instructions, illustrations and specifications provided with this power tool.** Failure to follow all instructions listed below may result in electric shock, fire and/or serious injury.
- ◆ **Operations for which the power tool was not designed may create a hazard and cause personal injury.**

- ◆ **Do not use accessories which are not specifically designed and recommended by the tool manufacturer.** Just because the accessory can be attached to your power tool, it does not assure safe operation.
- ◆ **The rated speed of the accessory must be at least equal to the maximum speed marked on the power tool.** Accessories running faster than their rated speed can break and fly apart
- ◆ **The outside diameter and the thickness of your accessory must be within the capacity rating of your power tool.** Incorrectly sized accessories cannot be adequately guarded or controlled.
- ◆ **Threaded mounting of accessories must match the grinder spindle thread. For accessories mounted by flanges, the arbour hole of the accessory must fit the locating diameter of the flange.** Accessories that do not match the mounting hardware of the power tool will run out of balance, vibrate excessively and may cause loss of control.
- ◆ **Do not use a damaged accessory. Before each use inspect the accessory such as abrasive wheels for chips and cracks, backing pad for cracks, tear or excess wear, wire brush for loose or cracked wires. If power tool or accessory is dropped, inspect for damage or install an undamaged accessory. After inspecting and installing an accessory, position yourself and bystanders away from the plane of the rotating accessory and run the power tool at maximum no-load speed for one minute.** Damaged accessories will normally break apart during this test time.
- ◆ **Wear personal protective equipment. Depending on application, use face shield, safety goggles or safety glasses. As appropriate, wear dust mask, hearing protectors, gloves and workshop apron capable of stopping small abrasive or workpiece fragments.** The eye protection must be capable of stopping flying debris generated by various operations. The dust mask or respirator must be capable of filtering particles generated by your operation. Prolonged exposure to high intensity noise may cause hearing loss.
- ◆ **Keep bystanders a safe distance away from work area. Anyone entering the work area must wear personal protective equipment.** Fragments of workpiece or of a broken accessory may fly away and cause injury beyond immediate area of operation.
- ◆ **Hold power tool by insulated gripping surfaces only, when performing an operation where the cutting accessory may contact hidden wiring or its own cord.** Cutting accessory contacting a "live" wire may make exposed metal parts of the power tool "live" and could give the operator an electric shock.
- ◆ **Position the cord clear of the spinning accessory.** If you lose control, the cord may be cut or snagged and your

hand or arm may be pulled into the spinning accessory.

- ◆ **Never lay the power tool down until the accessory has come to a complete stop.** The spinning accessory may grab the surface and pull the power tool out of your control.
- ◆ **Do not run the power tool while carrying it at your side.** Accidental contact with the spinning accessory could snag your clothing, pulling the accessory into your body.
- ◆ **Regularly clean the power tool's air vents.** The motor's fan will draw the dust inside the housing and excessive accumulation of powdered metal may cause electrical hazards.
- ◆ **Do not operate the power tool near flammable materials.** Sparks could ignite these materials.
- ◆ **Do not use accessories that require liquid coolants.** Using water or other liquid coolants may result in electrocution or shock.

Note: The above warning does not apply for power tools specifically designed for use with a liquid system.

Kickback and related warnings

Kickback is a sudden reaction to a pinched or snagged rotating wheel, backing pad, brush or any other accessory. Pinching or snagging causes rapid stalling of the rotating accessory which in turn causes the uncontrolled power tool to be forced in the direction opposite of the accessory's rotation at the point of the binding.

For example, if an abrasive wheel is snagged or pinched by the workpiece, the edge of the wheel that is entering into the pinch point can dig into the surface of the material causing the wheel to climb out or kick out. The wheel may either jump toward or away from the operator, depending on direction of the wheel's movement at the point of pinching. Abrasive wheels may also break under these conditions.

Kickback is the result of power tool misuse and/or incorrect operating procedures or conditions and can be avoided by taking proper precautions as given below.

- ◆ **Maintain a firm grip on the power tool and position your body and arm to allow you to resist kickback forces. Always use auxiliary handle, if provided, for maximum control over kickback or torque reaction during start-up.** The operator can control torque reactions or kickback forces, if proper precautions are taken.
- ◆ **Never place your hand near the rotating accessory.** Accessory may kickback over your hand.
- ◆ **Do not position your body in the area where power tool will move if kickback occurs.** Kickback will propel the tool in direction opposite to the wheel's movement at the point of snagging.
- ◆ **Use special care when working corners, sharp edges etc. Avoid bouncing and snagging the accessory.**

Corners, sharp edges or bouncing have a tendency to snag the rotating accessory and cause loss of control or kickback.

- ◆ **Do not attach a saw chain woodcarving blade or toothed saw blade.** Such blades create frequent kickback and loss of control.

Safety Warnings Specific for Grinding and Abrasive Cutting-Off Operations:

- ◆ **Use only wheel types that are recommended for your power tool and the specific guard designed for the selected wheel.** Wheels for which the power tool was not designed cannot be adequately guarded and are unsafe.
- ◆ **The grinding surface of centre depressed wheels must be mounted below the plane of the guard lip.** An improperly mounted wheel that projects through the plane of the guard lip cannot be adequately protected.
- ◆ **The guard must be securely attached to the power tool and positioned for maximum safety, so the least amount of wheel is exposed towards the operator.** The guard helps to protect operator from broken wheel fragments, accidental contact with wheel and sparks that could ignite clothing.
- ◆ **Wheels must be used only for recommended applications. For example: do not grind with the side of cut-off wheel.** Abrasive cut-off wheels are intended for peripheral grinding, side forces applied to these wheels may cause them to shatter.
- ◆ **Always use undamaged wheel flanges that are of correct size and shape for your selected wheel.** Proper wheel flanges support the wheel thus reducing the possibility of wheel breakage. Flanges for cut-off wheels may be different from grinding wheel flanges.
- ◆ **Do not use worn down wheels from larger power tools.** Wheel intended for larger power tool is not suitable for the higher speed of a smaller tool and may burst.

Additional safety warnings specific for abrasive cutting-off operations

- ◆ **Do not "jam" the cut-off wheel or apply excessive pressure. Do not attempt to make an excessive depth of cut.** Over stressing the wheel increases the loading and susceptibility to twisting or binding of the wheel in the cut and the possibility of kickback or wheel breakage.
- ◆ **Do not position your body in line with and behind the rotating wheel.** When the wheel, at the point of operation, is moving away from your body, the possible kickback may propel the spinning wheel and the power tool directly at you.
- ◆ **When wheel is binding or when interrupting a cut for any reason, switch off the power tool and hold the power tool motionless until the wheel comes to a complete stop. Never attempt to remove the cut-off**

wheel from the cut while the wheel is in motion otherwise kickback may occur. Investigate and take corrective action to eliminate the cause of wheel binding.

- ◆ **Do not restart the cutting operation in the workpiece. Let the wheel reach full speed and carefully re-enter the cut.** The wheel may bind, walk up or kickback if the power tool is restarted in the workpiece.
- ◆ **Support panels or any oversized workpiece to minimise the risk of wheel pinching and kickback.** Large workpieces tend to sag under their own weight. Supports must be placed under the workpiece near the line of cut and near the edge of the workpiece on both sides of the wheel.
- ◆ **Use extra caution when making a "pocket cut" into existing walls or other blind areas.** The protruding wheel may cut gas or water pipes, electrical wiring or objects that can cause kickback.

Safety warnings specific for sanding operation

- ◆ **Do not use excessively oversized sanding disc paper. Follow manufacturers recommendations, when selecting sanding paper.** Larger sanding paper extending beyond the sanding pad presents a laceration hazard and may cause snagging, tearing of the disc or kickback.

Safety warnings specific for polishing operation

- ◆ **Do not allow any loose portion of the polishing bonnet or its attachment strings to spin freely. Tuck away or trim any loose attachment strings.** Loose and spinning attachment strings can entangle your fingers or snag on the workpiece.

Safety warnings specific for wire brushing operations

- ◆ **Be aware that wire bristles are thrown by the brush even during ordinary operation. Do not overstress the wires by applying excessive load to the brush.** The wire bristles can easily penetrate light clothing and/or skin.
- ◆ **If the use of a guard is recommended for wire brushing, do not allow any interference of the wire wheel or brush with the guard.** Wire wheel or brush may expand in diameter due to work load and centrifugal forces.



Warning! Contact with or inhalation of dusts arising from sanding applications may endanger the health of the operator and possible bystanders. Wear a dust mask specifically designed for protection against dust and fumes and ensure that persons within or entering the work area are also protected.

Safety of others

- ◆ This tool can be used by children aged from 8 years and above and persons with reduced physical, sensory or mental capabilities or lack of experience and knowledge if they have been given supervision or instruction concerning use of the appliance in a safe way and understand the hazards involved.
- ◆ Children shall not play with the appliance. Cleaning and user maintenance shall not be made by children without supervision.

Residual risks

Additional residual risks may arise when using the tool which may not be included in the enclosed safety warnings. These risks can arise from misuse, prolonged use etc.

Even with the application of the relevant safety regulations and the implementation of safety devices, certain residual risks can not be avoided. These include:

- ◆ Injuries caused by touching any rotating/moving parts.
- ◆ Injuries caused when changing any parts, blades or accessories.
- ◆ Injuries caused by prolonged use of a tool. When using any tool for prolonged periods ensure you take regular breaks.
- ◆ Impairment of hearing.
- ◆ Health hazards caused by breathing dust developed when using your tool (example:- working with wood, especially oak, beech and MDF.)

Vibration

The declared vibration emission values stated in the technical data and the declaration of conformity have been measured in accordance with a standard test method provided by EN 60745 and may be used for comparing one tool with another. The declared vibration emission value may also be used in a preliminary assessment of exposure.

Warning! The vibration emission value during actual use of the power tool can differ from the declared value depending on the ways in which the tool is used. The vibration level may increase above the level stated.

When assessing vibration exposure to determine safety measures required by 2002/44/EC to protect persons regularly using power tools in employment, an estimation of vibration exposure should consider, the actual conditions of use and the way the tool is used, including taking account of all parts of the operating cycle such as the times when the tool is switched off and when it is running idle in addition to the trigger time.

Labels on tool

The following symbols are shown on the tool along with the date code:



Warning! To reduce the risk of injury, the user must read the instruction manual.



Wear safety glasses or goggles when operating this tool.



Wear ear protection when operating this tool.

Additional safety instructions for batteries and chargers

Batteries

- ◆ Never attempt to open for any reason.
- ◆ Do not expose the battery to water.
- ◆ Do not store in locations where the temperature may exceed 40 °C.
- ◆ Charge only at ambient temperatures between 10 °C and 40 °C.
- ◆ Charge only using the charger provided with the tool.
- ◆ When disposing of batteries, follow the instructions given in the section "Protecting the environment".



Do not attempt to charge damaged batteries.

Chargers

- ◆ Use your Stanley charger only to charge the battery in the tool with which it was supplied. Other batteries could burst, causing personal injury and damage.
- ◆ Never attempt to charge non-rechargeable batteries.
- ◆ Have defective cords replaced immediately.
- ◆ Do not expose the charger to water.
- ◆ Do not open the charger.
- ◆ Do not probe the charger.



The charger is intended for indoor use only.



Read the instruction manual before use.

Electrical safety



Your charger is double insulated; therefore no earth wire is required. Always check that the mains voltage corresponds to the voltage on the rating plate. Never attempt to replace the charger unit with a regular mains plug.

- ◆ If the supply cord is damaged, it must be replaced by the manufacturer or an authorised Stanley Service Centre in order to avoid a hazard.

Features

This appliance includes some or all of the following features.

1. Lock off switch
2. Trigger switch
3. Side handle
4. Spindle lock
5. Grinding guard
6. Grinding disc
7. Battery (Not supplied)
8. Two pin spanner

fig. A

9. Battery charger (Not supplied)
10. Charge indicator

Use

Warning! Let the tool work at its own pace. Do not overload.

- ◆ Be prepared for a stream of sparks when the grinding or cutting disc touches the workpiece.
- ◆ Always position the tool in such a way that the guard provides optimum protection from the grinding or cutting disc.

Charging the battery (fig. A)

The battery needs to be charged before first use and whenever it fails to produce sufficient power on jobs that were easily done before. The battery may become warm while charging; this is normal and does not indicate a problem.

Warning! Do not charge the battery at ambient temperatures below 10 °C or above 40 °C. Recommended charging temperature: approx. 24 °C.

Note: The charger will not charge a battery if the cell temperature is below approximately 10 °C or above 40 °C. The battery should be left in the charger and the charger will begin to charge automatically when the cell temperature warms up or cools down.

- ◆ To charge the battery (7), insert it into the charger (9). The battery will only fit into the charger in one way. Do not force. Be sure that the battery is fully seated in the charger.
- ◆ Plug in the charger and switch on at the mains.

The charging indicator (10) will blink.

The charge is complete when the charging indicator (10) switches to continuously on. The charger and the battery can be left connected indefinitely. The LED will switch on as the charger occasionally tops up the battery charge.

- ◆ Charge discharged batteries within 1 week. Battery life will be greatly diminished if stored in a discharged state.

Leaving the battery in the charger

The charger and battery pack can be left connected with the LED glowing indefinitely. The charger will keep the battery pack fresh and fully charged.

Charger diagnostics

If the charger detects a weak or damaged battery, the charging indicator (10) will flash red at a fast rate. Proceed as follows:

- ◆ Re-insert the battery (7).
- ◆ If the charging indicators continues flashing red at a fast rate, use a different battery to determine if the charging process works properly.
- ◆ If the replaced battery charges correctly, the original battery is defective and should be returned to a service centre for recycling.
- ◆ If the new battery gives the same indication as the original battery, take the charger to be tested at an authorised services centre.

Note: It may take as long as 30 minutes to determine that the battery is defective. If the battery is too hot or too cold, the LED will alternately blink red, fast and slow, one flash at each speed and repeat.

Switching on and off

- ◆ To switch on, slide the lock off switch (1) forward then press and hold the trigger switch (2).
- ◆ To switch off, release the trigger switch (2).

Warning! Do not switch the tool on or off while under load.

Warning! Always slide the lock off switch (1) backwards to the locked position when the tool is not in use.

Hints for optimum use

- ◆ Firmly hold the tool with one hand around the side handle and the other hand around the main handle.

Surface grinding with grinding wheels

- ◆ Allow the tool to reach full speed before touching the tool to the work surface.
- ◆ Apply minimum pressure to the work surface, allowing the tool to operate at high speed. Grinding rate is greatest when the tool operates at high speed.
- ◆ Maintain a 20° to 30° angle between the tool and work surface.
- ◆ Continuously move the tool in a forward and back motion to avoid creating gouges in the work surface.
- ◆ Remove the tool from work surface before turning tool off. Allow the tool to stop rotating before laying it down.

Edge grinding with grinding wheels

Wheels used for cutting and edge grinding may break or kick back if they bend or twist while the tool is being used

to do cut-off work or deep grinding. To reduce the risk of serious injury, limit the use of these wheels with a standard Type 27 guard to shallow cutting and notching (less than 1/2 inch (13mm) in depth). The open side of the guard must be positioned away from the operator. For deeper cutting with a Type 1 cut-off wheel, use a closed Type 1 guard. See the Grinding and cutting chart which can be found at the back of language section.

- ◆ Allow the tool to reach full speed before touching the tool to the work surface.
- ◆ Apply minimum pressure to the work surface, allowing the tool to operate at high speed. Grinding rate is greatest when the tool operates at high speed.
- ◆ Position yourself so that the open-underside of the wheel is facing away from you.
- ◆ Once a cut is begun and a notch is established in the workpiece, do not change the angle of the cut. Changing the angle will cause the wheel to bend and may cause wheel breakage. Edge grinding wheels are not designed to withstand side pressures caused by bending.
- ◆ Remove the tool from the work surface before turning the tool off. Allow the tool to stop rotating before laying it down.

Do not use edge grinding/cutting wheels for surface grinding applications because these wheels are not designed for side pressures encountered with surface grinding. Wheel breakage and injury may result.

Surface finishing with sanding flap discs

- ◆ Allow the tool to reach full speed before touching the tool to the work surface.
- ◆ Apply minimum pressure to work surface, allowing the tool to operate at high speed. Sanding rate is greatest when the tool operates at high speed.
- ◆ Maintain a 5° to 10° angle between the tool and work surface.
- ◆ Continuously move the tool in a forward and back motion to avoid creating gouges in the work surface.
- ◆ Remove the tool from work surface before turning tool off. Allow the tool to stop rotating before laying it down.

Using sanding backing pads

Choose the proper grit sanding discs for your application. Sanding discs are available in various grits. Coarse grits yield faster material removal rates and a rougher finish. Finer grits yield slower material removal and a smoother finish.

Begin with coarse grit discs for fast, rough material removal. Move to a medium grit paper and finish with a fine grit disc for optimal finish.

- ◆ Coarse 16 - 30 grit
- ◆ Medium 36 - 80 grit
- ◆ Fine Finishing 100 - 120 grit

- ◆ Very Fine Finishing 150 - 180 grit
- ◆ Allow the tool to reach full speed before touching tool to the work surface.
- ◆ Apply minimum pressure to work surface, allowing the tool to operate at high speed. Sanding rate is greatest when the tool operates at high speed.
- ◆ Maintain a 5° to 15° angle between the tool and work surface. The sanding disc should contact approximately one inch (25mm) of work surface.
- ◆ Move the tool constantly in a straight line to prevent burning and swirling of work surface. Allowing the tool to rest on the work surface without moving, or moving the tool in a circular motion causes burning and swirling marks on the work surface.
- ◆ Remove the tool from work surface before turning tool off. Allow the tool to stop rotating before laying it down.

Using wire cup brushes and wire wheels

Wire wheels and brushes can be used for removing rust, scale and paint, and for smoothing irregular surfaces.

Note: The same precautions should be taken when wire brushing paint as when sanding paint.

- ◆ Allow the tool to reach full speed before touching the tool to the work surface.
- ◆ Apply minimum pressure to work surface, allowing the tool to operate at high speed. Material removal rate is greatest when the tool operates at high speed.
- ◆ Maintain a 5° to 10° angle between the tool and work surface for wire cup brushes.
- ◆ Maintain contact between the edge of the wheel and the work surface with wire wheels.
- ◆ Continuously move the tool in a forward and back motion to avoid creating gouges in the work surface. Allowing the tool to rest on the work surface without moving, or moving the tool in a circular motion causes burning and swirling marks on the work surface.
- ◆ Remove the tool from the work surface before turning the tool off. Allow the tool to stop rotating before setting it down.

Use extra care when working over an edge, as a sudden sharp movement of grinder may be experienced.

Precautions to take when sanding or wire brushing paint

- ◆ Sanding of lead based paint is NOT RECOMMENDED due to the difficulty of controlling the contaminated dust. The greatest danger of lead poisoning is to children and pregnant women.
- ◆ Since it is difficult to identify whether or not a paint contains lead without a chemical analysis, we recommend the following precautions when sanding any paint:

Personal safety

- ◆ No children or pregnant women should enter the work area where the paint sanding is being done until all clean up is completed.
- ◆ A dust mask or respirator should be worn by all persons entering the work area. The filter should be replaced daily or whenever the wearer has difficulty breathing.

Note: Only those dust masks suitable for working with lead paint dust and fumes should be used. Ordinary painting masks do not offer this protection. See your local hardware dealer for the proper respiratory protection.

- ◆ NO EATING, DRINKING or SMOKING should be done in the work area to prevent ingesting contaminated paint particles. Workers should wash and clean up BEFORE eating, drinking or smoking. Articles of food, drink, or smoking should not be left in the work area where dust would settle on them.

Environmental safety

- ◆ Paint should be removed in such a manner as to minimize the amount of dust generated.
- ◆ Areas where paint removal is occurring should be sealed with plastic sheeting of 4 mils thickness.
- ◆ Sanding should be done in a manner to reduce tracking of paint dust outside the work area.

Cleaning and disposal

- ◆ All surfaces in the work area should be vacuumed and thoroughly cleaned daily for the duration of the sanding project. Vacuum filter bags should be changed frequently.
- ◆ Plastic drop cloths should be gathered up and disposed of along with any dust chips or other removal debris. They should be placed in sealed refuse receptacles and disposed of through regular trash pick-up procedures. During clean up, children and pregnant women should be kept away from the immediate work area.
- ◆ All toys, washable furniture and utensils used by children should be washed thoroughly before being used again.

Using cutting wheels

Do not use edge grinding/cutting wheels for surface grinding applications because these wheels are not designed for side pressures encountered with surface grinding.

Wheel breakage and injury may result.

- ◆ Allow tool to reach full speed before touching tool to work surface.
- ◆ Apply minimum pressure to work surface, allowing tool to operate at high speed. Cutting rate is greatest when the tool operates at high speed.
- ◆ Once a cut is begun and a notch is established in the workpiece, do not change the angle of the cut. Changing the angle will cause the wheel to bend and may cause wheel breakage.

- ◆ Remove the tool from work surface before turning tool off. Allow the tool to stop rotating before setting it down.

Maintenance

Your Stanley tool has been designed to operate over a long period of time with a minimum of maintenance. Continuous satisfactory operation depends upon proper tool care and regular cleaning.

Your charger does not require any maintenance apart from regular cleaning.

Warning! Before performing any maintenance on corded/cordless power tools:

- ◆ Switch off and unplug the appliance/tool.
- ◆ Or switch off and remove the battery from the appliance/tool if the appliance/tool has a separate battery pack.
- ◆ Or run the battery down completely if it is integral and then switch off.
- ◆ Unplug the charger before cleaning it. Your charger does not require any maintenance apart from regular cleaning.
- ◆ Regularly clean the ventilation slots in your appliance/tool/charger using a soft brush or dry cloth.
- ◆ Regularly clean the motor housing using a damp cloth. Do not use any abrasive or solvent-based cleaner.
- ◆ Regularly open the chuck and tap it to remove any dust from the interior (when fitted).

Protecting the environment



Separate collection. Products and batteries marked with this symbol must not be disposed of with normal household waste.

Products and batteries contain materials that can be recovered or recycled reducing the demand for raw materials. Please recycle electrical products and batteries according to local provisions. Further information is available at www.2helpU.com.

Technical data

STSC1840		
Voltage	V _{DC}	18
No-load speed	Min ⁻¹	9000
Disc diameter	mm	125
Disc bore	mm	22
Max disc thickness		
grinding disc	mm	6
cutting disc	mm	3.5
Spindle diameter		M14
Spindle length (with the inner flange fitted)	mm	14
Spindle length (without the inner flange fitted)	mm	19.5
Weight	kg	2.0

Charger		Not supplied
Input voltage	V _{AC}	
Output voltage	V _{DC}	
Current	A	
Approx. charge time	min	

Battery		Not supplied
Voltage	V _{AC}	
Capacity	Ah	
Type		

Level of sound pressure according to EN 60745:

Sound pressure (L_{pa}) 80.5 dB(A), uncertainty (K) 3 dB(A)
 Sound power (L_{WA}) 91.5 dB(A), uncertainty (K) 3 dB(A)

Vibration total values (triax vector sum) according to EN 60745:

Surface grinding (a_{n,SG}) 3.9 m/s², uncertainty (K) 1.5 m/s²
 Polishing (a_{n,p}) 2.0 m/s², uncertainty (K) 1.5 m/s²
 Disc sanding (a_{n,DS}) 4.5 m/s², uncertainty (K) 1.5 m/s²

Caution! Applications such as cutting-off or wire brushing may have different vibration emissions.

Guarantee

Stanley is confident of the quality of its products and offers consumers a 24 month guarantee from the date of purchase. This guarantee is in addition to and in no way prejudices your statutory rights. The guarantee is valid within the territories of the Member States of the European Union and the European Free Trade Area.

To claim on the guarantee, the claim must be in accordance with Stanley Terms and Conditions and you will need to submit proof of purchase to the seller or an authorised repair agent. Terms and conditions of the Stanley 2 year guarantee and the location of your nearest authorised repair agent can be obtained on the Internet at www.2helpU.com, or by contacting your local Stanley office at the address indicated in this manual.

Назначение

Ваша угловая шлифовальная машина Stanley STSC1840 предназначена для отрезных и шлифовальных работ по металлу и кирпичной кладке соответствующими дисками для резки и шлифовки при установке надлежащего кожуха. Данный инструмент предназначен для профессионального использования.

Правила техники безопасности

Общие правила безопасности при работе с электроинструментом



Внимание! Полностью прочтите инструкции по технике безопасности и все руководства по эксплуатации. Несоблюдение представленных ниже предупреждений и инструкций может привести к поражению электрическим током, возгоранию и/или тяжелым травмам.

Сохраните все инструкции для последующего обращения к ним. Термин «электроинструмент» во всех приведенных ниже предупреждениях относится к питаемому от электросети (проводному) или от аккумуляторных батарей (беспроводному) электроинструменту.

1. Безопасность на рабочем месте

- a. **Содержите рабочее место в чистоте и обеспечьте его хорошую освещенность.** Плохое освещение или беспорядок на рабочем месте может привести к несчастному случаю.
- b. **Не используйте электроинструмент во взрывоопасной атмосфере, например, при наличии горючих жидкостей, газов или пыли.** Искры, которые появляются при работе электроинструмента, могут привести к воспламенению пыли или паров.
- c. **Не разрешайте детям и посторонним лицам находиться рядом с вами при работе с электроинструментом.** Отвлекаясь от работы, вы можете потерять контроль над инструментом.

2. Электробезопасность

- a. **Сетевые вилки электроинструмента должны соответствовать розеткам. Никогда не меняйте вилку инструмента. Запрещается использовать переходники к вилкам для электроинструментов с заземлением.** Использование оригинальных штепсельных вилок, соответствующих типу сетевой розетки, снижает риск поражения электрическим током.
- b. **Следует избегать контакта с заземленными поверхностями, такими как трубы, радиаторы,**

батареи и холодильники. Если вы будете заземлены, увеличивается риск поражения электрическим током.

- c. **Не допускайте нахождения электроинструментов под дождем или в условиях повышенной влажности.** Попадание воды в электроинструмент может привести к поражению электрическим током.
 - d. **Бережно обращайтесь с кабелем питания. Никогда не используйте кабель для переноски инструмента, не тяните за него, пытайтесь отключить инструмент от сети. Держите кабель подальше от источников тепла, масла, острых углов или движущихся предметов.** Поврежденный или запутанный кабель питания повышает риск поражения электротоком.
 - e. **При работе с электроинструментом вне помещения необходимо пользоваться удлинительным кабелем, рассчитанным на эксплуатацию вне помещения.** Использование кабеля, предназначенного для применения на открытом воздухе, снижает риск поражения электрическим током.
 - f. **При необходимости эксплуатации электроинструмента в местах с повышенной влажностью используйте устройство защиты от токов замыкания на землю (УЗО).** Использование УЗО сокращает риск поражения электрическим током.
- #### 3. Обеспечение индивидуальной безопасности
- a. **При работе с электроинструментом сохраняйте бдительность, следите за своими действиями и руководствуйтесь здравым смыслом. Запрещается работать с электроинструментом в состоянии усталости, наркотического, алкогольного опьянения или под воздействием лекарственных препаратов.** Минутная невнимательность при работе с электроинструментом может привести к серьезным травмам.
 - b. **Используйте средства индивидуальной защиты. Всегда используйте защитные очки.** Средства защиты, такие как пылезащитная маска, обувь на нескользящей подошве, каска и защитные наушники, используемые при работе, уменьшают риск получения травм.
 - c. **Примите меры для предотвращения случайного включения. Перед тем как подключить электроинструмент к сети и/или аккумуляторной батарее, взять инструмент или перенести его на другое место, убедитесь в том, что выключатель находится в положении «Выкл.».** Если при переноске электроинструмента он подключен к сети, и при этом ваш палец находится на выключателе, это может стать причиной несчастных случаев.

- d. Уберите все регулировочные или гаечные ключи перед включением электроинструмента. Ключ, оставленный на вращающейся части электроинструмента, может привести к травме.
- e. Не пытайтесь дотянуться до слишком удаленных поверхностей. Всегда твердо стойте на ногах, сохраняя равновесие. Это позволит лучше контролировать электроинструмент в непредвиденных ситуациях.
- f. Надевайте подходящую одежду. Избегайте носить свободную одежду и ювелирные украшения. Следите за тем, чтобы волосы, одежда и перчатки не попадали под движущиеся детали. Возможно наматывание свободной одежды, ювелирных изделий и длинных волос на движущиеся детали.
- g. При наличии устройств для подключения оборудования для удаления и сбора пыли необходимо обеспечить правильность их подключения и эксплуатации. Использование устройства для пылеудаления сокращает риски, связанные с пылью.
4. Эксплуатация электроинструмента и уход за ним
- a. Избегайте чрезмерной нагрузки электроинструмента. Используйте электроинструмент в соответствии с назначением. Правильно подобранный электроинструмент выполнит работу более эффективно и безопасно при стандартной нагрузке.
- b. Не используйте электроинструмент, если не работает его выключатель. Любый электроинструмент, управлять выключением и включением которого невозможно, опасен, и его необходимо отремонтировать.
- c. Перед выполнением любой регулировки, заменой дополнительных приспособлений или хранением электроинструмента отключите инструмент от сети или извлеките батарею из инструмента. Такие превентивные меры безопасности сокращают риск случайного включения электроинструмента.
- d. Храните электроинструмент в недоступном для детей месте и не позволяйте работать с инструментом людям, не имеющим соответствующих навыков работы с такого рода инструментами. Электроинструмент представляет опасность в руках неопытных пользователей.
- e. Проводите обслуживание электроинструментов. Проверьте движущиеся детали на точность совмещения или заклинивание, поломку либо какие-либо другие условия, которые могут повлиять на эксплуатацию электроинструмента. В случае обнаружения повреждений, прежде чем приступить к эксплуатации электроинструмента, его нужно отремонтировать. Большинство несчастных случаев происходит из-за электроинструментов, которые не обслуживаются должным образом.
- f. Необходимо содержать режущий инструмент в остро заточенном и чистом состоянии. Вероятность заклинивания инструмента, за которым следят должным образом и который хорошо заточен, значительно меньше, а работать с ним легче.
- g. Используйте данный электроинструмент, а также дополнительные приспособления и насадки в соответствии с данными инструкциями и с учетом условий и специфики работы. Использование электроинструмента для работ, для которых он не предназначен, может привести к несчастным случаям.
5. Использование аккумуляторных электроинструментов и уход за ними
- a. Используйте для зарядки аккумуляторной батареи только указанное производителем зарядное устройство. Использование зарядного устройства определенного типа для зарядки других батарей может привести к возгоранию.
- b. Используйте для электроинструмента только батареи указанного типа. Использование других аккумуляторных батарей может стать причиной травмы и пожара.
- c. Избегайте попадания внутрь батареи скрепок, монет, ключей, гвоздей, болтов или других мелких металлических предметов, которые могут вызывать замыкание ее контактов. Короткое замыкание контактов аккумуляторной батареи может привести к пожару или получению ожогов.
- d. При повреждении батареи, из нее может вытечь электролит; избегайте контакта с ним. При случайном контакте с электролитом смойте его водой. При попадании электролита в глаза обратитесь за медицинской помощью. Жидкость, находящаяся внутри батареи, может вызвать раздражение или ожоги.
6. Сервисное обслуживание
- a. Обслуживание электроинструмента должно выполняться только квалифицированным техническим персоналом. Это позволит обеспечить безопасность обслуживаемого электроинструмента.

Дополнительные правила безопасности при работе с электроинструментом



Внимание! Дополнительные меры предосторожности для шлифования, зачистки, очистки проволочной щеткой, полировки или абразивной резки.

- ◆ Данный электроинструмент предназначен для шлифования, зачистки, очистки проволочной щеткой, полировки и абразивной резки. Прочитайте и просмотрите все предупреждения, инструкции, иллюстрации и спецификации по данному электроинструменту. Несоблюдение всех приведенных ниже инструкций может стать причиной поражения электрическим током, возгорания и/или тяжелой травмы.
- ◆ Выполнение операций, не предусмотренных для данного инструмента, представляет опасность и может привести к травме.
- ◆ Не используйте дополнительные принадлежности, которые не рекомендованы производителем инструмента и не предназначены для него специально. Возможность установки принадлежности на электроинструмент не обеспечивает безопасности при ее использовании.
- ◆ Номинальная скорость принадлежности должна, как минимум, равняться максимальной скорости, указанной на электроинструменте. Принадлежность, которая вращается со скоростью, превышающей ее номинальную скорость вращения, может разрушиться и отлететь в сторону.
- ◆ Внешний диаметр и толщина принадлежности должны соответствовать диапазону мощности электроинструмента. Принадлежности неправильного выбранного размера не закрываются защитным кожухом и не обеспечивают надлежащего контроля управления.
- ◆ Винтовая резьба принадлежностей должна соответствовать резьбе оси шлифовальной машины. Для принадлежности, установленной на фланцы, отверстие для инструментальной оправки должно соответствовать установочному диаметру фланца. Принадлежности, которые не подходят монтажной арматуре электроинструмента, работают несбалансированно, слишком сильно вибрируют и могут привести к потере управления.
- ◆ Не используйте поврежденные принадлежности. Перед каждым использованием проверяйте принадлежность, как то: абразивные круги – на наличие сколов и трещин, диск-подшаву — на наличие надрывов, трещин или чрезмерного износа, проволочные щетки — на наличие ослабленной или сломанной проволоки. В случае падения электроинструмента или принадлежности проверьте наличие повреждений или установите неповрежденную принадлежность. После проверки и установки принадлежности оператор и посторонние лица не должны находиться на одной плоскости с вращающейся принадлежностью. Запустите электроинструмент на максимальной скорости без нагрузки и дайте ему поработать одну минуту. Поврежденные принадлежности, как правило, ломаются в течение этого тестового периода.
- ◆ Используйте средства индивидуальной защиты. В зависимости от типа выполняемых работ надевайте щиток для защиты лица или защитные очки. В соответствии с необходимостью надевайте респиратор, защитные наушники, перчатки и рабочий фартук, способный защитить от мелких абразивных частиц и фрагментов обрабатываемой детали. Средства защиты для глаз должны останавливать частицы, вылетающие при выполнении различных видов работ. Пылезащитная маска или респиратор должны обеспечивать фильтрацию твердых частиц, образующихся при выполнении работ. Длительное воздействие шума высокой мощности может привести к нарушениям слуха.
- ◆ Не подпускайте посторонних лиц близко к рабочей зоне. Любое лицо, входящее в рабочую зону, должно использовать средства индивидуальной защиты. Фрагменты обрабатываемой детали или разрушенной принадлежности могут отлететь в сторону и стать причиной травмы даже за пределами рабочей зоны.
- ◆ Удерживайте электроинструмент во время выполнения работ только за изолированные поверхности захватывания в тех случаях, когда режущая принадлежность может задеть скрытую электропроводку или собственный кабель питания. При удерживании металлических деталей инструмента, в случае перерезания находящегося под напряжением провода, возможно поражение оператора электрическим током.
- ◆ Располагайте кабель питания на удалении от вращающейся принадлежности. В случае потери контроля над инструментом кабель питания может быть разрезан или ободран, а ваша рука может быть затянута вращающейся принадлежностью.
- ◆ Никогда не кладите электроинструмент до тех пор, пока он полностью не остановится. Вращающаяся принадлежность может задеть за поверхность, из-за чего электроинструмент может вырваться из рук.
- ◆ Не включайте электроинструмент, если принадлежность направлена на вас. Случайный контакт с вращающейся принадлежностью может привести к намотыванию одежды и контакту принадлежности с

вашим телом.

- ◆ **Регулярно очищайте вентиляционные прорези электроинструмента.** Вентилятор электродвигателя затягивает пыль внутрь корпуса, а скопление большого количества пыли на металлических частях электродвигателя повышает риск поражения электротоком.
- ◆ **Не используйте электроинструмент рядом с горючими материалами.** Искры могут привести к их воспламенению.
- ◆ **Не используйте принадлежности, требующие жидкостного охлаждения.** Использование воды или других жидких охлаждающих средств может привести к поражению электрическим током вплоть до смертельного исхода.

Примечание: Предупреждение выше не относится к электроинструментам, специально предназначенным для использования с водяной системой.

Отдача и предупреждения, имеющие отношения к ней

Обратный удар представляет собой внезапную реакцию в результате заклинивания или деформации вращающегося круга, диска-подшвы, щетки или любых других насадок. Заклинивание или деформация вызывают мгновенную остановку вращающейся принадлежности, что, в свою очередь, приводит к потере управления инструментом и его резкого смещения в сторону, противоположную направлению вращения насадки в точке заклинивания.

Например, в случае заклинивания или деформации абразивного круга в обрабатываемой детали, заклинивающий край круга может врезаться в поверхность материала, что приводит к поднятию или выталкиванию круга. Круг может отскочить в сторону оператора или в другом направлении, в зависимости от направления вращения круга в точке заклинивания. Это может также привести к поломке абразивных кругов.

Отдача является результатом неправильного использования инструмента и/или использованием неправильных методов или режимов работы; избежать этого явления можно путем выполнения указанных далее мер предосторожности.

- ◆ **Прочно удерживайте электроинструмент обеими руками и располагайтесь таким образом, чтобы иметь возможность погасить энергию отдачи. Для эффективного управления инструментом в случае возникновения отдачи или реактивного крутящего момента во время запуска всегда пользуйтесь вспомогательной рукояткой, если таковая имеется.** Оператор может контролировать энергию крутящего момента или отдачи при соблюдении надлежащих мер предосторожности.

- ◆ **Никогда не держите руки поблизости от вращающейся принадлежности.** Принадлежность может отскочить в направлении вашей руки.
- ◆ **Не стойте с той стороны, куда будет сдвигаться инструмент в случае возникновения обратного удара.** В результате отдачи, инструмент отскакивает в направлении, противоположном вращению круга в точке заклинивания.
- ◆ **Соблюдайте особую осторожность при обработке углов, острых кромок и т. д. Избегайте дрожания и заклинивания принадлежности.** Углы, острые кромки или дрожание могут вызвать заклинивание принадлежности в заготовке и привести к потере управления в случае возникновения обратного удара.
- ◆ **Не устанавливайте диски для пильных цепей или зубчатые режущие диски.** Такие круги часто вызывают отдачу и потерю управления инструментом.

Специальные меры безопасности при выполнении операций по шлифованию и резке с использованием абразивных кругов:

- ◆ **Используйте только такие типы кругов, которые рекомендованы для данного электроинструмента, а также специальные кожухи, предназначенные для конкретных кругов.** Круги, не предназначенные для работы с электроинструментом, не могут быть закрыты кожухами надлежащим образом и представляют собой опасность.
- ◆ **Шлифовальная поверхность кругов с утопленным центром должна быть ниже поверхности края кожуха.** Невозможно обеспечить надежную защиту при использовании кругов, выступающих за края защитного кожуха.
- ◆ **Кожух должен быть надежно закреплен на электроинструменте и находиться в положении, обеспечивающем максимальную защиту, чтобы минимально возможная часть круга находилась в одной плоскости с оператором.** Кожух помогает защитить оператора от отколовшихся фрагментов круга и случайного контакта с кругом, а также искр, от которых может загореться одежда.
- ◆ **Используйте круги для выполнения только рекомендованных типов работ.** Например: не выполняйте шлифование при помощи отрезного круга. Абразивные отрезные круги предназначены для работы периферией круга; боковая нагрузка, прилагаемая к таким кругам, может привести к их разрушению.
- ◆ **Всегда используйте исправные фланцы для кругов, размер и форма которых соответствуют конкретному кругу.** Соответствующие фланцы надежно фиксируют круг, что снижает вероятность его поломки. Фланцы для отрезных кругов могут отличаться от фланцев для шлифовальных кругов.

- ◆ **Не используйте сильно изношенные круги от электроинструментов больших размеров.** Круг, предназначенный для электроинструмента больших размеров, не подходит для более высокой скорости, на которой работает инструмент меньшего размера, и поэтому может разрушиться.

Дополнительные меры предосторожности при абразивной резке

- ◆ **Избегайте застревания отрезного круга в заготовке и не прилагайте чрезмерных усилий. Не пытайтесь выполнять разрез слишком большой глубины.** Слишком сильное нажатие на круг увеличивает нагрузку и возможность его деформации или заклинивания в заготовке, а также возможность возникновения отдачи или поломки круга.
- ◆ **Не стойте на одной линии с вращающимся кругом и позади него.** Если диск вращается в противоположном от вас направлении, то в случае отдачи, вращающийся диск и инструмент будут направлены непосредственно на вас.
- ◆ **В случае заклинивания диска или прекращения резки по какой-либо причине выключите электроинструмент и удерживайте его в неподвижном состоянии до полной остановки. Никогда не пытайтесь извлечь отрезной круг из разреза, когда он находится в движении. В противном случае, это может привести к возникновению отдачи.** Выясните причину и примите надлежащие меры по устранению причины заклинивания круга.
- ◆ **Не возобновляйте работу, когда круг находится внутри заготовки. Дождитесь, пока круг наберет полные обороты, и осторожно поместите его в начатый разрез.** В случае заклинивания, круг может подскочить вверх из детали или привести к отдаче при повторном запуске.
- ◆ **Для снижения риска заклинивания круга и отдачи обеспечьте надлежащую опору для длинных панелей или прочих заготовок большого размера.** Заготовки большого размера могут провисать под собственным весом. Опоры необходимо поместить под панель возле линии распила и возле края панели по обеим сторонам круга.
- ◆ **Соблюдайте повышенную осторожность при выполнении врезного пиления стен или в других слепых зонах.** Можно случайно перерезать газовые или водопроводные трубы, электрическую проводку, а также предметы, которые могут вызвать отдачу.

Меры безопасности при выполнении зачистки

- ◆ **Не используйте шлифовальную бумагу слишком большого размера. Соблюдайте рекомендации производителей, выбирая шлифовальную бумагу.**

Шлифовальная бумага, свисающая с диска, представляет угрозу разрыва и может привести к задиранию, износу диска или возникновению отдачи.

Меры безопасности при полировании

- ◆ **Не допускайте потери части шлифовальной юбки или свисания и закручивания бечевки. Уберите или отрежьте все выступающие концы завязок.** Свободно свисающие и закручивающиеся бечевки насадок могут зацепиться за пальцы или обрабатываемые детали.

Меры предосторожности при выполнении очистки проволочной щеткой

- ◆ **Имейте в виду, что проволочный ворс отлетает от щетки даже при нормальной эксплуатации. Не прижимайте щетку слишком сильно к обрабатываемой поверхности.** Проволочный ворс может без труда пробить одежду и/или кожу.
- ◆ **Если для работы проволочной щеткой рекомендуется использовать защитный кожух не допускайте прикосновения проволочной щетки или диска к кожуху.** Диск проволочной щетки может увеличиваться в диаметре в результате воздействия центробежных сил.



Внимание! Контакт с пылью или вдыхание пыли, которая может образоваться при шлифовании, представляет опасность здоровью оператора и тех, кто находится поблизости. Надевайте пылезащитную маску, которая специально предназначена для защиты от пыли и испарений, и обеспечивает защиту для людей, выполняющих данные работы или находящихся в зоне проведения работ.

Безопасность окружающих

- ◆ Данный инструмент могут использовать дети в возрасте от 8 лет и старше, а также лица с ограниченными физическими, сенсорными или умственными способностями или лица с недостаточным опытом и знаниями, если они находятся под наблюдением или действуют согласно указаниям в отношении безопасного использования устройства и понимают связанные с ним риски.
- ◆ Не позволяйте детям играть с инструментом. Чистку и обслуживание не должны выполнять дети, если они не находятся под присмотром.

Остаточные риски

При работе с данным инструментом возможно возникновение дополнительных остаточных рисков, которые не вошли в описанные здесь правила техники безопасности.

Эти риски могут возникнуть при неправильном или продолжительном использовании изделия и т. п. Несмотря на соблюдение соответствующих инструкций по технике безопасности и использование предохранительных устройств, некоторые остаточные риски невозможно полностью исключить. К ним относятся:

- ◆ Травмы в результате касания вращающихся/движущихся частей.
- ◆ Травмы, которые могут произойти в результате смены деталей, лезвий или дополнительных принадлежностей.
- ◆ Травмы, связанные с продолжительным использованием инструмента. При использовании любого инструмента в течение продолжительного периода времени, не забывайте делать перерывы.
- ◆ Ухудшение слуха.
- ◆ Ущерб здоровью в результате вдыхания пыли в процессе работы с инструментом (например, при обработке древесины, в особенности, дуба, бука и МДФ)

Вибрация

Заявленные значения вибрации указанные в технических спецификациях и заявлении о соответствии были измерены в соответствии с стандартным методом тестирования EN 60745 и могут быть использованы для сравнения инструментов. Заявленное значение эмиссии вибрации также может использоваться при предварительной оценке воздействия вибрации.

Внимание! Значение эмиссии вибрации в каждом конкретном случае применения электроинструмента может отличаться от заявленного в зависимости от того, каким образом используется инструмент. Уровень вибрации может быть выше заявленного.

При оценке уровня вибрации для определения степени безопасности, предусмотренного 2002/44/ЕС для защиты людей, регулярно пользующихся электроинструментом при работе, нужно принимать во внимание уровень вибрации, реальные условия использования и способ использования инструмента, а также учитывать все этапы цикла работы - когда инструмент выключается, когда он работает на холостом ходу, а также время переключения с одного режима на другой.

Условные обозначения на инструменте

Помимо кода даты на инструменте имеются следующие знаки:



Внимание! Во избежание риска получения травм, прочтите руководство по эксплуатации.



При работе с инструментом надевайте защитные очки или маску.



Работая с инструментом надевайте наушники.

Дополнительные меры безопасности при работе с аккумуляторными батареями и зарядными устройствами

Аккумуляторные батареи

- ◆ Никогда не пытайтесь разобрать аккумуляторные батареи.
- ◆ Не подвергайте аккумуляторные батареи воздействию воды.
- ◆ Не оставляйте в местах, где температура превышает 40 °С.
- ◆ Заряжайте только при температуре 10 °С - 40 °С.
- ◆ Заряжайте аккумуляторные батареи только с зарядным устройством, которое прилагается к инструменту.
- ◆ При утилизации батарей следуйте инструкциям, указанным в разделе «Защита окружающей среды».



Не пытайтесь заряжать поврежденные аккумуляторные батареи.

Зарядные устройства

- ◆ Используйте свое зарядное устройство Stanley только для зарядки аккумуляторной батареи инструмента, с которым оно поставлялось. Использование аккумуляторных батарей другого типа может привести к взрыву, травмам и повреждениям.
- ◆ Не пытайтесь заряжать одноразовые батареи.
- ◆ Немедленно заменяйте поврежденный кабель питания.
- ◆ Не подвергайте зарядное устройство воздействию воды.
- ◆ Не вскрывайте зарядное устройство.
- ◆ Не разбирайте зарядное устройство.



Зарядное устройство можно использовать только в помещении.



Перед началом работы прочтите руководство по эксплуатации.

Электробезопасность



Ваше зарядное устройство имеет двойную изоляцию, поэтому не требует заземления. Необходимо обязательно убедиться в том, что напряжение источника питания соответствует указанному на паспортной табличке устройства. Никогда не пытайтесь заменить зарядное устройство на обычную сетевую вилку.

- ◆ Если повреждена сетевая кабель, его нужно заменить у производителя или в авторизованном сервисном центре Stanley, чтобы избежать проблем.

Составные элементы (Комплектация)

Ваш инструмент может содержать все или некоторые из перечисленных ниже составных частей.

1. Кнопка блокировки
2. Курковый пусковой выключатель
3. Боковая рукоятка
4. Кнопка блокировки шпинделя
5. Защитный кожух
6. Шлифовальный круг
7. Аккумулятор (не входит в комплект поставки)
8. Ключ с двумя штифтами

Рис. А

9. Зарядное устройство (не входит в комплект поставки)
10. Индикатор заряда

Использование

Внимание! Инструмент должен работать в обычном режиме. Избегайте перегрузок.

- ◆ Будьте готовы к потоку искр когда шлифовальный или отрезной диск касается заготовки.
- ◆ Всегда размещайте инструмент таким образом, чтобы защитный кожух обеспечивал оптимальную защиту при работе шлифовальным или отрезным диском.

Зарядка аккумуляторной батареи (Рис. А)

Аккумуляторную батарею нужно заряжать перед первым использованием и каждый раз, когда заряда недостаточно для выполняемых работ. Во время зарядки аккумуляторная батарея нагревается, это нормально и не означает неисправность.

Внимание! Не заряжайте батарею при температуре окружающей среды ниже 10 °C или выше 40 °C. Рекомендуемая температура при зарядке: приблизительно 24 °C.

Примечание: Зарядное устройство не будет заряжать аккумуляторную батарею, если температура элемента аккумуляторной батареи ниже 10 °C или выше 40 °C.

Аккумуляторную батарею нужно оставить в зарядном устройстве; зарядка начнется автоматически, когда температура элемента аккумуляторной батареи выровняется до нормальных значений.

- ◆ Чтобы зарядить аккумуляторную батарею, вставьте батарею (7) в зарядное устройство (9). Аккумуляторная батарея устанавливается в зарядное устройство только одним способом. Не прилагайте чрезмерные усилия. Проследите, чтобы батарея полностью вошла в зарядное устройство.
- ◆ Подключите зарядное устройство к сети и включите его.

Начнет мигать индикатор зарядки (10).

Зарядка завершена если индикатор зарядки (10) будет непрерывно гореть. Зарядное устройство и аккумуляторную батарею можно оставить подключенными на неопределенное время. Светодиод будет включаться по мере периодической полной зарядки зарядным устройством.

- ◆ Заряжайте разряженные батареи 1 раз в неделю. Срок службы аккумуляторной батареи значительно уменьшается, если ее хранить в разряженном состоянии.

Хранение аккумуляторной батареи в зарядном устройстве

Зарядное устройство и аккумуляторную батарею можно оставить подключенными к сети с горящим светодиодным индикатором. Зарядное устройство будет поддерживать полную зарядку аккумуляторной батареи.

Диагностика зарядного устройства

При обнаружении слабости или повреждения аккумуляторной батареи, индикатор зарядки (10) начнет мигать красным светом в ускоренном режиме. Выполните следующие действия:

- ◆ Извлеките и повторно вставьте батарею (7).
- ◆ Если индикатор продолжает часто мигать красным светом, вставьте другую аккумуляторную батарею, чтобы убедиться, что процесс зарядки проходит в правильном режиме.
- ◆ Если сменная аккумуляторная батарея заряжается правильно, это означает, что первоначальная аккумуляторная батарея повреждена и должна быть сдана в сервисный центр на утилизацию.
- ◆ Если при установке сменной батареи наблюдается то же частое мигание, что и при установке первоначальной батареи, отнесите зарядное устройство в сервисный центр для тестирования.

Примечание: На определение неисправности аккумуляторной батареи может понадобиться приблизительно 30 минут. Если аккумуляторная батарея очень горячая или очень холодная, красный светодиод

будет попеременно мигать быстро и медленно.

Включение и выключение

- ◆ Чтобы включить инструмент, переместите кнопку блокировки (1) вперед, затем нажмите и удерживайте курковый пусковой выключатель (2).
- ◆ Чтобы выключить инструмент, отпустите курковый пусковой выключатель (2).

Внимание! Не включайте и не выключайте инструмент под нагрузкой.

Внимание! Всегда перемещайте кнопку блокировки (1) назад в положение блокировки, когда инструмент не используется.

Советы по оптимальному использованию

- ◆ Крепко держите инструмент одной рукой за боковую рукоятку, а другой рукой за основную ручку.

Шлифование поверхности шлифовальными кругами

- ◆ Дождитесь, пока инструмент наберет полные обороты, прежде чем прикасаться им к обрабатываемой поверхности.
- ◆ Прилагайте минимальное давление к заготовке, позволяя инструменту работать на высокой скорости. Чем выше частота оборотов инструмента, тем быстрее происходит шлифование.
- ◆ Соблюдайте угол в 20° - 30° между инструментом и заготовкой.
- ◆ Постепенно перемещайте инструмент вперед и назад, чтобы предотвратить образование неровностей на поверхности заготовки.
- ◆ Поднимайте инструмент от обрабатываемой поверхности перед его выключением. Прежде чем положить инструмент, дождитесь его остановки.

Шлифование кромок шлифовальными кругами

При выполнении отрезов или глубокого шлифования круги для шлифования кромок и отрезные круги могут разрушиться или привести к отдаче в случае изгибания или скручивания. Для снижения риска травм используйте только те круги, которые подходят для кожуха типа 27, выполняя неглубокие отрезные работы и нанесение насечек (глубиной не более 13 мм). Открытая часть кожуха должна быть направлена от оператора. Для более глубоких отрезных работ используйте отрезной круг типа 1 с закрытым кожухом типа 1. См. Таблицу принадлежностей для шлифования и резки в конце языкового раздела.

- ◆ Дождитесь, пока инструмент наберет полные обороты, прежде чем прикасаться им к обрабатываемой поверхности.
- ◆ Прилагайте минимальное давление на рабочую поверхность, чтобы инструмент работал на высоких

оборотах. Чем выше частота оборотов инструмента, тем быстрее происходит шлифование.

- ◆ Располагайтесь таким образом, чтобы открытая нижняя часть круга была направлена в сторону от вас.
- ◆ После начала резки и образования надреза на обрабатываемой детали не меняйте угол резки. Изменение угла приведет к изгибанию круга и может привести к его разрушению. Шлифовальные круги для обработки кромок не предназначены для выдерживания боковых нагрузок.
- ◆ Поднимите инструмент от обрабатываемой поверхности перед его выключением. Прежде чем положить инструмент, дождитесь его остановки.

Запрещается использовать круги для шлифования кромок/отрезные круги для шлифования поверхностей, так как они не рассчитаны на боковые нагрузки. Это может привести к разрушению круга и личным травмам.

Отделка поверхности шлифовальными веерными дисками

- ◆ Дождитесь, пока инструмент наберет полные обороты, прежде чем прикасаться им к обрабатываемой поверхности.
- ◆ Прилагайте минимальное давление на рабочую поверхность, чтобы инструмент работал на высоких оборотах. Чем выше частота оборотов инструмента, тем быстрее происходит шлифование.
- ◆ Соблюдайте угол в 5° - 10° между инструментом и заготовкой.
- ◆ Постепенно перемещайте инструмент вперед и назад, чтобы предотвратить образование неровностей на поверхности заготовки.
- ◆ Поднимайте инструмент от обрабатываемой поверхности перед его выключением. Прежде чем положить инструмент, дождитесь его остановки.

Использование дисков-подшв для шлифования

Подбирайте шлифовальные диски с подходящим абразивным зерном в зависимости от применения. Имеются шлифовальные диски с абразивным зерном разного размера. Абразивное зерно большого размера подходит для быстрого удаления материала и грубой обработки поверхности. Абразивное зерно меньшего размера удаляет материал медленнее, но поверхность получается более гладкой. Начинайте обработку шлифовальными дисками с крупным абразивным зерном. Затем перейдите к шлифовальным дискам со средним абразивным зерном, и, наконец — малым абразивным зерном.

- ◆ Крупн. 16–30 зернист.
- ◆ Средн. 36–80 зернист.

- ◆ Мелк. 100–120 зернист.
- ◆ Очень мелк. 150–180 зернист.
- ◆ Дождитесь, пока инструмент наберет полные обороты, прежде чем прикасаться им к обрабатываемой поверхности.
- ◆ Прилагайте минимальное давление на рабочую поверхность, чтобы инструмент работал на высоких оборотах. Чем выше частота оборотов инструмента, тем быстрее происходит шлифование.
- ◆ Соблюдайте угол в 5° - 15° между инструментом и заготовкой. Шлифовальный диск должен касаться приблизительно 25 мм обрабатываемой поверхности.
- ◆ Перемещайте инструмент по прямой линии, предотвращая появление ожогов и царапин на обрабатываемой поверхности. Длительное удержание инструмента на одном месте, а также круговые движения по поверхности приводят к образованию отметок ожога и спиральных царапин.
- ◆ Поднимайте инструмент от обрабатываемой поверхности перед его выключением. Прежде чем положить инструмент, дождитесь его остановки.

Использование чашеобразных проволочных щеток и проволочных дисков

Проволочные диски можно использовать для удаления коррозии и краски, а также для выравнивания неровных поверхностей.

Примечание: При обрабатывании окрашенных поверхностей проволочной щеткой применимы те же меры предосторожности что и при шлифовании окрашенных поверхностей.

- ◆ Дождитесь, пока инструмент наберет полные обороты, прежде чем прикасаться им к обрабатываемой поверхности.
- ◆ Прилагайте минимальное давление на рабочую поверхность, чтобы инструмент работал на высоких оборотах. Чем выше частота оборотов инструмента, тем быстрее происходит удаление материала.
- ◆ При работе с чашеобразными проволочными щетками поддерживайте угол в 5° - 10° между инструментом и заготовкой.
- ◆ При работе с проволочными дисками прижимайте край диска к рабочей поверхности.
- ◆ Постепенно перемещайте инструмент вперед и назад, чтобы предотвратить образование неровностей на поверхности заготовки. Длительное удержание инструмента на одном месте, а также круговые движения по поверхности приводят к образованию отметок ожога и спиральных царапин.
- ◆ Поднимите инструмент от обрабатываемой поверхности перед его выключением. Прежде чем положить инструмент, дождитесь его полной остановки.

Соблюдайте особую осторожность при работе вблизи

краев, так как при этом увеличена вероятность резкого смещения инструмента.

Меры предосторожности при зачистке или очистке проволочными щетками окрашенных поверхностей

- ◆ Зачистка заготовок, покрашенных краской на основе свинца, НЕ РЕКОМЕНДУЕТСЯ из-за образующейся вредной пыли. Наибольшую опасность отравление свинцом представляет для детей и беременных женщин.
- ◆ Так как определение наличия свинца в краске без проведения химического анализа достаточно сложно, мы рекомендуем соблюдать следующие меры предосторожности при выполнении наждачной чистки окрашенных поверхностей:

Обеспечение индивидуальной безопасности

- ◆ В рабочей зоне, где производится шлифовка, не должны находиться дети и беременные женщины, пока место проведения работ не будет полностью очищено.
- ◆ Все люди, входящие в рабочую зону, должны надевать пылезащитные маски или респираторы. Фильтр следует заменять ежедневно или всякий раз, когда у пользователя возникают трудности с дыханием.

Примечание: Допускается использование только тех пылезащитных масок, которые подходят для работы с пылью и парами свинцовой краски. Стандартные маски для работы с краской не предлагают эту защиту. Купите в строительном магазине защитную маску утвержденного типа.

- ◆ Чтобы предотвратить попадание загрязненных частиц краски в организм, запрещается ЕСТЬ, ПИТЬ и КУРИТЬ в месте проведения работ. ПЕРЕД тем как поесть, попить или покурить, рабочие должны тщательно смыть с себя пыль. Запрещается оставлять продукты питания, питьевые жидкости и сигареты в местах, где на них может осесть пыль.

Экологическая безопасность

- ◆ Краску следует удалять таким образом, чтобы свести к минимуму количество образуемой пыли.
- ◆ Рабочая зона, в которой происходит удаление краски, должна быть запечатана пластиковой пленкой толщиной не менее 4 мил.
- ◆ Зачистку следует проводить таким образом, чтобы пыль краски не покидала зону проведения работ.

Чистка и утилизация

- ◆ Все поверхности в рабочей зоне должны быть тщательно очищены и пропылесосены на протяжении проведения работ. Заменяйте пылесборники как можно чаще.

- ◆ Пленку необходимо собирать и утилизировать вместе с пылевой стружкой и другим мусором. Они должны быть помещены в герметичные мешки для мусора и утилизированы в рамках стандартной процедуры сбора мусора. Во время выполнения работ по очистке детей и беременным женщинам запрещается входить в место проведения работ.
- ◆ Все игрушки, моющаяся мебель и посуда, используемые детьми, должны быть тщательно вымыты перед использованием.

Использование отрезных кругов

Запрещается использовать круги для шлифования кромок/отрезные круги для шлифования поверхностей, так как они не рассчитаны на боковые нагрузки.

Это может привести к разрушению круга и личным травмам.

- ◆ Дождитесь, пока инструмент наберет полные обороты, прежде чем прикасаться им к обрабатываемой поверхности.
- ◆ Прилагайте минимальное давление на рабочую поверхность, чтобы инструмент работал на высоких оборотах. Чем выше частота оборотов инструмента, тем быстрее происходит отрезание.
- ◆ После начала резки и образования надреза на обрабатываемой детали не меняйте угол резки. Изменение угла приведет к изгибанию круга и может привести к его разрушению.
- ◆ Поднимайте инструмент от обрабатываемой поверхности перед его выключением. Прежде чем положить инструмент, дождитесь его полной остановки.

Техническое обслуживание

Ваш инструмент Stanley рассчитан на работу в течение продолжительного времени при минимальном техническом обслуживании. Срок службы и надежность инструмента увеличивается при правильном уходе и регулярной чистке.

Зарядное устройство не требует никакого обслуживания кроме регулярной чистки.

Внимание! Перед выполнением любых работ по обслуживанию проводных/беспроводных инструментов:

- ◆ Выключите и отключите от сети устройство/инструмент.
- ◆ Или выключите устройство/инструмент и извлеките аккумуляторную батарею, если он оснащен отдельной аккумуляторной батареей.
- ◆ Или полностью выработайте заряд аккумуляторной батареи, если она встроенная и затем выключите инструмент.
- ◆ Перед чисткой зарядного устройства отключите его от источника питания. Зарядное устройство не требует

никакого обслуживания кроме регулярной чистки.

- ◆ Регулярно очищайте вентиляционные отверстия зарядного устройства с помощью мягкой щетки или сухой тканевой салфетки.
- ◆ Регулярно очищайте корпус двигателя с помощью влажной ткани. Не используйте никакие абразивные чистящие средства или средства на основе растворителей.
- ◆ Регулярно открывайте патрон и сверху очищайте ее от грязи (после установки).

Защита окружающей среды



Отдельная утилизация. Изделия и аккумуляторные батареи с данным символом на маркировке запрещается утилизировать с обычными бытовыми отходами.

Изделия и аккумуляторные батареи содержат материалы, которые могут быть извлечены или переработаны, снижая потребность в исходном сырье.

Пожалуйста, утилизируйте электрические изделия и аккумуляторные батареи в соответствии с местными нормами. Дополнительная информация доступна по адресу www.2helpU.com.

Технические характеристики

STSC1840		
Напряжение	В _{пост. тока}	18
Скорость без нагрузки	Мин ⁻¹	9000
Диаметр диска	мм	125
Диаметр посадочного отверстия	мм	22
Максимальная толщина диска		
шлифовальные диски	мм	6
отрезные диски	мм	3,5
Диаметр шпинделя		M14
Длина шпинделя (с установленным внутренним фланцем)	мм	14
Длина шпинделя (без установленного внутреннего фланца)	мм	19,5
Вес	кг	2,0

Зарядное устройство		не входит в комплект поставки
Входное напряжение	В _{пер. ток}	
Выходное напряжение	В _{пост. ток}	
Ток	А	
Приблизительное время зарядки	мин.	

Аккумуляторная батарея		не входит в комплект поставки
Напряжение	В _{пер. ток}	
Емкость	Ач	
Тип		

Уровень звукового давления в соответствии с EN 60745:
Звуковое давление (L_{pA}) 80,5 дБ(А), погрешность (К) 3 дБ(А)
Акустическая мощность (L_{WA}) 91,5 дБ(А), погрешность (К) 3 дБ(А)
Сумма величин вибрации (сумма векторов по трем осям), измеренных в соответствии со стандартом EN 60745:
Шлифование поверхностей ($a_{h,sg}$) 3,9 м/с ² , погрешность (К) 1,5 м/с ²
Полировка ($a_{h,p}$) 2,0 м/с ² , погрешность (К) 1,5 м/с ²
Зачистка диском ($a_{h,os}$) 4,5 м/с ² , погрешность (К) 1,5 м/с ²

Внимание! При выполнении таких операций как резка или очистка проволочной щеткой уровень вибрации может иметь разные значения.



Приложение к руководству по эксплуатации электрооборудования для определения месяца производства по номеру текущей календарной недели года

Электрооборудование торговых марок "Dewalt", "Stanley", "Stanley FatMAX", "BLACK+DECKER".

Директивы 2014/30/EU ЕВРОПЕЙСКОГО ПАРЛАМЕНТА И СОВЕТА от 26 февраля 2014 г. "О гармонизации законодательств Государств-членов ЕС в области электромагнитной совместимости", 2006/42/ЕС ЕВРОПЕЙСКОГО ПАРЛАМЕНТА И СОВЕТА от 17 мая 2006 г. "О машинах и оборудовании"; 2014/35/EU ЕВРОПЕЙСКОГО ПАРЛАМЕНТА И СОВЕТА от 26 февраля 2014 г. "О гармонизации законодательств государств-членов в области размещения на рынке электрооборудования, предназначенного для использования в определенных пределах напряжения". Серийный выпуск.

ТОВАР СЕРТИФИЦИРОВАН

Орган по сертификации "РОСТЕСТ- Москва", Адрес: 119049, г. Москва, улица Житная, д. 14, стр. 1; 117418, Москва, Нахимовский просп., 31 (фактический), Телефон: (499) 1292311, (495) 6682893, Факс: (495) 6682893, E-mail: office@rostest.ru
Изготовитель: Изготовитель: Блэк энд Деккер Холдингс ГмбХ, Германия, 65510, Идштайн, ул. Блэк энд Деккер, 40, тел. +496126212790.

Уполномоченное изготовителем юр.лицо:

ООО "Стэнли Блэк энд Деккер", 117485, город Москва, улица Обручева, дом 30/1, строение 2
Телефон: + 7 (495) 258-3981, факс: + 7 (495) 258-3984, E-mail: inbosh@dewalt.com
Сведения о импортере указаны в сопроводительной документации и/или на упаковке

Хранение.

Необходимо хранить в сухом месте, вдали от источников повышенных температур и воздействия солнечных лучей. При хранении необходимо избегать резкого перепада температур. Хранение без упаковки не допускается

Срок службы.

Срок службы изделия составляет 5 лет. Не рекомендуется к эксплуатации по истечении 5 лет хранения с даты изготовления без предварительной проверки.

Дата изготовления (код даты) указана на корпусе инструмента.

Код даты, который также включает год изготовления, оштампован на поверхности корпуса изделия.

Пример:

2014 46 XX, где 2014 –год изготовления, 46-неделя изготовления.

Определить месяц изготовления по указанной неделе изготовления можно согласно приведенной ниже таблице.

Транспортировка.

Категорически не допускается падение и любые механические воздействия на упаковку при транспортировке. При разгрузке/погрузке не допускается использование любого вида техники, работающей по принципу зажима упаковки.

Перечень критических отказов, возможные ошибочные действия персонала.

Не допускается эксплуатация изделия:

- При появлении дыма из корпуса изделия
 - При поврежденном и/или оголенном сетевом кабеле
 - при повреждении корпуса изделия, защитного кожуха, рукоятки
 - при попадании жидкости в корпус
 - при возникновении сильной вибрации
 - при возникновении сильного искрения внутри корпуса
- Критерии предельных состояний.**
- При поврежденном и/или оголенном сетевом кабеле
 - при повреждении корпуса изделия

Месяц	Январь	Февраль	Март	Апрель	Май	Июнь	Июль	Август	Сентябрь	Октябрь	Ноябрь	Декабрь	Год производства
Неделя	1	5	9	14	18	23	27	31	36	40	44	49	2018
	2	6	10	15	19	24	28	32	37	41	45	50	
	3	7	11	16	20	25	29	33	38	42	46	51	
	4	8	12	17	21	26	30	34	39	43	47	52	
Неделя			13		22			35				48	2019
	1	6	10	14	18	23	27	31	36	40	45	49	
	2	7	11	15	19	24	28	32	37	41	46	50	
	3	8	12	16	20	25	29	33	38	42	47	51	
	4	9	13	17	21	26	30	34	39	43	48	52	
Неделя					22			35		44			2020
	1	6	10	14	19	23	27	32	36	40	45	49	
	2	7	11	15	20	24	28	33	37	41	46	50	
	3	8	12	16	21	25	29	34	38	42	47	51	
	4	9	13	17	22	26	30	35	39	43	48	52	
Неделя				18			31			44			2021
	2	6	10	14	19	23	27	32	36	41	45	49	
	3	7	11	15	20	24	28	33	37	42	46	50	
	4	8	12	16	21	25	29	34	38	43	47	51	
	5	9	13	17	22	26	30	35	39	44	48	52	
Неделя					18				40			1	2022
	2	6	10	15	19	23	28	32	36	41	45	49	
	3	7	11	16	20	24	29	33	37	42	46	50	
	4	8	12	17	21	25	30	34	38	43	47	51	
	5	9	13	18	22	26	31	35	39	44	48	52	
			14						40			1	

Информация об инструменте

Наименование инструмента	
Модель	
Наименование продавца	
Дата продажи	

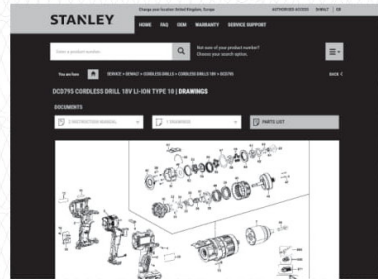
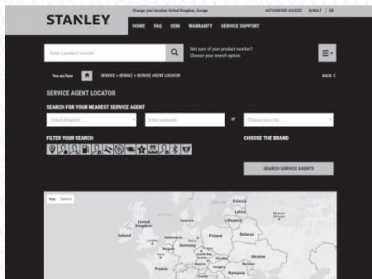
М.П.
Продавца

Серийный номер / Дата производства

Инструмент	
Зарядное устройство	
Аккумулятор 1	
Аккумулятор 2	

На сайте www.2helpU.com доступны следующие функции:

- Список авторизованных сервисных центров
- Удобный поиск ближайшего сервисного центра
- Руководство по эксплуатации
- Технические характеристики
- Список деталей и запасных частей
- Схема сборки инструмента



Также данную информацию вы можете получить, позвонив по телефону:
8(800) 1000 876

ОТМЕТКА О ПРОВЕДЕНИИ СЕРВИСНОГО ОБСЛУЖИВАНИЯ

№1	№2	№3	№4
№ заказа	№ заказа	№ заказа	№ заказа
Дата поступления	Дата поступления	Дата поступления	Дата поступления
Дата ремонта	Дата ремонта	Дата ремонта	Дата ремонта
Печать и подпись сервисного центра	Печать и подпись сервисного центра	Печать и подпись сервисного центра	Печать и подпись сервисного центра

