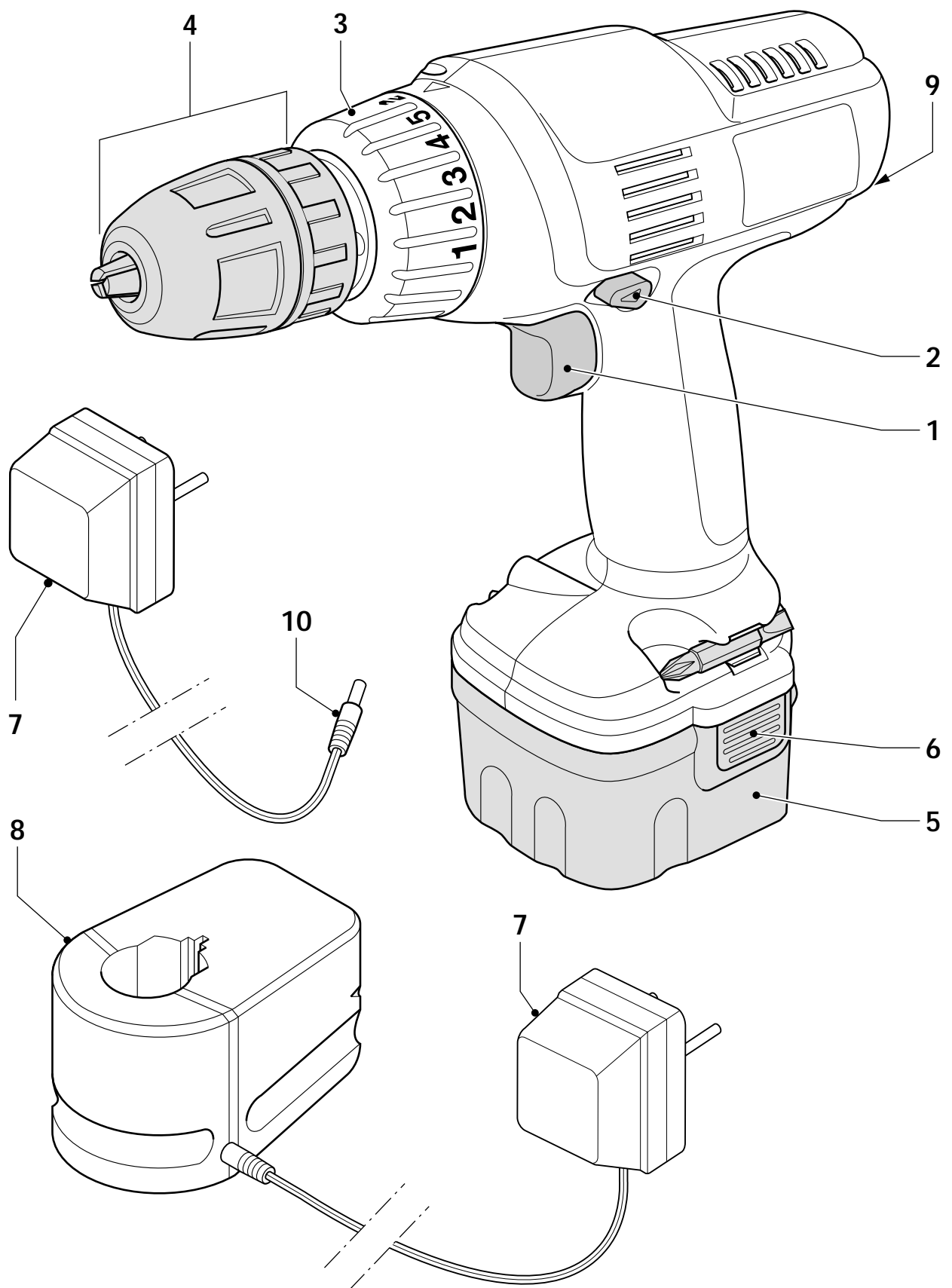
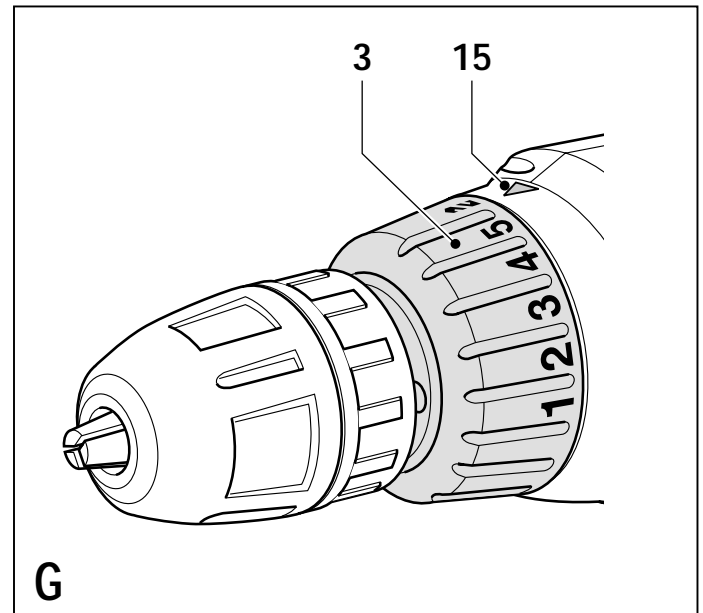
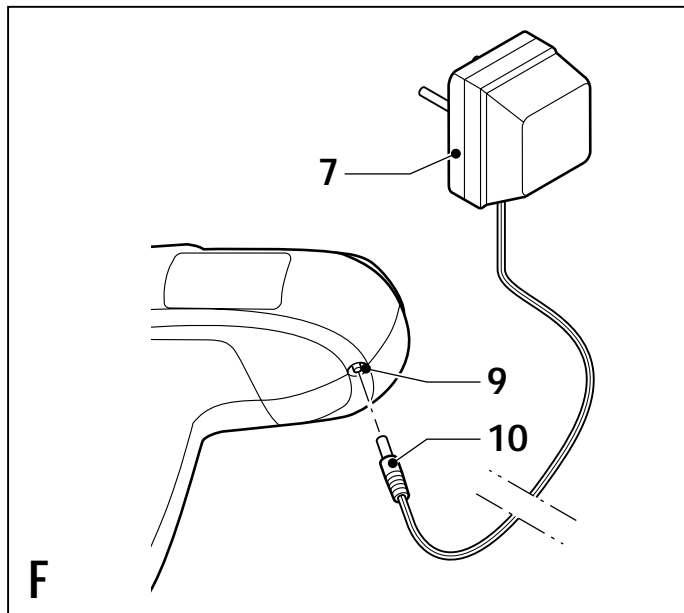
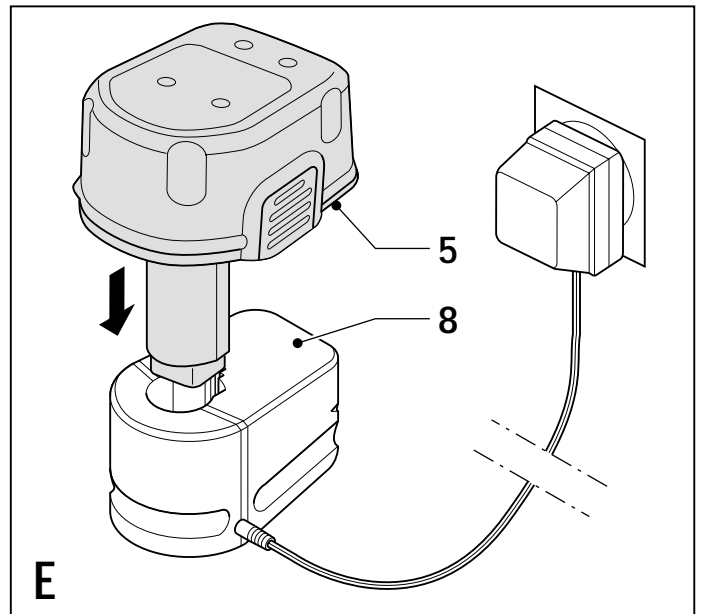
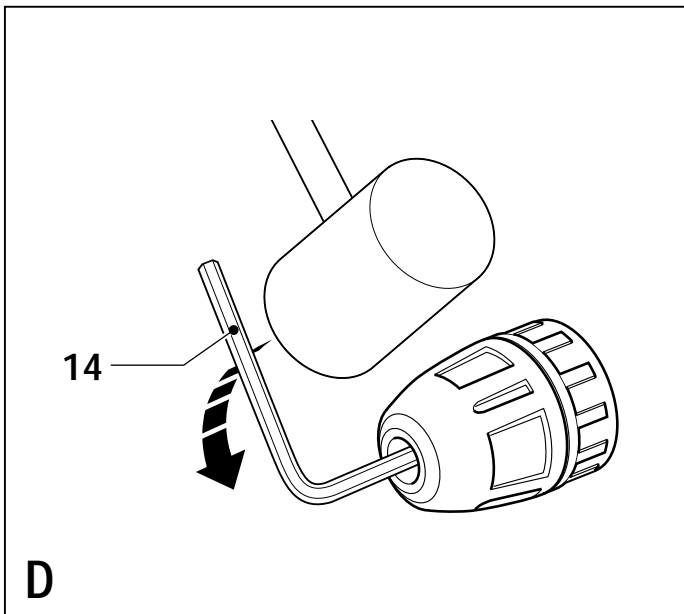
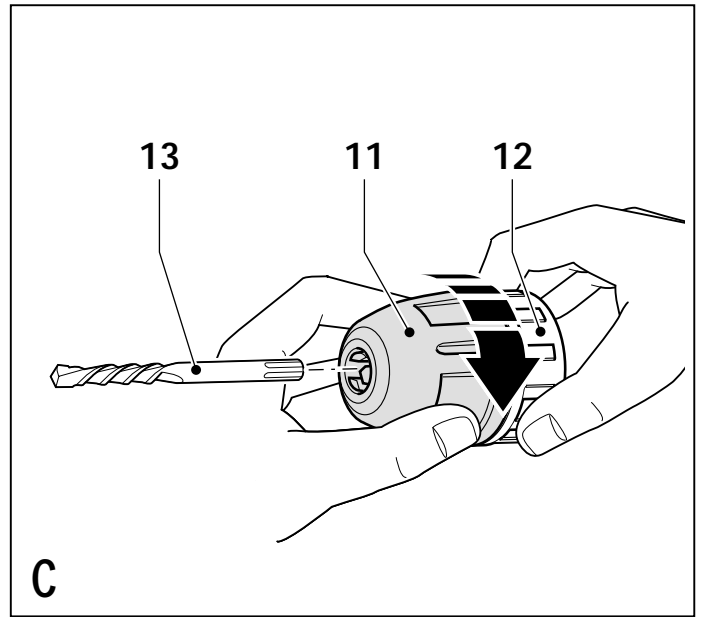
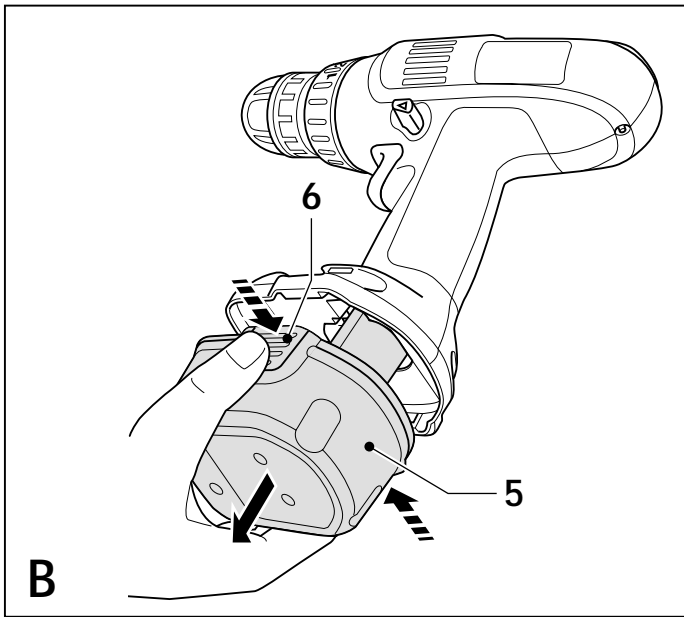


English	4
Deutsch	8
Français	13
Italiano	18
Nederlands	23
Español	28
Português	33
Svenska	38
Norsk	42
Dansk	46
Suomi	51
Ελληνικά	55



A



## Intended use

Your Black & Decker drill/screwdriver has been designed for screwdriving applications and for drilling in wood, metal and plastics.

This tool is intended for consumer use only.

Your Black & Decker charger has been designed for charging Black & Decker batteries of the type supplied with this tool.

## Safety instructions

- ◆ **Warning!** When using battery-powered tools, basic safety precautions, including the following, should always be followed to reduce the risk of fire, leaking batteries, personal injury and material damage.
- ◆ Read all of this manual carefully before operating the tool.
- ◆ Retain this manual for future reference.

### Keep work area clean

Cluttered areas and benches can cause accidents.

### Consider work area environment

Do not expose the tool to rain. Do not use the tool in damp or wet conditions. Keep the work area well lit. Do not use the tool where there is a risk of causing fire or explosion, e.g. in the presence of flammable liquids and gases.

### Keep children away

Do not allow children, visitors or animals to come near the work area or to touch the tool.

### Dress properly

Do not wear loose clothing or jewellery, as these can be caught in moving parts. Preferably wear rubber gloves and non-slip footwear when working outdoors. Wear protective hair covering to keep long hair out of the way.

### Personal protection

Always use safety glasses. Use a face or dust mask whenever the operations may produce dust or flying particles. Hearing protection should be worn.

### Do not overreach

Keep proper footing and balance at all times.

### Stay alert

Watch what you are doing. Use common sense. Do not operate the tool when you are tired.

### Secure workpiece

Use clamps or a vice to hold the workpiece. It is safer and it frees both hands to operate the tool.

### Connect dust extraction equipment

If devices are provided for the connection of dust extraction and collection facilities, ensure that these are connected and properly used.

### Remove adjusting keys and wrenches

Always check that adjusting keys and wrenches are removed from the tool before operating the tool.

### Use appropriate tool

The intended use is described in this instruction manual.

Do not force small tools or attachments to do the job of a heavy-duty tool. The tool will do the job better and safer at the rate for which it was intended. Do not force the tool.

**Warning!** The use of any accessory or attachment or performance of any operation with this tool other than those recommended in this instruction manual may present a risk of personal injury.

### Check for damaged parts

Before use, carefully check the tool for damage. Check for misalignment and seizure of moving parts, breakage of parts, damage to guards and switches and any other conditions that may affect its operation. Ensure that the tool will operate properly and perform its intended function. Do not use the tool if any part is damaged or defective. Do not use the tool if the switch does not turn it on and off. Have any damaged or defective parts repaired or replaced by an authorised repair agent. Never attempt any repairs yourself.

### Remove the battery

Where the design permits, remove the battery when the tool is not in use, before changing any parts of the tool, accessories or attachments and before servicing.

### Avoid unintentional starting

Do not carry the tool with a finger on the on/off switch. Be sure that the tool is switched off when inserting the battery into the tool.

### Do not abuse cord

Never carry the charger by its cord or pull it to disconnect from the socket. Keep the cord away from heat, oil and sharp edges.

### Store idle tools

When not in use, tools, batteries and chargers should be stored in a dry, locked up or high place, out of reach of children.

### Maintain tools with care

Keep cutting tools sharp and clean for better and safer performance. Follow the instructions for maintenance and changing accessories. Keep handles and switches dry, clean and free from oil and grease.

### Repairs

This tool complies with relevant safety requirements. Repairs should only be carried out by qualified persons using original spare parts; otherwise this may result in considerable danger to the user.

## Additional safety instructions for batteries and chargers

### Batteries

- ◆ Never attempt to open for any reason.
- ◆ Do not expose the battery to water.
- ◆ Do not store in locations where the temperature may exceed 40 °C.
- ◆ Charge only at ambient temperatures between 4 °C and 40 °C.
- ◆ Charge only using the charger provided with the tool.

- ◆ When disposing of batteries, follow the instructions given in the section "Protecting the environment".
- ◆ Under extreme conditions, battery leakage may occur. When you notice liquid on the battery, proceed as follows:
  - Carefully wipe the liquid off using a cloth. Avoid skin contact.
  - In case of skin or eye contact, follow the instructions below.

**Warning!** The battery fluid, a 25-30% solution of potassium hydroxide, can be harmful. In case of skin contact, immediately rinse with water. Neutralise with a mild acid such as lemon juice or vinegar. In case of eye contact, rinse abundantly with clean water for at least 10 minutes. Consult a physician.



Fire hazard! Avoid short-circuiting the contacts of a detached battery (e.g. when storing the battery in a toolbox).



Do not incinerate the battery.



Do not attempt to charge damaged batteries.

### Chargers

- ◆ Use your Black & Decker charger only to charge batteries of the type supplied with your tool. Other batteries could burst, causing personal injury and damage.
- ◆ Never attempt to charge non-rechargeable batteries.
- ◆ Have defective cords replaced immediately.
- ◆ Do not expose to water.
- ◆ Do not open the charger.
- ◆ Do not probe the charger.



The charger is intended for indoor use only.

### Electrical safety



Your charger is double insulated; therefore no earth wire is required. Always check that the mains voltage corresponds to the voltage on the rating plate. Never attempt to replace the charger unit with a regular mains plug.

### Features (fig. A)

This tool includes some or all of the following features.

1. Variable speed switch or two-speed on/off switch
2. Forward/reverse slider
3. Mode selector / torque adjustment collar
4. Chuck
5. Battery
6. Battery release button

7. Charger
8. Charging base
9. Charger connector
10. Charger plug

### Assembly

#### Fitting and removing the battery (fig. B)

- ◆ To fit the battery (5), line it up with the receptacle on the tool. Slide the battery into the receptacle and push until the battery snaps into place.
- ◆ To remove the battery, push the two release buttons (6) simultaneously while at the same time pulling the battery out of the receptacle.

#### Fitting and removing a drill bit or screwdriver bit (fig. A & C)

**Warning!** First remove the battery from the tool.

This tool is fitted with a keyless chuck to allow for an easy exchange of bits.

- ◆ Lock the tool by setting the forward/reverse slider (2) to the centre position (fig. A).
- ◆ Open the chuck by turning the front part (11) with one hand while holding the rear part (12) with the other (fig. C).
- ◆ Insert the bit shank (13) into the chuck.
- ◆ Firmly tighten the chuck by turning the front part (11) with one hand while holding the rear part (12) with the other.

#### Removing and refitting the chuck (fig. D)

- ◆ Open the chuck as far as possible.
- ◆ Remove the chuck retaining screw by turning it clockwise using a screwdriver.
- ◆ Tighten an Allen key (14) into the chuck and strike it with a hammer as shown.
- ◆ Remove the Allen key.
- ◆ Remove the chuck by turning it counterclockwise.
- ◆ To refit the chuck, screw it onto the spindle and secure it with the chuck retaining screw.

### Use

#### Charging the battery

The battery needs to be charged before first use and whenever it fails to produce sufficient power on jobs that were easily done before. A new battery, or a battery that has not been used for an extended period of time, achieves full performance only after approx. 5 charging and discharging cycles. The battery may become warm while charging; this is normal and does not indicate a problem.

**Warning!** Do not charge the battery at ambient temperatures below 4 °C or above 40 °C. Recommended charging temperature: approx. 24 °C.

#### Charger with charging base (fig. E)

- ◆ To charge the battery (5), remove it from the tool and insert it into the charging base (8). The battery will only fit into the charging base in one way. Do not force. Be sure that the battery is fully seated in the charging base.
- ◆ Plug in the charger.

After normal use, a charging time of 3 hours will provide sufficient power for most applications. However, further charging for up to 6 hours could significantly increase the use time, depending on the battery and charging conditions.

- ◆ Remove the battery from the charger.

#### Charger without charging base (fig. F)

- ◆ To charge the battery, make sure that it is fitted on the drill.
- ◆ Insert the charger plug (10) into the connector (9).
- ◆ Plug in the charger. Switch on at the mains.

After normal use, a charging time of 3 hours will provide sufficient power for most applications. However, further charging for up to 6 hours could significantly increase the use time, depending on the battery and charging conditions.

- ◆ Disconnect the tool from the charger.

**Warning!** Do not use the tool while it is connected to the charger.


#### Selecting the direction of rotation (fig. A)

For drilling and for tightening screws, use forward (clockwise) rotation. For loosening screws or removing a jammed drill bit, use reverse (counterclockwise) rotation.

- ◆ To select forward rotation, push the forward/reverse slider (2) to the left.
- ◆ To select reverse rotation, push the forward/reverse slider to the right.
- ◆ To lock the tool, set the forward/reverse slider into the centre position.

#### Selecting the operating mode or torque (fig. G)

This tool is fitted with a collar to select the operating mode and to set the torque for tightening screws. Large screws and hard workpiece materials require a higher torque setting than small screws and soft workpiece materials. The collar has a wide range of settings to suit your application.

- ◆ For drilling in wood, metal and plastics, set the collar (3) to the drilling position by aligning the symbol  with the marking (15).
- ◆ For screwdriving, set the collar to the desired setting. If you do not yet know the appropriate setting, proceed as follows:
  - ◆ Set the collar (3) to the lowest torque setting.

- ◆ Tighten the first screw.
- ◆ If the clutch ratchets before the desired result is achieved, increase the collar setting and continue tightening the screw. Repeat until you reach the correct setting. Use this setting for the remaining screws.

#### Switching on and off

##### Variable speed switch

- ◆ To switch the tool on, press the variable speed switch (1). The tool speed depends on how far you press the switch.
- ◆ To switch the tool off, release the variable speed switch.

##### Two-speed on/off switch

- ◆ To switch the tool on, press the on/off switch (1). When slightly pressing the switch, the tool will run at low speed. When pressing the switch further, the tool will run at high speed.
- ◆ To switch the tool off, release the variable speed switch.

#### Hints for optimum use

##### Drilling

- ◆ Always apply a light pressure in a straight line with the drill bit.
- ◆ Just before the drill tip breaks through the other side of the workpiece, decrease pressure on the tool.
- ◆ Use a block of wood to back up workpieces that may splinter.
- ◆ Use spade bits when drilling large diameter holes in wood.
- ◆ Use HSS drill bits when drilling in metal.
- ◆ Use a lubricant when drilling metals other than cast iron and brass.
- ◆ Make an indentation using a centre punch at the centre of the hole to be drilled in order to improve accuracy.

##### Screwdriving

- ◆ Always use the correct type and size of screwdriver bit.
- ◆ If screws are difficult to tighten, try applying a small amount of washing liquid or soap as a lubricant.
- ◆ Always hold the tool and screwdriver bit in a straight line with the screw.

#### Maintenance

Your Black & Decker tool has been designed to operate over a long period of time with a minimum of maintenance. Continuous satisfactory operation depends upon proper tool care and regular cleaning. Your charger does not require any maintenance apart from regular cleaning.

**Warning!** Before performing any maintenance on the tool, remove the battery from the tool. Unplug the charger before cleaning it.

- ◆ Regularly clean the ventilation slots in your tool using a soft brush or dry cloth.
- ◆ Regularly clean the motor housing using a damp cloth. Do not use any abrasive or solvent-based cleaner.
- ◆ Regularly open the chuck and tap it to remove any dust from the interior.

## Protecting the environment

### Tools



Black & Decker provides a facility for recycling Black & Decker products and rechargeable batteries once they have reached the end of their working life. This service is provided free of charge. To take advantage of this service please return your product to any authorised repair agent who will collect them on our behalf.

### Batteries



Black & Decker batteries can be recharged many times. At the end of their useful life, discard batteries with due care for our environment:

- ◆ Run the battery down completely, then remove it from the tool.
- ◆ NiCd and NiMH batteries are recyclable. Take them to any authorised repair agent or a local recycling station.

You can check the location of your nearest authorised repair agent by contacting your local Black & Decker office at the address indicated in this manual. Alternatively, a list of authorised Black & Decker repair agents and full details of our after-sales service and contacts are available on the Internet at: [www.2helpU.com](http://www.2helpU.com).

### Technical data

		KC96	AST2 KC12
Voltage	$V_{DC}$	9.6	12
No-load speed	$min^{-1}$	\$	0 - 700
Max. torque	Nm	\$	9.3
Chuck capacity	mm	10	10
Max. drilling capacity in steel/wood	mm	\$/	\$/

		AST12	KC14
Voltage	$V_{DC}$	12	14.4
No-load speed	$min^{-1}$	350/700	0 - 700
Max. torque	Nm	9.3	9.4
Chuck capacity	mm	10	10
Max. drilling capacity in steel/wood	mm	\$/	\$/

Battery	A9242	A9252	A9262
Voltage	$V_{DC}$ 9.6	12	14.4
Capacity	Ah 1.3	1.3	1.3

### Charger

Input voltage	$V_{AC}$ 230
Approx. charging time	h 3

## EC declaration of conformity

Black & Decker declares that these products conform to:  
EN 50260, EN 55014, EN 60335, EN 61000

$L_{pA}$  (sound pressure): 70 dB(A),  $L_{WA}$  (acoustic power) 83 dB(A),  
hand/arm weighted vibration < 2.5 m/s<sup>2</sup>

Colin Wills, Director of Engineering  
BDCl, 4/F, 2 Dai Wang Street  
Tai Po Industrial Estate  
Tai Po NT, Hong Kong

## Guarantee

Black & Decker is confident of the quality of its products and offers an outstanding guarantee. This guarantee statement is in addition to and in no way prejudices your statutory rights. The guarantee is valid within the territories of the Member States of the European Union and the European Free Trade Area.

If a Black & Decker product becomes defective due to faulty materials, workmanship or lack of conformity, within 24 months from the date of purchase, Black & Decker guarantees to replace defective parts, repair products subjected to fair wear and tear or replace such products to ensure minimum inconvenience to the customer unless:

- ◆ The product has been used for trade, professional or hire purposes;
- ◆ The product has been subjected to misuse or neglect;
- ◆ The product has sustained damage through foreign objects, substances or accidents;
- ◆ Repairs have been attempted by persons other than authorised repair agents or Black & Decker service staff.

To claim on the guarantee, you will need to submit proof of purchase to the seller or an authorised repair agent. You can check the location of your nearest authorised repair agent by contacting your local Black & Decker office at the address indicated in this manual. Alternatively, a list of authorised Black & Decker repair agents and full details of our after-sales service and contacts are available on the Internet at:

[www.2helpU.com](http://www.2helpU.com)

## Bestimmungsgemäße Verwendung

Ihr Black & Decker Bohrschrauber wurde für Schraubaufgaben sowie für das Bohren in Holz, Metall und Kunststoff konstruiert. Dieses Gerät ist nicht für den gewerblichen Einsatz vorgesehen. Ihr Black & Decker Ladegerät wurde zum Laden von Black & Decker Akkus vom im Lieferumfang enthaltenen Typ entwickelt.

## Sicherheitshinweise

- ◆ **Warnung!** Bei der Verwendung von Akkugeräten sind zum Schutz gegen Feuergefahr, gegen Austreten der Akkufflüssigkeit sowie gegen Körper- und Sachschaden grundlegende Sicherheitsmaßnahmen, einschließlich der folgenden Vorschriften, zu beachten.
- ◆ Lesen Sie diese Anleitung gründlich durch, bevor Sie das Gerät verwenden.
- ◆ Bewahren Sie diese Anleitung auf.

### Halten Sie Ihren Arbeitsbereich in Ordnung!

Unordnung im Arbeitsbereich führt zu Unfallgefahren.

### Berücksichtigen Sie Umgebungseinflüsse!

Setzen Sie das Gerät keinem Regen aus. Verwenden Sie das Gerät nicht in einer feuchten oder nassen Umgebung. Sorgen Sie für eine gute Beleuchtung des Arbeitsbereiches. Benutzen Sie das Gerät nicht an Orten, wo Feuergefahr oder Explosionsgefahr besteht, z.B. in der Nähe von brennbaren Flüssigkeiten oder Gasen.

### Halten Sie Kinder fern!

Halten Sie Kinder, Besucher und Tiere dem Arbeitsbereich fern und sorgen Sie dafür, daß sie das Gerät nicht berühren.

### Tragen Sie geeignete Arbeitskleidung!

Tragen Sie keine weite Kleidung oder Schmuck, da diese von sich bewegenden Teilen erfaßt werden können. Beim Arbeiten im Freien sind Arbeitshandschuhe und rutschfestes Schuhwerk empfehlenswert. Tragen Sie bei langen Haaren ein Haarnetz.

### Schutzmaßnahmen

Verwenden Sie immer eine Schutzbrille. Tragen Sie eine Atemschutzmaske, falls die Arbeiten Staub oder Späne erzeugen können. Tragen Sie bei einem hohen oder unangenehmen Schallpegel immer einen Gehörschutz.

### Achten Sie auf einen sicheren Stand!

Achten Sie auf einen sicheren Stand, um in jeder Arbeitsposition das Gleichgewicht zu halten.

### Seien Sie stets aufmerksam!

Konzentrieren Sie sich auf Ihre Arbeit. Gehen Sie vernünftig vor. Verwenden Sie das Gerät nicht, wenn Sie müde sind.

### Sichern Sie das Werkstück!

Benutzen Sie Spannvorrichtungen oder einen Schraubstock, um das Werkstück festzuhalten. Es ist damit sicherer gehalten und ermöglicht die Bedienung des Gerätes mit beiden Händen.

### Schließen Sie Vorrichtungen zur Staubabsaugung an!

Falls Vorrichtungen zur Absaugung oder zum Sammeln von Staub an das Gerät angeschlossen werden können, vergewissern Sie sich, daß diese angeschlossen sind und ordnungsgemäß verwendet werden.

### Lassen Sie keine Schlüssel stecken!

Überprüfen Sie vor dem Einschalten, ob die Schlüssel und Einstellwerkzeuge entfernt sind.

### Benutzen Sie das richtige Gerät!

Die bestimmungsgemäße Verwendung ist in dieser Betriebsanleitung beschrieben. Verwenden Sie keine zu schwachen Geräte oder Zubehörteile für schwere Arbeiten. Mit dem richtigen Gerät erzielen Sie eine optimale Qualität und gewährleisten Ihre persönliche Sicherheit. Überlasten Sie das Gerät nicht.

**Warnung!** Das Verwenden anderer als der in dieser Anleitung empfohlenen Vorsatzgeräte und Zubehörteile oder die Ausführung von Arbeiten mit diesem Gerät, die nicht der bestimmungsgemäßen Verwendung entsprechen, kann zu Unfallgefahren führen.

### Kontrollieren Sie Ihr Gerät auf Beschädigungen!

Überprüfen Sie das Gerät vor der Arbeit auf Beschädigungen. Überprüfen Sie, ob alle beweglichen Teile richtig montiert sind, ob keine Teile gebrochen sind, ob keine Schutzvorrichtungen und Schalter beschädigt sind, und ob irgendwelche andere Schäden den einwandfreien Betrieb des Gerätes beeinträchtigen könnten. Vergewissern Sie sich, daß das Gerät ordnungsgemäß funktionieren wird. Benutzen Sie das Gerät nicht, wenn irgendein Teil defekt ist. Verwenden Sie das Gerät nicht, wenn der Ein-/Aus-Schalter nicht funktioniert. Lassen Sie defekte Teile immer von einer unserer Kundendienstwerkstätten reparieren oder austauschen. Versuchen Sie nie, das Gerät selber zu reparieren.

### Entfernen Sie den Akku:

Entfernen Sie, falls möglich, den Akku, wenn Sie das Gerät nicht benutzen, bevor Sie irgendwelche Werkzeuge, Zubehörteile oder Geräteteile austauschen und bevor Sie irgendwelche Wartungsarbeiten vornehmen.

### Vermeiden Sie ein unbeabsichtigtes Einschalten!

Tragen Sie das Gerät nicht mit dem Finger am Ein-/Aus-Schalter. Vergewissern Sie sich, daß das Gerät ausgeschaltet ist, wenn Sie den Akku anbringen.

### Behandeln Sie das Kabel sorgfältig!

Tragen Sie das Ladegerät nicht am Kabel und benutzen Sie das Kabel nicht, um den Stecker aus der Steckdose zu ziehen. Schützen Sie das Kabel vor Hitze, Öl und scharfen Kanten.

### Bewahren Sie Ihre Geräte sicher auf!

Unbenutzte Geräte, Ladegeräte und Akkus sind an einem trockenen, für Kinder nicht erreichbaren Ort aufzubewahren.

### Pflegen Sie Ihre Geräte mit Sorgfalt!

Halten Sie Schneidwerkzeuge scharf und sauber, um gut und sicher arbeiten zu können. Befolgen Sie die Wartungsvorschriften und die Hinweise für den Werkzeugwechsel. Halten Sie Handgriffe und Schalter trocken, sauber und frei von Öl und Fett.



**Reparaturen:**

Dieses Gerät entspricht den einschlägigen Sicherheitsvorschriften. Reparaturen sind nur von autorisierten Fachkräften und mit Original-Ersatzteilen vorzunehmen; andernfalls kann Unfallgefahr für den Betreiber entstehen.

**Zusätzliche Sicherheitshinweise für Akkus und Ladegeräte****Akkus**

- ◆ Versuchen Sie auf keinen Fall, einen Akku zu öffnen.
- ◆ Setzen Sie den Akku keiner Nässe aus.
- ◆ Lagern Sie den Akku nicht an einem Ort, wo die Temperatur 40 °C erreichen kann.
- ◆ Laden Sie den Akku nur bei einer Umgebungstemperatur zwischen 4 °C und 40 °C.
- ◆ Laden Sie den Akku nur mit dem im Lieferumfang enthaltenen Ladegerät (siehe technische Daten).
- ◆ Vergewissern Sie sich vor dem Laden, daß der Akku trocken und sauber ist.
- ◆ Verwenden Sie den korrekten Akkutyp für das jeweilige Gerät (siehe technische Daten).
- ◆ Befolgen Sie bei der Entsorgung von Akkus die Anweisungen im Abschnitt "Umweltschutz".
- ◆ Unter extremen Einsatzbedingungen kann Akkuflüssigkeit aus dem Akku austreten. Wenn sich Flüssigkeit auf dem Akku befindet, gehen Sie folgendermaßen vor:
  - Wischen Sie die Flüssigkeit mit Hilfe eines Tuches vorsichtig vom Akku. Vermeiden Sie eine Berührung mit der Haut.
  - Falls die Flüssigkeit doch mit der Haut oder den Augen in Berührung kommen sollte, befolgen Sie die folgenden Hinweise.

**Warnung!** Die Akkuflüssigkeit, eine 25 bis 30% starke Kaliumhydroxidlösung, kann schädlich sein. Falls die Lösung mit der Haut in Berührung kommt, spülen Sie sofort mit reichlich Wasser. Neutralisieren Sie die Lösung mit einer milden Säure wie Zitronensaft oder Essig. Falls die Lösung mit den Augen in Berührung kommt, spülen Sie mindestens 10 Minuten lang mit reichlich klarem Wasser. Wenden Sie sich an einen Arzt.



Feuergefahr! Vermeiden Sie, daß Metallteile die Anschlüsse eines nicht am Gerät befindlichen Akkus kurzschließen (z.B. Schlüssel, die zusammen mit dem Akku in einer Tasche getragen werden).



Verbrennen Sie den Akku nicht!



Versuchen Sie nie, einen beschädigten Akku zu laden!

**Ladegeräte**

- ◆ Verwenden Sie Ihr Black & Decker Ladegerät nur zum Laden von Akkus vom im Lieferumfang enthaltenen Typ. Andere Akkus könnten platzen und Sach- und Personenschäden verursachen.
- ◆ Versuchen Sie nie, nichtwiederaufladbare Batterien zu laden.
- ◆ Lassen Sie ein beschädigtes Kabel sofort austauschen.
- ◆ Setzen Sie das Ladegerät keiner Nässe aus.
- ◆ Öffnen Sie das Ladegerät nicht.
- ◆ Fassen Sie nicht mit den Fingern oder irgendwelchen Gegenständen in das Ladegerät.



Nicht für die Verwendung im Freien zugelassen!

**Elektrische Sicherheit**

Ihr Ladegerät ist doppelt isoliert; eine Erdleitung ist somit nicht erforderlich. Überprüfen Sie, ob die Netzspannung der auf dem Typenschild des Ladegerätes angegebenen Spannung entspricht. Tauschen Sie das Ladegerät auf keinen Fall gegen einen Netzstecker aus.

**Merkmale (Abb. A)**

Dieses Gerät weist einige oder alle der folgenden Merkmale auf.

1. Drehzahl-Regelschalter oder zweistufiger Ein-/Ausschalter
2. Linkslauf-/Rechtslauf-Umschalter
3. Betriebsart-Wahlschalter/Drehmoment-Einstellung
4. Bohrfutter
5. Akku
6. Akku-Löseknopf
7. Ladegerät
8. Ladestation
9. Anschlußbuchse für Ladegerät
10. Ladegerätstecker

**Zusammenbau****Anbringen und Entfernen des Akkus (Abb. B)**

- ◆ Um den Akku (5) anzubringen, richten Sie ihn mit der Aufnahme im Gerät aus. Schieben Sie den Akku in die Aufnahme und drücken Sie, bis er einrastet.
- ◆ Um den Akku zu entfernen, drücken Sie beide Löseknöpfe (6) gleichzeitig und ziehen Sie den Akku aus der Aufnahme heraus.

**Anbringen und Entfernen eines Bohrers oder einer Schrauberklinge (Abb. A & C)**

**Achtung!** Entfernen Sie zuerst den Akku vom Gerät.

Dieses Werkzeug ist mit einem Schnellspannbohrfutter ausgestattet, das ein leichtes und schnelles Austauschen von Bohrern und Schrauberklingen ermöglicht.

- ◆ Verriegeln Sie das Gerät, indem Sie den Linkslauf-/Rechtslauf-Umschalter (2) in die mittlere Stellung schieben (Abb. A).
- ◆ Öffnen Sie das Bohrfutter, indem Sie den vorderen Teil (11) mit der einen Hand aufdrehen, während Sie den hinteren Teil (12) mit der anderen Hand festhalten (Abb. C).
- ◆ Stecken Sie den Schaft (13) des Bohrers bzw. der Schrauber Klinge in das Bohrfutter.
- ◆ Ziehen Sie das Bohrfutter fest, indem Sie den vorderen Teil (11) mit der einen Hand zudrehen, während Sie den hinteren Teil (12) mit der anderen Hand festhalten.

## Entfernen und Anbringen des Bohrfutters (Abb. D)

- ◆ Öffnen Sie das Bohrfutter vollständig.
- ◆ Entfernen Sie die Bohrfuttersicherungsschraube, indem Sie sie mit einem Schraubendreher im Uhrzeigersinn drehen.
- ◆ Spannen Sie einen Innensechskantschlüssel (14) in das Bohrfutter ein, und schlagen Sie wie oben beschrieben leicht mit einem Hammer auf den Innensechskantschlüssel.
- ◆ Entfernen Sie den Innensechskantschlüssel.
- ◆ Entfernen Sie das Bohrfutter, indem Sie es gegen den Uhrzeigersinn drehen.
- ◆ Um das Bohrfutter wieder anzubringen, schrauben Sie es auf die Spindel und sichern Sie es mit der Spindelsicherungsschraube.

## Gebrauch

### Aufladen des Akkus

Der Akku ist zu laden, bevor Sie das Akku-Gerät zum ersten Mal benutzen sowie wenn die Leistung des Akku-Geräts spürbar nachläßt. Ein neuer oder länger nicht verwendeter Akku erreicht seine volle Leistung erst nach ca. 5 Lade- und Entladezyklen. Während des Ladens kann sich der Akku erwärmen. Dies deutet nicht auf irgendein Problem hin.

**Achtung!** Laden Sie den Akku nicht bei einer Umgebungstemperatur unter 4 °C oder über 40 °C.  
Empfohlene Ladetemperatur: zirka 24 °C.

### Ladegerät mit Ladestation (Abb. E)

- ◆ Um den Akku (5) zu laden, entfernen Sie ihn vom Gerät, und setzen Sie ihn in die Ladestation (8). Der Akku läßt sich nur in einer Stellung in die Ladestation einsetzen. Wenden Sie keine Gewalt an. Vergewissern Sie sich, daß der Akku vollständig in die Ladestation eingesetzt ist.
- ◆ Stecken Sie das Ladegerät in die Steckdose.

Bei normalem Gebrauch liefert eine Ladezeit von 3 Stunden für die meisten Einsätze ausreichend Energie. Je nach Zustand des Akkus und den Ladebedingungen kann eine weitere Ladezeit von bis zu 6 Stunden die Einsatzzeit jedoch beträchtlich erhöhen.

- ◆ Entfernen Sie den Akku vom Ladegerät.

### Ladegerät ohne Ladestation (Abb. F)

- ◆ Um die Batterie zu laden, stellen Sie sicher, daß Sie am Bohrschrauber angebracht ist.
- ◆ Stecken Sie den Stecker des Ladegeräts (10) in die Buchse (9).
- ◆ Stecken Sie das Ladegerät in die Steckdose.

Bei normalem Gebrauch liefert eine Ladezeit von 3 Stunden für die meisten Einsätze ausreichend Energie. Je nach Zustand des Akkus und den Ladebedingungen kann eine weitere Ladezeit von bis zu 6 Stunden die Einsatzzeit jedoch beträchtlich erhöhen.

- ◆ Trennen Sie das Werkzeug vom Ladegerät.

**Achtung!** Verwenden Sie das Gerät nicht, während es am Ladegerät angeschlossen ist.


### Wahl der Drehrichtung (Abb. A)

Zum Bohren sowie zum Eindrehen von Schrauben verwenden Sie den Rechtslauf (im Uhrzeigersinn). Zum Lösen von Schrauben sowie zum Lösen eines festsitzenden Bohrers verwenden Sie den Linkslauf (gegen den Uhrzeigersinn).

- ◆ Für Rechtslauf schieben Sie den Linkslauf-/Rechtslauf-Umschalter (2) nach links.
- ◆ Für Linkslauf schieben Sie den Linkslauf-/Rechtslauf-Umschalter nach rechts.
- ◆ Um das Gerät zu verriegeln, schieben Sie den Linkslauf-/Rechtslauf-Umschalter in die mittlere Stellung.

### Wahl der Betriebsart bzw. des Drehmoments (Abb. G)

Dieses Gerät ist mit einem Drehring zur Einstellung der Betriebsart und zur Einstellung des Drehmoments beim Eindrehen von Schrauben ausgestattet. Große Schrauben und harte Werkstücke erfordern eine höhere Einstellung des Drehmoments als kleine Schrauben und weiche Werkstücke. Der Drehring hat einen großen Einstellbereich, um Ihrem Einsatz gerecht zu werden.

- ◆ Zum Bohren in Holz, Metall und Kunststoff drehen Sie den Ring (3) in die Bohrstellung, indem Sie das Symbol  mit der Markierung (15) ausrichten.
- ◆ Zum Schrauben drehen Sie den Ring in die gewünschte Stellung. Falls Sie die richtige Einstellung noch nicht kennen, gehen Sie folgendermaßen vor:
  - ◆ Stellen Sie den Drehring (3) in die Stellung mit dem geringsten Drehmoment.
  - ◆ Ziehen Sie die erste Schraube fest.
  - ◆ Falls die Kupplung zu schnell auskuppelt, stellen Sie den Ring auf einen größeren Wert ein und setzen Sie den Schraubvorgang fort. Wiederholen Sie diese Methode, bis Sie den richtigen Wert gefunden haben. Verwenden Sie diesen Wert für die anderen Schrauben.

## Ein- und Ausschalten

### Drehzahl-Regelschalter

- ◆ Um das Gerät einzuschalten, drücken Sie auf den Drehzahl-Regelschalter (1). Je tiefer Sie den Schalter drücken, um so höher ist die Drehzahl des Geräts.
- ◆ Um das Gerät auszuschalten, lassen Sie den Drehzahl-Regelschalter los.

### Zweistufiger Ein-/Ausschalter

- ◆ Um das Gerät einzuschalten, drücken Sie auf den Ein-/Ausschalter (1). Bei nur leichtem Druck auf den Schalter läuft das Gerät mit langsamer Drehzahl. Bei weiterem Druck auf den Schalter läuft das Gerät mit schneller Drehzahl.
- ◆ Um das Gerät auszuschalten, lassen Sie den Drehzahl-Regelschalter los.

## Hinweise für optimale Arbeitsergebnisse

### Bohren

- ◆ Üben Sie immer einen leichten Druck in Richtung der Bohrspitze aus.
- ◆ Sobald Sie spüren, daß das Werkstück fast durchbohrt ist, reduzieren Sie schrittweise den Druck auf die Bohrspitze, bis der Bohrvorgang beendet ist.
- ◆ Beim Bohren in Werkstücke, die leicht splintern oder ausreißen, legen Sie einen Holzklotz hinter das Werkstück.
- ◆ Verwenden Sie zum Bohren größerer Löcher in Holz einen Flachbohrer.
- ◆ Verwenden Sie zum Bohren in Metall HSS-Bohrer.
- ◆ Verwenden Sie beim Bohren in andere Metalle als Gußeisen und Messing ein Schmiermittel.
- ◆ Markieren Sie die Bohrstelle mit Hilfe eines Bohrkörners, um ein positionsgenaues Bohren zu gewährleisten.

### Schrauben

- ◆ Verwenden Sie immer Schrauberklingen des richtigen Typs und in der richtigen Größe.
- ◆ Falls sich Schrauben schwer eindrehen lassen, tragen Sie etwas Spülmittel oder Seife als Schmiermittel an der Schraube auf.
- ◆ Halten Sie das Gerät und die Schrauber Klinge immer in einer geraden Linie mit der Schraube.

## Wartung

Ihr Black & Decker Gerät wurde im Hinblick auf eine lange Lebensdauer und einen möglichst geringen Wartungsaufwand entwickelt. Ein dauerhafter, einwandfreier Betrieb setzt eine regelmäßige Reinigung voraus.

Ihr Ladegerät bedarf keiner Wartung, außer einer regelmäßigen Reinigung.

**Achtung!** Bevor Sie irgendwelche Wartungsarbeiten vornehmen, entfernen Sie den Akku vom Akku-Gerät. Ziehen Sie den Netzstecker des Ladegerätes aus der Steckdose, bevor Sie es reinigen.

- ◆ Reinigen Sie regelmäßig die Lüftungsschlitze im Gerät mit Hilfe einer weichen Bürste oder eines trockenen Tuches.
- ◆ Reinigen Sie regelmäßig das Motorgehäuse mit Hilfe eines feuchten Tuches. Verwenden Sie keine scheuernden Reinigungsmittel oder Reinigungsmittel auf Lösungsmittelbasis.
- ◆ Reinigen Sie regelmäßig das Bohrfutter, indem Sie es öffnen und durch leichtes Klopfen Staub aus dem Inneren des Bohrfutters entfernen.

## Umweltschutz

### Geräte



Black & Decker nimmt Ihre ausgedienten Black & Decker Geräte und Akkus gern zurück und sorgt für eine umweltfreundliche Entsorgung. Diese Dienstleistung ist für Sie kostenlos. Um diese Dienstleistung in Anspruch zu nehmen, geben Sie das Gerät bitte bei einer autorisierten Reparaturwerkstatt ab, die für uns die Einsammlung übernimmt.

### Akkus



Black & Decker Akkus lassen sich viele Male wiederaufladen. Am Ende des technischen Lebens ist der Akku mit Rücksicht auf die Umwelt und fachgerecht zu entsorgen:

- ◆ Entladen Sie den Akku vollständig und entfernen Sie ihn vom Gerät.
- ◆ NiMH- und NiCd-Akkus sind wiederverwertbar. Zur Wiederverwertung oder umweltverträglichen Entsorgung sind sie bei Ihrem Händler oder einer kommunalen Sammelstelle abzugeben.

Die Adresse des zuständigen Büros von Black & Decker steht in diesem Handbuch, darüber läßt sich die nächstgelegene Vertragswerkstatt ermitteln. Außerdem ist eine Liste der Vertragswerkstätten und aller Kundendienststellen von Black & Decker sowie der zuständigen Ansprechpartner im Internet zu finden unter: [www.2helpU.com](http://www.2helpU.com).

**Technische Daten**

		<b>KC96</b>	<b>AST2</b> <b>KC12</b>
Spannung	V <sub>DC</sub>	9,6	12
Leerlaufdrehzahl	min <sup>-1</sup>	\$	0 - 700
Max. Drehmoment	Nm	\$	9,3
Bohrfutterkapazität	mm	10	10
Max. Bohrkapazität in Stahl/Holz	mm	\$\$	\$\$

		<b>AST12</b>	<b>KC14</b>
Spannung	V <sub>DC</sub>	12	14,4
Leerlaufdrehzahl	min <sup>-1</sup>	350/700	0 - 700
Max. Drehmoment	Nm	9,3	9,4
Bohrfutterkapazität	mm	10	10
Max. drilling capacity in steel/wood	mm	\$\$	\$\$

<b>Akku</b>		<b>A9242</b>	<b>A9252</b>	<b>A9262</b>
Spannung	V <sub>DC</sub>	9,6	12	14,4
Kapazität	Ah	1,3	1,3	1,3

**Ladegerät**

Input voltage	V <sub>AC</sub>	230
Approx. charging time	h	3

**EU-Konformitätserklärung**

Black & Decker erklärt hiermit, daß diese Geräte entsprechend folgenden Richtlinien und Normen konzipiert wurden:

EN 50260, EN 55014, EN 60335, EN 61000

L<sub>PA</sub> (Schalldruck): 70 dB(A), L<sub>WA</sub> (Schalleistung) 83 dB(A), gewichteter Effektivwert der Beschleunigung < 2.5 m/s<sup>2</sup>



Colin Wills  
 Director of Engineering  
 BDCI, 4/F, 2 Dai Wang Street  
 Tai Po Industrial Estate  
 Tai Po NT, Hong Kong

**Garantie**

Black & Decker vertraut auf die Qualität der eigenen Geräte und bietet dem Käufer eine außergewöhnliche Garantie. Diese Garantiezusage versteht sich unbeschadet der gesetzlichen Gewährleistungsansprüche und schränkt diese keinesfalls ein. Sie gilt in sämtlichen Mitgliedsstaaten der Europäischen Union und der Europäischen Freihandelszone EFTA.

Tritt innerhalb von 24 Monaten ab Kaufdatum an einem Gerät von Black & Decker ein auf Material- oder Verarbeitungsfehler zurückzuführender Mangel auf, garantiert Black & Decker den Austausch defekter Teile, die Reparatur von Geräten mit üblichem Verschleiß bzw. den Austausch eines mangelhaften Geräts, ohne den Kunden dabei mehr als unbedingt nötig in Anspruch zu nehmen, allerdings vorbehaltlich folgender Ausnahmen:

- ◆ wenn das Gerät gewerblich, beruflich oder im Verleihgeschäft benutzt wurde;
- ◆ wenn das Gerät mißbräuchlich verwendet oder mit mangelnder Sorgfalt behandelt wurde;
- ◆ wenn das Gerät durch irgendwelche Fremdeinwirkung beschädigt wurde;
- ◆ wenn ein unbefugter Reparaturversuch durch anderes Personal als das einer Vertragswerkstatt oder des Black & Decker-Kundendienstes unternommen wurde.

Zur Inanspruchnahme dieser Garantie ist dem Verkäufer bzw. der Vertragswerkstatt ein Kaufnachweis vorzulegen. Die Adresse des zuständigen Büros von Black & Decker steht in dieser Anleitung, darüber läßt sich die nächstgelegene Vertragswerkstatt ermitteln. Außerdem ist eine Liste der Vertragswerkstätten und aller Kundendienststellen von Black & Decker sowie der zuständigen Ansprechpartner im Internet zu finden unter: **www.2helpU.com**.

## Utilisation prévue

Votre perceuse / tournevis Black & Decker a été conçue pour la pose de vis et pour le perçage du bois, du métal et des matières plastiques.

Cet outil a été conçu pour une utilisation exclusivement domestique.

Votre chargeur Black & Decker a été conçu pour le chargement de batteries Black & Decker identiques à celles fournies avec cet outil.

## Instructions de sécurité

- ◆ **Attention!** Lors de l'utilisation d'outils sans fil, observez les consignes de sécurité fondamentales, y compris celles qui suivent afin de réduire les risques d'incendie, de fuite de batteries, de blessures et de dommage matériel.
- ◆ Lisez et observez attentivement les instructions avant d'utiliser l'outil.
- ◆ Conservez ces instructions.

### Tenez votre aire de travail propre et bien rangée

Le désordre augmente les risques d'accident.

### Tenez compte des conditions ambiantes

N'exposez pas l'outil à la pluie. N'exposez pas l'outil à l'humidité. Veillez à ce que l'aire de travail soit bien éclairée. N'utilisez pas l'outil s'il existe un risque d'incendie ou d'explosion, par exemple en présence de liquides ou de gaz inflammables.

### Tenez les enfants éloignés

Ne laissez pas les enfants, les visiteurs ou les animaux s'approcher de l'aire de travail ou toucher l'outil.

### Portez des vêtements de travail appropriés

Ne pas porter de vêtements flottants ou de bijoux. Ils pourraient être happés par les pièces en mouvement. Lors de travaux à l'extérieur, il est recommandé de porter des gants en caoutchouc et des chaussures à semelle anti-dérapante. Le cas échéant, attachez vos cheveux s'ils sont longs, ou couvrez vous la tête.

### Protection

Portez toujours des lunettes de protection. Portez des lunettes de protection et un masque pour protéger le visage si le travail exécuté produit de la poussière ou des copeaux volants. Portez des protections auditives lorsque le niveau sonore semble gênant.

### Adoptez une position confortable

Toujours tenir les deux pieds à terre et garder l'équilibre.

### Faites preuve de vigilance

Observez votre travail. Faites preuve de bon sens. Ne pas employer l'outil en cas de fatigue.

### Fixez bien la pièce à travailler

Pour plus de sécurité, fixez la pièce à travailler avec un dispositif de serrage ou un étau. Ainsi, vous aurez les deux mains libres pour manier l'outil.

### Branchez le dispositif d'extraction de poussière.

Si vous disposez de systèmes pour brancher les dispositifs d'extraction et de ramassage de poussière, assurez-vous qu'ils sont bien branchés et qu'ils fonctionnent correctement.

### Enlevez les clés et outils de réglage

Avant de mettre l'outil en marche, retirez les clés et outils de réglage.

### Utilisez l'outil adéquat

Le domaine d'utilisation de l'outil est décrit dans le présent manuel. Ne pas utiliser d'outils ou d'accessoires de trop faible puissance pour exécuter des travaux lourds. L'utilisation d'accessoires autres que ceux recommandés dans le présent manuel pourrait entraîner un risque de blessure. Ne forcez pas l'outil.

**Attention!** L'utilisation d'accessoires autres que ceux recommandés dans le présent manuel pourrait entraîner un risque de blessure.

### Contrôlez les dommages éventuels de votre outil

Avant d'utiliser l'outil, vérifiez soigneusement qu'il n'est pas endommagé. Vérifiez l'alignement des pièces en mouvement, leur prise et toute rupture de pièces, tout dommage des protections et des interrupteurs et toute autre condition pouvant affecter le fonctionnement de l'outil. Veillez à ce que l'outil fonctionne correctement et qu'il exécute les tâches pour lesquelles il est prévu. N'utilisez pas l'outil si une pièce est défectueuse. Ne pas utiliser l'outil si l'interrupteur marche/arrêt ne fonctionne pas. Faites réparer ou échangez toute pièce endommagée par un service de réparation agréé. Ne tentez jamais de le réparer vous-même.

### Enlevez la batterie

Le cas échéant, enlevez la batterie lorsque l'outil n'est pas utilisé, avant de changer toute pièce de l'outil ou tout accessoire et avant de procéder à l'entretien.

### Évitez tout démarrage involontaire

Ne portez pas l'outil avec un doigt sur l'interrupteur marche/arrêt. Veillez à ce que l'outil soit débranché lorsque vous y insérez la pile.

### Ne tirez pas sur le câble d'alimentation

Ne portez jamais le chargeur par le câble et ne tirez pas sur celui-ci pour le débrancher de la prise. Préservez le câble de la chaleur, de l'huile et des arêtes tranchantes.

### Rangez vos outils dans un endroit sûr

Rangez les outils, batteries et chargeurs non utilisés dans un endroit sec, élevé et fermé, hors de portée des enfants.

### Entretenez vos outils avec soin

Maintenez vos outils affûtés et propres afin de travailler mieux et plus sûrement. Suivez les instructions d'entretien et de changement d'accessoires. Maintenez les poignées et les interrupteurs secs, propres et exempts d'huile et de graisse.

### Réparations

Cet outil est conforme aux conditions de sécurité requises.

Les réparations devront uniquement être effectuées par des personnes qualifiées utilisant des pièces de rechange d'origine ; en cas contraire, cela pourrait être très dangereux pour l'utilisateur.

## Instructions de sécurité supplémentaires pour les batteries et chargeurs

### Batteries

- ◆ Ne tentez jamais de l'ouvrir pour quelque raison que ce soit.
- ◆ Ne la mettez pas en contact avec de l'eau.
- ◆ Ne la stockez pas à un endroit où la température peut être supérieure à 40 °C.
- ◆ Chargez uniquement à température ambiante entre 4 °C et 40 °C.
- ◆ Chargez uniquement en utilisant le chargeur fourni avec l'outil (voir caractéristiques techniques).
- ◆ Avant le chargement, veillez à ce que la batterie soit sèche et propre.
- ◆ Utilisez uniquement le type de batterie approprié à l'outil (voir caractéristiques techniques).
- ◆ Lorsque vous jetez des batteries, suivez les instructions données à la section "Protection de l'environnement".
- ◆ Dans des conditions extrêmes, la batterie peut fuir. Si vous remarquez que la batterie a coulé, procédez comme suit:
  - Nettoyez soigneusement le liquide à l'aide d'un chiffon. Évitez le contact avec la peau.
  - En cas de contact avec la peau ou les yeux, suivez les instructions ci-dessous.

**Attention!** Le liquide de la batterie, une solution d'hydroxyde de potassium à 25-30%, est toxique. En cas de contact avec la peau, rincer abondamment à l'eau. Neutraliser avec un acide doux tel que du citron ou du vinaigre. En cas de contact avec les yeux, rincer abondamment à l'eau au moins pendant 10 minutes. Consulter un médecin.



Risque d'incendie! Éviter toute possibilité de court-circuit au niveau des contacts d'une batterie (exemple: porter des clés dans la même poche qu'une batterie).



Ne pas incinérer la batterie.



Ne pas charger une batterie endommagée.

### Chargeurs

- ◆ Utilisez uniquement votre chargeur Black & Decker pour charger les batteries fournies avec votre outil ou de même type et modèle.

D'autres batteries pourraient exploser et causer des dommages ou blessures.

- ◆ Ne tentez jamais de charger des batteries non-rechargeables.
- ◆ Remplacez immédiatement les fils électriques défectueux.
- ◆ Ne mettez pas le chargeur en contact avec de l'eau.
- ◆ N'ouvrez pas le chargeur.
- ◆ Ne testez pas le chargeur.



Conçu pour une utilisation à l'intérieur uniquement.

### Sécurité électrique



Ce chargeur a une double isolation; un branchement à la terre n'est donc pas nécessaire. Vérifiez si la tension du chargeur correspond à la tension secteur. Ne tentez jamais de remplacer le chargeur par une prise au secteur normale.

## Caractéristiques (fig. A)

Cet outil comprend toutes ou certaines des caractéristiques suivantes.

1. Bouton de commande de vitesse variable ou bouton marche/arrêt à deux vitesses.
2. Sélecteur de rotation droite / gauche
3. Sélecteur de mode / bague de réglage du couple
4. Mandrin
5. Batterie
6. Bouton de déclenchement de la batterie
7. Chargeur
8. Base de chargement
9. Connecteur pour chargeur
10. Prise de chargeur

## Montage

### Mise en place et retrait de la batterie (fig. B)

- ◆ Pour mettre la batterie en place (5), alignez-la avec le boîtier sur l'outil. Faites glisser la batterie dans le boîtier et poussez jusqu'à ce qu'elle se mette en place avec un bruit sec.
- ◆ Pour retirer la batterie, appuyez simultanément sur les deux boutons de libération (6) tout en retirant la batterie du boîtier.

### Installation et retrait d'un foret de perçage ou de vissage (fig. A et C)

**Attention!** Retirez d'abord la batterie de l'outil.

Cet outil est équipé d'un mandrin sans clef pour vous permettre de changer les pointes plus rapidement.

- ◆ Verrouillez l'outil en réglant le sélecteur de rotation droite / gauche (2) sur la position centrale (fig. A).

- ◆ Ouvrez le mandrin en faisant tourner la partie avant (11) d'une main tout en tenant la partie arrière (12) de l'autre main (fig. C).
- ◆ Insérez la tige du foret (13) dans le mandrin.
- ◆ Serrez fermement le mandrin en tournant la partie avant (11) avec une main tout en tenant la partie arrière (12) avec l'autre.

### Démontage et remontage du mandrin (fig. D)

- ◆ Ouvrez le mandrin jusqu'à son ouverture maximum.
- ◆ Enlevez la vis de serrage du mandrin en la faisant tourner dans le sens des aiguilles d'une montre à l'aide d'un tournevis.
- ◆ Placez une clé Allen (14) dans le mandrin et enfoncez-la avec un marteau comme indiqué.
- ◆ Enlevez la clé Allen.
- ◆ Enlevez le mandrin en le faisant tourner dans le sens inverse des aiguilles d'une montre.
- ◆ Pour replacer le mandrin, vissez-le sur l'arbre et serrez-le avec la vis de serrage.

## Utilisation

### Chargement de la batterie.

La batterie a besoin d'être chargée avant la première utilisation et à chaque fois qu'elle ne produit pas une puissance suffisante pour des travaux facilement effectués auparavant. Une nouvelle batterie ou une batterie n'ayant pas été utilisée depuis longtemps atteint son niveau de performance optimal après environ 5 cycles de charge et de décharge. La batterie peut chauffer pendant le chargement ; cela est normal et n'indique pas de problème particulier.

**Attention!** Ne chargez pas la batterie à une température ambiante inférieure à 4 °C ou supérieure à 40 °C.  
Température de chargement recommandée : environ 24 °C.

### Chargeur avec base de chargement (fig. E)

- ◆ Pour charger la batterie (5), retirez-la de l'outil et insérez-la dans la base du chargeur (8). La batterie ne rentrera dans le chargeur que d'une seule façon. Ne forcez pas. Assurez-vous que la batterie est complètement enclenchée dans le chargeur.
- ◆ Branchez le chargeur.

Après une utilisation normale, la batterie doit être mise en charge pendant environ 3 heures pour pouvoir être utilisée dans la plupart des applications. Toutefois, un temps de charge de 6 heures peut accroître considérablement la durée d'utilisation, en fonction de la batterie et des conditions de charge.

- ◆ Enlevez-la du chargeur.

### Chargeur sans base de chargement (fig. F)

- ◆ Pour charger la batterie, assurez-vous qu'elle est bien installée sur la perceuse.
- ◆ Insérez la prise de chargeur (10) dans le connecteur (9).
- ◆ Branchez le chargeur.

Après une utilisation normale, la batterie doit être mise en charge pendant environ 3 heures pour pouvoir être utilisée dans la plupart des applications. Toutefois, un temps de charge de 6 heures peut accroître considérablement la durée d'utilisation, en fonction de la batterie et des conditions de charge.

- ◆ Débranchez l'outil du chargeur.

**Attention!** Veillez à ne pas utiliser l'outil lorsqu'il est branché au chargeur.


### Sélection du sens de rotation (fig. A)

Pour le perçage et le serrage des vis, utilisez la rotation vers l'avant (dans le sens des aiguilles d'une montre). Pour desserrer les vis ou enlever un foret de perçage coincé, utilisez la rotation vers l'arrière (dans le sens inverse des aiguilles d'une montre).

- ◆ Pour sélectionner la rotation vers l'avant, poussez le sélecteur de rotation droite / gauche (2) vers la gauche.
- ◆ Pour sélectionner la rotation vers l'arrière, poussez le sélecteur de rotation droite / gauche vers la droite.
- ◆ Pour verrouiller l'outil, réglez le sélecteur de rotation droite / gauche sur la position centrale.

### Sélection du mode de fonctionnement ou serrage (fig. G)

Cet outil est muni d'une bague servant à régler le mode de fonctionnement et le couple de serrage des vis. Les grosses vis et les matières d'œuvre rigides nécessitent un couple de serrage plus grand que les petites vis et les matières d'œuvre peu rigides. La bague possède une large gamme de réglages de manière à pouvoir répondre à vos besoins.

- ◆ Pour le perçage du bois, du métal et du plastique, placez la bague (3) sur la position de perçage en alignant le symbole  avec la marque (15).
- ◆ Pour le vissage, réglez la bague à la position désirée. Si vous ne connaissez pas encore le bon réglage, procédez comme suit :
  - ◆ Placez la bague (3) au réglage de couple le plus bas.
  - ◆ Serrez la première vis.
  - ◆ Si l'embrayage fait "clic" avant d'avoir obtenu le résultat désiré, augmentez le réglage de la bague et continuez à serrer la vis. Répétez jusqu'à obtenir le bon réglage. Utilisez ce réglage pour les vis restantes.

## Mise en marche et arrêt

### Interrupteur à variateur de vitesse

- ◆ Pour allumer l'outil, appuyez sur l'interrupteur de vitesse variable (1). La vitesse de l'outil dépend de la force que vous exercez sur l'interrupteur.
- ◆ Pour éteindre l'outil, relâchez l'interrupteur de vitesse variable.

### Interrupteur marche / arrêt à deux vitesses

- ◆ Pour allumer l'outil, appuyez sur l'interrupteur marche/arrêt (1). Appuyez doucement sur l'interrupteur pour faire fonctionner l'outil à vitesse réduite. Appuyez plus fortement sur l'interrupteur pour faire fonctionner l'outil à grande vitesse.
- ◆ Pour éteindre l'outil, relâchez l'interrupteur de vitesse variable.

## Conseils pour une utilisation optimale

### Perçage

- ◆ Appliquez toujours une pression légère en ligne droite avec le foret de perçage.
- ◆ Juste avant que le foret de perçage ne passe de l'autre côté de la pièce, diminuez la pression sur l'outil.
- ◆ Utilisez un bloc de bois pour protéger les pièces pouvant se briser.
- ◆ Utilisez des mèches à bois lorsque vous percez des trous d'un large diamètre dans du bois.
- ◆ Utilisez des forets de perçage HSS lorsque vous percez du métal.
- ◆ Utilisez un lubrifiant lorsque vous percez des métaux autres que de la fonte et du laiton.
- ◆ Faites une entaille à l'aide d'une contrepointe de centrage au centre du trou à percer afin d'améliorer la précision

### Vissage

- ◆ Utilisez toujours le bon type et la bonne taille d'embout de tournevis.
- ◆ Si les vis sont difficiles à serrer, essayez d'appliquer un petit peu de liquide vaisselle ou de savon en tant que lubrifiant.
- ◆ Tenez toujours l'outil et l'embout de tournevis en ligne droite par rapport à la vis.

## Entretien

Votre outil Black & Decker a été conçu pour fonctionner pendant longtemps avec un minimum d'entretien.

Un fonctionnement continu satisfaisant dépend d'un nettoyage régulier et d'un entretien approprié de l'outil. Votre chargeur ne nécessite aucun entretien autre qu'un nettoyage régulier.

**Attention!** Avant de procéder à tout entretien de l'outil, retirez la batterie. Débranchez le chargeur avant de le nettoyer.

- ◆ Nettoyez régulièrement les orifices de ventilation de votre outil à l'aide d'une brosse douce ou d'un chiffon sec.
- ◆ Nettoyez régulièrement le carter du moteur à l'aide d'un chiffon humide. N'utilisez pas de produit abrasif ou à base de solvant.
- ◆ Ouvrez régulièrement le mandrin et tapotez dessus pour retirer toute poussière à l'intérieur.

## Protection de l'environnement

### Outils



Black & Decker fournit un dispositif permettant de recycler les produits Black & Decker et des batteries rechargeables lorsqu'ils ont atteint la fin de leur cycle de vie. Ce service est gratuit. Pour pouvoir profiter de ce service, veuillez retourner votre produit à un réparateur agréé qui se chargera de le collecter pour nous.

### Batteries



Les batteries Black & Decker peuvent être rechargées de nombreuses fois. A la fin de leur durée de vie technique, jetez les piles en respectant l'environnement :

- ◆ Videz complètement la batterie, puis retirez-la de l'outil.
- ◆ Les batteries NiCd et NiMH sont recyclables. Apportez-les à votre réparateur agréé ou à un centre de recyclage local.

Pour connaître l'adresse du réparateur agréé le plus proche de chez vous, contactez le bureau Black & Decker à l'adresse indiquée dans ce manuel. Vous pourrez aussi trouver une liste des réparateurs agréés de Black & Decker et de plus amples détails sur notre service après-vente sur le site Internet à l'adresse suivante : [www.2helpU.com](http://www.2helpU.com).

## Caractéristiques techniques

	KC96	AST2 KC12
Tension	V <sub>DC</sub> 9,6	12
Vitesse à vide	min <sup>-1</sup> \$	0 - 700
Force de tension max.	Nm \$	9,3
Capacité mandrin	mm 10	10
Capacité de perçage max. dans l'acier / le bois	mm \$/\$	\$/ \$



		AST12	KC14
Tension	V <sub>DC</sub>	12	14,4
Vitesse à vide	min <sup>-1</sup>	350/700	0 - 700
Force de tension max.	Nm	9,3	9,4
Capacité mandrin	mm	10	10
Capacité de perçage max. dans l'acier / le bois	mm	\$\$	\$\$

Batterie		A9242	A9252	A9262
Tension	V <sub>DC</sub>	9,6	12	14,4
Capacité	Ah	1,3	1,3	1,3

### Chargeur

Tension secteur	V <sub>AC</sub>	230
Temps de chargement approx.	h	3

## Déclaration de conformité CE

Black & Decker déclare que ces outils sont conformes aux normes:

EN 50260, EN 55014, EN 60335, EN 61000

L<sub>PA</sub> (pression acoustique): 70 dB(A), L<sub>WA</sub> (puissance acoustique) 83 dB(A), niveau de vibration main/bras < 2.5 m/s<sup>2</sup>



Colin Wills  
Director of Engineering  
BDCI, 4/F, 2 Dai Wang Street  
Tai Po Industrial Estate  
Tai Po NT, Hong Kong

## Garantie

Black & Decker est confiant dans la qualité de ses produits et vous offre une garantie très étendue. Ce certificat de garantie est un document supplémentaire et ne peut en aucun cas se substituer à vos droits légaux. La garantie est valable sur tout le territoire des Etats Membres de l'Union Européenne et de la Zone de Libre Echange Européenne.

Si un produit Black & Decker s'avère défectueux en raison de matériaux en mauvaises conditions, d'une erreur humaine, ou d'un manque de conformité dans les 24 mois suivant la date d'achat, Black & Decker garantit le remplacement des pièces défectueuses, la réparation des produits usés ou cassés ou remplace ces produits à la convenance du client, sauf dans les circonstances suivantes :

- ◆ Le produit a été utilisé dans un but commercial, professionnel, ou a été loué.
- ◆ Le produit a été mal utilisé ou avec négligence.
- ◆ Le produit a subi des dommages à cause d'objets étrangers, de substances ou à cause d'accidents.
- ◆ Des réparations ont été tentées par des techniciens ne faisant pas partie du service technique de Black & Decker.

Pour avoir recours à la garantie, il est nécessaire de fournir une preuve d'achat au vendeur ou à un réparateur agréé. Pour connaître l'adresse du réparateur agréé le plus proche de chez vous, contactez le bureau Black & Decker à l'adresse indiquée dans ce manuel. Vous pourrez aussi trouver une liste des réparateurs agréés de Black & Decker et de plus amples détails sur notre service après-vente sur le site Internet à l'adresse suivante : [www.2helpU.com](http://www.2helpU.com).

## Uso previsto

Il trapano / cacciavite Black & Decker è stato progettato per inserire ed estrarre viti e perforare legno, metalli e plastica. L'utensile è stato progettato per un uso individuale. Il vostro caricabatteria Black & Decker è stato progettato per caricare batterie Black and Decker del tipo fornito con questo utensile.

## Istruzioni di sicurezza

- ◆ **Attenzione!** Quando si adoperano utensili a batteria, per ridurre il rischio di incendi, fuoriuscita di liquido dalle batterie, danni personali e materiali, è necessario osservare alcune precauzioni di sicurezza fondamentali, incluso le seguenti.
- ◆ Prima di adoperare l'utensile, leggere attentamente le istruzioni di cui al presente manuale.
- ◆ Conservare questo manuale di istruzioni per successive consultazioni.

### Tenere pulita l'area di lavoro

Ambienti e banchi di lavoro in disordine possono essere causa d'incidenti.

### Tener presenti le caratteristiche dell'ambiente di lavoro

Non lasciare l'utensile sotto la pioggia. Non usare l'utensile in ambienti carichi di umidità. Tenere ben illuminata l'area di lavoro. Non usare l'utensile quando vi sia rischio di provocare un incendio o una esplosione, per es. in luoghi con atmosfera gassosa o infiammabile.

### Tenere i bambini lontani dall'area di lavoro

Non permettere ai bambini, ad altre persone o ad animali di avvicinarsi alla zona di lavoro o di toccare l'utensile.

### Usare il vestiario appropriato

Evitare l'uso di abiti svolazzanti, catenine, ecc. in quanto potrebbero rimanere impigliati nelle parti mobili dell'utensile. Lavorando all'aperto indossare guanti di gomma e scarpe con soles antiscivolo. Raccogliere i capelli se si portano lunghi.

### Protezione personale

Indossate occhiali di sicurezza. Indossate una mascherina contro la polvere ogni volta che l'uso dell'utensile provochi polvere o schegge. Indossate cuffie acustiche quando considerate che il livello acustico sia troppo alto.

### Non sbilanciarsi

Mantenere sempre un buon equilibrio evitando posizioni malsicure.

### Stare sempre attenti

Prestare attenzione a quanto si sta facendo. Usare il proprio buon senso. Non utilizzare l'utensile quando si è stanchi.

### Bloccare il pezzo da lavorare

Usare pinze o morse per bloccare il pezzo da lavorare. Ciò aumenta la sicurezza e consente di mantenere entrambe le mani libere per operare meglio.

### Connettere l'apparecchiatura aspirapolvere

Se sono forniti i dispositivi per la connessione delle macchine per l'aspirazione e la raccolta della polvere, verificare che vengano collegate e utilizzate correttamente.

### Non lasciare sull'utensile chiavi o strumenti di misura

Prima di mettere in funzione l'utensile abbiate cura di togliere chiavi e altri strumenti.

### Adoperare l'utensile adatto alla situazione

L'utilizzo previsto è quello indicato nel presente manuale. Non forzare utensili e accessori di potenza limitata impiegandoli per lavori destinati ad utensili di maggiore potenza. Non forzare l'utensile.

**Attenzione!** L'uso di accessori o attrezzature diversi o l'impiego del presente utensile per scopi diversi da quelli indicati nel presente manuale d'uso comportano il rischio di infortuni.

### Controllare che non vi siano parti danneggiate

Prima dell'uso, controllare che l'utensile non presenti danni. Controllare se ci sono parti non allineate o parti mobili con gioco, pezzi rotti, danni alle protezioni o agli interruttori e qualsiasi altra condizione che possa incidere sul funzionamento dell'utensile. Accertare che l'utensile funzioni come previsto e che venga impiegato per lo scopo per cui è stato progettato. Non usare l'utensile se presenta elementi danneggiati o difettosi. Non impiegare l'utensile se non è possibile accenderlo e spegnerlo mediante l'interruttore. Eventuali componenti difettosi o danneggiati vanno sostituiti o riparati da un tecnico autorizzato. Non tentare mai di effettuare delle riparazioni.

### Estrarre la batteria

Togliere la batteria quando l'utensile non è in uso, o prima di cambiare pezzi, accessori o complementi o prima di eseguire lavori di manutenzione.

### Evitate di avviare l'utensile quando non è necessario

Non portate l'utensile con il dito sull'interruttore. Assicuratevi che l'utensile sia spento quando inserite le batterie nell'utensile.

### Non forzate il cavo di collegamento elettrico

Non usate il cavo elettrico del carica batterie per muoverlo e non tirate il cavo per scollegarlo dalla presa. Mantenete il cavo lontano da fonti di calore, olio e spigoli taglienti.

### Conservazione dell'utensile dopo l'uso

Quando non è in uso, l'utensile, le batterie e i caricabatterie devono essere riposti in un luogo asciutto e fuori dalla portata dei bambini.

### Mantenere l'utensile con cura

Mantenere gli utensili da taglio affilati e puliti in modo da ottenere una miglior e più sicura resa. Seguire le istruzioni di manutenzione e cambio di accessori. Mantenere le impugnature e gli interruttori asciutti, puliti e senza tracce di olio o grassi.

### Riparazioni

Questo utensile è conforme ai relativi requisiti di sicurezza. Le riparazioni devono essere eseguite soltanto da personale qualificato e con pezzi di ricambio originali, per evitare di esporre gli utenti a considerevoli rischi.

## Istruzioni di sicurezza aggiuntive per batterie e caricabatteria

### Batterie

- ◆ Non tentate di aprirle in nessuna circostanza.
- ◆ Non fatele bagnare.
- ◆ Non riponetele in luoghi dove la temperatura possa oltrepassare i 40 °C.
- ◆ Caricatele solo ad una temperatura ambientale compresa tra i 4 °C ed i 40 °C.
- ◆ Caricate la batteria usando soltanto il caricabatteria fornito con l'utensile (vedete i dati tecnici).
- ◆ Prima di caricare la batteria assicuratevi che sia pulita ed asciutta.
- ◆ Usate soltanto il tipo adeguato di batteria per l'utensile (vedete i dati tecnici).
- ◆ Prima di gettare le batterie esaurite, vi preghiamo di leggere le istruzioni specificate nella sezione "Protezione dell'ambiente".
- ◆ In condizioni estreme, la batteria può perdere liquido. Nel caso doveste notare la presenza di liquido sulla batteria, procedere come di seguito specificato:
  - Asciugate il liquido con un panno. Evitate il contatto con la pelle.
  - In caso di contatto con la pelle o con gli occhi, seguite le istruzioni di seguito riportate.

**Attenzione!** Il liquido delle batterie, una soluzione al 25-30% di idrossido di potassio, può essere pericoloso. In caso di contatto con la pelle, lavare immediatamente con abbondante acqua, quindi neutralizzarne l'azione con una soluzione leggermente acida come succo di limone o aceto. In caso di contatto con gli occhi, risciacquare abbondantemente con acqua pulita per 10 minuti almeno. Rivolgersi a un medico.



Pericolo d'incendio! Evitare di mettere in cortocircuito i contatti della batteria rimossa con oggetti metallici (ad es. con un mazzo di chiavi tenute nello stesso scomparto insieme alla batteria).



Non incenerire la batteria.



Non caricate batterie danneggiate.

### Caricabatteria

- ◆ Usate il vostro caricabatteria Black & Decker per caricare le batterie fornite con il vostro utensile. Altri tipi di batterie potrebbero esplodere, provocando danni personali e materiali.
- ◆ Non tentate mai di ricaricare una batteria non ricaricabile.

- ◆ Cambiate immediatamente i cavi difettosi.
- ◆ Fate attenzione a non bagnare il caricabatteria.
- ◆ Non aprite il caricabatteria.
- ◆ Non testare il caricabatteria.



Da usarsi soltanto in interni.

### Sicurezza elettrica



Il caricatore è fornito di doppio isolamento, per la quale non è richiesta la messa a terra. Assicurarsi che la tensione del caricatore corrisponda a quella erogata dalla rete. Non cercate di rimpiazzare il carica batteria inserendo l'utensile in una presa di corrente.

## Funzioni (fig. A)

Sull'utensile sono presenti tutte le seguenti funzioni, o alcune di esse.

1. Interruttore di velocità variabile o interruttore on / off a due velocità
2. Selettore avanti/indietro
3. Selettore modo / anello di regolazione coppia di serraggio
4. Mandrino
5. Batteria
6. Pulsante di sgancio batteria
7. Caricabatteria
8. Base di ricarica
9. Connettore per caricabatteria
10. Spina del caricabatteria

## Montaggio

### Inserimento ed estrazione della batteria (fig. B)

- ◆ Per alloggiare la batteria (5), allinearla alla base dell'utensile. Fare scivolare la batteria nella base fino a che non si inserisce con uno scatto.
- ◆ Per togliere la batteria, premete simultaneamente i due pulsanti di sgancio (6) ed allo stesso tempo tirate fuori la batteria dal ricettacolo.

### Inserimento ed estrazione di una punta per trapano o per cacciavite (fig. A & C)

**Attenzione!** Prima di tutto rimuovere la batteria dall'utensile.

L'utensile è dotato di un mandrino senza chiave che permette cambiare con facilità le punte.

- ◆ Bloccare l'utensile collocando il selettore avanti / indietro (2) nella posizione centrale (fig. A).
- ◆ Aprire il mandrino girando con una mano la parte anteriore (11) e sorreggendo con l'altra la parte posteriore (12) (fig. C).
- ◆ Inserire lo stelo della punta (13) nel mandrino.

- ◆ Stringete fortemente il mandrino girando con una mano la parte anteriore (11) mentre con l'altra mano sorreggete la parte posteriore (12).

## Rimozione e reinserimento del mandrino (fig. D)

- ◆ Aprire il mandrino quanto più possibile.
- ◆ Estrarre la vite che fissa il mandrino, ruotandola in senso orario con un cacciavite.
- ◆ Bloccare una chiave Allen (14) nel mandrino e percuoterla con un martello, come mostrato.
- ◆ Asportare la chiave Allen.
- ◆ Rimuovere il mandrino, ruotandolo in senso antiorario.
- ◆ Per rimontare il mandrino, avvitare sull'alberino e bloccarlo con l'apposita vite di ritegno.

## Uso

### Caricamento della batteria

La batteria deve essere caricata prima di usarla per la prima volta, e poi ogni volta che non riesce a produrre l'energia sufficiente ad eseguire lavori che prima venivano svolti con facilità. Una batteria nuova, o una batteria che non è stata usata per un lungo periodo di tempo, funziona al massimo delle prestazioni solo dopo circa 5 cicli di carica e scarica. La batteria si può riscaldare durante il processo di carica; è normale e non è indicativo di nessun problema.

**Attenzione!** Non caricare la batteria ad una temperatura ambiente inferiore a 4 °C o superiore a 40 °C. La temperatura di carica consigliata è di circa 24 °C.

### Caricabatteria con base (fig. E)

- ◆ Per caricare la batteria (5), toglierla dall'utensile ed inserirla nella base del caricabatteria (8). La batteria s'inserisce nella base in un solo verso. Non forzarla. Accertare che la batteria sia perfettamente inserita nella base del caricabatteria.
- ◆ Inserire la spina del caricabatteria.

Dopo un uso normale, 3 ore di carica danno una potenza sufficiente per la maggior parte delle applicazioni. Ad ogni modo, un'ulteriore carica fino a 6 ore potrebbe aumentare considerevolmente il tempo d'utilizzo, a seconda della batteria e delle condizioni di carica.

- ◆ Togliere la batteria dal caricabatteria.

### Caricabatteria senza base (fig. F)

- ◆ Per caricare la batteria, verificare che sia montata sul trapano.
- ◆ Inserire la spina del caricabatteria (10) nel connettore (9).
- ◆ Inserire la spina del caricabatteria.

Dopo un uso normale, 3 ore di carica danno una potenza sufficiente per la maggior parte delle applicazioni. Ad ogni modo, un'ulteriore carica fino a 6 ore potrebbe aumentare considerevolmente il tempo d'utilizzo, a seconda della batteria e delle condizioni di carica.

- ◆ Scollegare l'utensile dal caricabatteria.

**Attenzione!** Non usare l'utensile mentre è collegato al caricabatteria.


### Selezione del senso di rotazione (fig. A)

Per trapanare e avvitare selezionare il senso di rotazione in avanti (senso orario). Per svitare o per togliere una punta inceppata, selezionare il senso inverso (antiorario).

- ◆ Per selezionare la rotazione in avanti, spingere il selettore avanti / indietro (2) verso sinistra.
- ◆ Per selezionare la rotazione indietro, spingere il selettore avanti / indietro a destra.
- ◆ Per bloccare l'utensile, collocare il selettore avanti / indietro nella posizione centrale.

### Selezione del modo operativo o della coppia di serraggio (fig. G)

Questo utensile è dotato di una ghiera che permette di regolare la coppia di serraggio alla quale avvitare le viti. Viti grandi e materiali duri richiedono una coppia di serraggio più elevata rispetto a viti piccole e materiali morbidi. La ghiera ha un'ampia gamma di impostazioni adatte ad ogni applicazione.

- ◆ Per trapanare legno, metallo e plastica, collocare l'anello (3) nella posizione di trapanatura allineando il simbolo  alla tacca (15).
- ◆ Per usare l'utensile come cacciavite, collocare l'anello sull'impostazione desiderata. Se non si è ancora pratici delle impostazioni corrette, procedere come segue:
  - ◆ Collocare la ghiera (3) sull'impostazione della coppia di serraggio più bassa.
  - ◆ Stringere la prima vite.
  - ◆ Se la frizione si arresta prima che si sia ottenuto il risultato desiderato, regolare la ghiera su un valore maggiore e continuare a stringere la vite. Ripetere l'operazione fino ad ottenere l'impostazione corretta. Fare uso di quest'impostazione per tutte le altre viti.

### Accensione e spegnimento

#### Interruttore per il cambio di velocità

- ◆ Per accendere l'utensile, premere l'interruttore variatore di velocità (1). La velocità dell'utensile dipende dalla pressione esercitata sull'interruttore.
- ◆ Per spegnere l'utensile, rilasciare l'interruttore per il cambio di velocità.

### Interruttore on / off a due velocità

- ◆ Per accendere l'utensile, premere l'interruttore on / off (1). Se si preme leggermente l'interruttore l'attrezzo funziona a bassa velocità; se si aumenta la pressione sull'interruttore, l'attrezzo funziona ad alta velocità.
- ◆ Per spegnere l'utensile, rilasciare l'interruttore per il cambio di velocità.

### Consigli per un'ottima utilizzazione

#### Trapanare

- ◆ Applicare sempre una leggera pressione in linea retta con la punta.
- ◆ Prima che la punta fuoriesca dall'altra parte del pezzo in lavorazione, diminuire la pressione sull'utensile.
- ◆ Usare un blocco di legno per sostenere i pezzi in lavorazione che si possono scheggiare.
- ◆ Usare punte a pala per praticare fori di diametro largo su legno.
- ◆ Usare punte HSS per trapanare i metalli.
- ◆ Usare un lubrificante per trapanare metalli diversi da ottone e ferro.
- ◆ Per aumentare l'accuratezza della trapanatura, fare una tacca con un punteruolo nel centro del punto da trapanare.

#### Avvitare

- ◆ Usare sempre la punta di cacciavite di tipo e misura esatti.
- ◆ Se le viti sono difficili da stringere, provare ad applicare una piccola quantità di liquido detergente o sapone come lubrificante.
- ◆ Mantenere sempre l'utensile e la punta in linea retta rispetto alla vite.

### Manutenzione

Questo utensile Black & Decker è stato progettato per funzionare a lungo con un minimo di manutenzione. La continuità e l'alto livello delle prestazioni dipendono dall'adeguata cura dell'utensile e dalla pulizia sistematica. Il caricabatteria non richiede di nessun tipo di manutenzione oltre a una regolare pulizia.

**Attenzione!** Prima di eseguire qualsiasi tipo di manutenzione dell'utensile, estrarne le batterie. Scollegare il caricatore dalla presa elettrica prima di pulirlo.

- ◆ Le prese di ventilazione dell'utensile vanno pulite regolarmente con un pennello morbido o un panno asciutto.
- ◆ Il vano del motore va pulito regolarmente con un panno umido. Non usare materiali abrasivi o detergenti a base di solventi.
- ◆ Aprire regolarmente il mandrino e colpirlo leggermente per togliere tutta la polvere dall'interno.

### Protezione dell'ambiente

#### Utensili



Black & Decker offre ai suoi clienti la possibilità di riciclare i prodotti Black & Decker e le batterie ricaricabili che hanno esaurito la loro vita di servizio. Il servizio viene offerto gratuitamente. Per utilizzarlo, è sufficiente restituire il prodotto a qualsiasi tecnico autorizzato, incaricato della raccolta per conto dell'azienda.

#### Batterie



Le batterie della Black & Decker si possono ricaricare più volte: al termine della loro vita di servizio, vanno messe negli appositi contenitori, per garantirne lo smaltimento nel rispetto dell'ambiente.

- ◆ Quando è completamente esaurita, la batteria va estratta dall'utensile.
- ◆ Le batterie NiCd e NiMH sono riciclabili e vanno consegnate a qualsiasi tecnico autorizzato o portate presso un impianto di riciclaggio.

Per individuare il tecnico autorizzato più vicino, rivolgersi alla sede Black & Decker locale, presso il recapito indicato nel presente manuale. Altrimenti un elenco completo di tutti i tecnici autorizzati Black & Decker e i dettagli completi sui contatti e i servizi post-vendita sono disponibili su Internet presso: [www.2helpU.com](http://www.2helpU.com).

#### Dati tecnici

		KC96	AST2 KC12
Tensione	$V_{DC}$	9,6	12
Velocità senza carico	$min^{-1}$	\$	0 - 700
Coppia max. di serraggio	Nm	\$	9,3
Capacità del mandrino	mm	10	10
Capacità mas. di foratura acciaio/legno	mm	\$/ \$	\$/ \$

		AST12	KC14
Tensione	$V_{DC}$	12	14,4
Velocità senza carico	$min^{-1}$	350/700	0 - 700
Coppia max. di serraggio	Nm	9,3	9,4
Capacità del mandrino	mm	10	10
Capacità mas. di foratura acciaio/legno	mm	\$/ \$	\$/ \$

Batteria		A9242	A9252	A9262
Tensione	$V_{DC}$	9,6	12	14,4
Capacità	Ah	1,3	1,3	1,3

**Caricabatteria**

Tensione di rete	$V_{AC}$	230
Tempo approssimato di carica	h	3

**Dichiarazione CE di conformità**

Black & Decker dichiara che questi utensili sono stati costruiti in conformità a:

EN 50260, EN 55014, EN 60335, EN 61000

$L_{PA}$  (rumorosità): 70 dB(A),  $L_{WA}$  (potenza sonora) 83 dB(A),  
vibrazioni mano-braccio < 2.5 m/s<sup>2</sup>



Colin Wills  
Director of Engineering  
BDCI, 4/F, 2 Dai Wang Street  
Tai Po Industrial Estate  
Tai Po NT, Hong Kong

**Garanzia**

Certa della qualità dei suoi prodotti, Black & Decker offre una garanzia eccezionale. Il presente certificato di garanzia è complementare ai diritti statutari e non li pregiudica in alcun modo. La garanzia è valida entro il territorio degli Stati membri dell'Unione Europea e dell'EFTA (European Free Trade Area).

Se un prodotto Black & Decker risulta difettoso per qualità del materiale, della costruzione o per mancata conformità entro 24 mesi dalla data di acquisto, Black & Decker garantisce la sostituzione delle parti difettose, provvede alla riparazione dei prodotti se ragionevolmente usurati oppure alla loro sostituzione, in modo da ridurre al minimo il disagio del cliente a meno che:

- ◆ Il prodotto non sia stato destinato ad usi commerciali, professionali o al noleggio;
- ◆ Il prodotto non sia stato usato in modo improprio o scorretto;
- ◆ Il prodotto non abbia subito danni causati da oggetti o sostanze estranee oppure incidenti;
- ◆ Il prodotto non abbia subito tentativi di riparazione non effettuati da tecnici autorizzati né dall'assistenza Black & Decker.

Per attivare la garanzia è necessario esibire la prova comprovante l'acquisto al venditore o al tecnico autorizzato. Per individuare il tecnico autorizzato più vicino, rivolgersi alla sede Black & Decker locale, presso il recapito indicato nel presente manuale. Altrimenti un elenco completo di tutti i tecnici autorizzati Black & Decker e i dettagli completi sui contatti e i servizi post-vendita sono disponibili su Internet presso:

**[www.2helpU.com](http://www.2helpU.com)**.

## Gebruik volgens bestemming

Uw Black & Decker schroef/boormachine is bedoeld voor het in- en uitdraaien van schroeven en voor het boren in hout, metaal en kunststoffen. Deze machine is uitsluitend bestemd voor consumentengebruik. Uw Black & Decker oplader is ontworpen voor het opladen van Black & Decker accu's van het type dat bij deze machine wordt geleverd.

## Veiligheidsvoorschriften

- ◆ **Waarschuwing!** Bij het gebruik van accugevoede machines dienen ter bescherming tegen brandgevaar, vrijkomen van accuvloeistof, letsel en materiële schade altijd gepaste veiligheidsmaatregelen in acht te worden genomen, waaronder de volgende veiligheidsvoorschriften.
- ◆ Lees de gebruiksaanwijzing aandachtig door voordat u met de machine gaat werken.
- ◆ Bewaar deze instructies zorgvuldig!

### Zorg voor een opgeruimde werkomgeving

Een rommelige werkomgeving leidt tot ongelukken.

### Houd rekening met omgevingsinvloeden

Stel de machine niet bloot aan regen. Gebruik de machine niet in een vochtige of natte omgeving. Zorg dat de werkomgeving goed is verlicht. Gebruik de machine niet op plaatsen waar brand- of explosiegevaar bestaat, b.v. in de buurt van brandbare vloeistoffen of gassen.

### Houd kinderen uit de buurt

Houd kinderen, bezoekers en dieren buiten het werkgebied en laat ze de machine niet aanraken.

### Draag geschikte werkkleding

Draag geen wijde kleding of loshangende sieraden. Deze kunnen door de bewegende delen worden gegrepen. Draag bij het werken buitenshuis bij voorkeur rubber werkhandschoenen en schoenen met profielzolen. Houd lang haar bijeen.

### Persoonlijke bescherming

Draag altijd een veiligheidsbril. Draag een gezichts- of stofmasker bij werkzaamheden waarbij stofdeeltjes of spanen vrijkomen. Draag altijd gehoorbescherming als het geluidsniveau onaangenaam hoog is.

### Zorg voor een veilige houding

Zorg altijd voor een juiste, stabiele houding.

### Blijf voortdurend opletten

Houd uw aandacht bij uw werk. Ga met verstand te werk. Gebruik de machine niet als u niet geconcentreerd bent.

### Klem het werkstuk goed vast

Gebruik klemmen of een bankschroef om het werkstuk te fixeren. Dit is veiliger, bovendien kan de machine dan met beide handen worden bediend.

### Sluit de uitrusting van de stofafvoer aan

Indien hulpmiddelen zijn meegeleverd voor de aansluiting van stofafvoer en voorzieningen voor stofopvang, zorg dan dat deze zijn aangesloten en naar behoren worden gebruikt.

## Verwijder sleutels en hulpgereedschappen

Controleer vóór het inschakelen altijd of sleutels en andere hulpgereedschappen zijn verwijderd.

### Gebruik de juiste machine

Het gebruik volgens bestemming is beschreven in deze handleiding. Gebruik geen te lichte machine of hulpstukken voor te zwaar werk. De machine werkt beter en veiliger indien u deze gebruikt voor het beoogde doel. Overbelast de machine niet.

**Waarschuwing!** Gebruik ter voorkoming van lichamelijk letsel uitsluitend de in deze gebruiksaanwijzing aanbevolen accessoires en hulpstukken. Gebruik de machine uitsluitend volgens bestemming.

### Controleer de machine op beschadigingen

Controleer de machine voor gebruik op schade. Controleer of alle bewegende delen correct gemonteerd zijn, of er geen onderdelen gebroken zijn, of er geen beschermkappen en schakelaars beschadigd zijn en of er andere gebreken zijn die invloed op de werking van de machine zouden kunnen hebben. Vergewis u er van dat de machine correct werkt. Gebruik de machine niet als enig onderdeel defect is. Gebruik de machine niet als de aan/uit-schakelaar niet werkt. Defecte onderdelen dienen door een erkend servicecentrum te worden gerepareerd of vervangen. Probeer nooit om de machine zelf te repareren.

### Verwijder de accu

Neem de accu van de machine als u de machine niet gebruikt, voordat u gereedschappen, accessoires of onderdelen van de machine verwisselt en voordat u onderhoud aan de machine uitvoert.

### Voorkom onbedoeld inschakelen

Draag de machine niet met uw vingers aan de aan/uit-schakelaar. Vergewis u er van dat de machine is uitgeschakeld als u de accu aanbrengt.

### Misbruik het snoer niet

Draag de oplader nooit aan het snoer. Trek niet aan het snoer om de stekker uit het stopcontact te verwijderen. Houd het snoer uit de buurt van warmtebronnen, olie en scherpe randen.

### Berg de machine veilig op

Berg de machine, oplader en accu na gebruik op in een droge ruimte, buiten het bereik van kinderen.

### Onderhoud de machine met zorg

Houd snijgereedschappen scherp en schoon om beter en veiliger te kunnen werken. Houdt u aan de instructies met betrekking tot het onderhoud en het vervangen van accessoires. Houd de handgrepen en schakelaars droog en vrij van olie en vet.

### Reparaties

Deze machine voldoet aan de geldende veiligheidseisen. Reparaties mogen uitsluitend worden uitgevoerd door bevoegde vakmensen en met behulp van originele reserveonderdelen; anders kan er een aanzienlijk gevaar voor de gebruiker ontstaan.

## Aanvullende veiligheidsvoorschriften voor accu's en opladers

### Accu's

- ◆ Probeer nooit een accu te openen.
- ◆ Stel accu's niet aan water bloot.
- ◆ Bewaar accu's niet op plaatsen waar de temperatuur 40 °C kan overschrijden.
- ◆ Laad accu's uitsluitend op bij een omgevingstemperatuur tussen 4 °C en 40 °C.
- ◆ Laad accu's uitsluitend op met behulp van de meegeleverde oplader (zie technische gegevens).
- ◆ Controleer voor het opladen of de accu droog en schoon is.
- ◆ Gebruik het juiste type accu voor de machine (zie technische gegevens).
- ◆ Volg bij het afdanken van accu's de instructies in de paragraaf "Milieu" op.
- ◆ Onder extreme gebruikscondities kan er vloeistof uit de accu vrijkomen. Als u vloeistof op de accu opmerkt, gaat u als volgt te werk:
  - Verwijder met behulp van een doekje voorzichtig de vloeistof van de accu. Vermijd huidcontact.
  - Als de vloeistof toch in aanraking komt met de huid of de ogen, volgt u de onderstaande instructies op.

**Waarschuwing!** De accuvloeistof bestaat uit een 25-30 % oplossing van kaliumhydroxide en kan gevaarlijk zijn. Indien accuvloeistof met de huid in aanraking is gekomen, spoel dan de huid onmiddellijk met water af. Neutraliseer de vloeistof met een zwak zuur zoals citroensap of azijn. Indien de accuvloeistof in de ogen is gekomen, spoel de ogen dan gedurende minimaal 10 minuten met schoon stromend water. Raadpleeg vervolgens een arts.



Voorkom kortsluiting tussen de contactpunten van een losse accu (bijv. door het bewaren van sleutels in dezelfde zak als de accu).



Verbrand de accu nooit.



Probeer nooit een beschadigde accu op te laden.

### Opladers

- ◆ Gebruik uw Black & Decker oplader uitsluitend voor het opladen van accu's van het meegeleverde type. Andere accu's kunnen barsten, wat tot letsel en materiële schade kan leiden.
- ◆ Probeer nooit om niet oplaadbare batterijen op te laden.
- ◆ Laat een defect netsnoer onmiddellijk vervangen.

- ◆ Stel de oplader niet aan water bloot.
- ◆ Open de oplader niet.
- ◆ Steek geen voorwerpen in het inwendige van de oplader.



Uitsluitend voor gebruik binnenshuis.

### Elektrische veiligheid



Uw oplader is dubbel geïsoleerd. Een aarddraad is daarom niet vereist. Controleer of de ingangsspanning van de oplader overeenkomt met de netspanning. Vervang de oplader nooit door een netstekker.

### Onderdelen (fig. A)

Al naar gelang de uitvoering beschikt deze machine over de volgende onderdelen.

1. Variabele snelheidsknop of twee-snelheden aan/uit schakelaar
2. Links/rechtsschuif
3. Modusselectie/koppelstelkraag
4. Boorhouder
5. Accu
6. Accu-ontgrendelingsknop
7. Oplader
8. Oplaadstation
9. Connector voor oplader
10. Stekker voor oplader

### Montage

#### Aanbrengen en verwijderen van de accu (fig. B)

- ◆ Om de accu (5) aan te brengen, houdt u hem voor de houder in de machine. Schuif de accu in de houder en duw deze aan totdat hij vastklikt.
- ◆ Om de accu te verwijderen, drukt u de twee ontgrendelingsknoppen (6) tegelijk in en trekt de accu uit de houder.

#### Aanbrengen en verwijderen van een boorbit of schroefbit (fig. A & C)

**Waarschuwing!** Verwijder eerst de accu uit de machine.

Deze machine is voorzien van een snelspanboorhouder voor het eenvoudig verwisselen van bits.

- ◆ Vergrendel de machine door de links/rechtsschuif (2) in de middenpositie te zetten (fig. A).
- ◆ Open de boorhouder door met één hand aan het voorste deel (11) te draaien en ondertussen met de andere hand het achterste deel (12) vast te houden (fig. C).
- ◆ Steek de schacht van de boor of bit (13) in de boorhouder.
- ◆ Draai de boorhouder stevig vast door met één hand aan het voorste deel (11) te draaien en ondertussen met de andere hand het achterste deel (12) vast te houden.



## Verwijderen en opnieuw aanbrengen van de boorhouder (fig. D)

- ◆ Open de boorhouder zo ver als mogelijk.
- ◆ Verwijder de borgschroef van de boorhouder door hem rechtsom te draaien met behulp van een schroevendraaier.
- ◆ Draai een inbussleutel (14) in de boorhouder en sla er met een hamer op zoals afgebeeld.
- ◆ Verwijder de inbussleutel.
- ◆ Verwijder de boorhouder door hem linksom te draaien.
- ◆ Om de boorhouder weer aan te brengen, schroeft u hem op de spindel en borgt u hem met behulp van een borgschroef.

## Gebruik

### Opladen van de accu

De accu moet worden opgeladen voor het eerste gebruik alsmede zodra hij niet meer genoeg energie levert voor werkzaamheden die eerder moeiteloos konden worden verricht. Een nieuwe accu, of een accu die gedurende lange tijd niet gebruikt is, zal pas optimaal werken na ongeveer vijf cycli van volledig opladen en volledig ontladen. Tijdens het opladen kan de accu warm aanvoelen. Dit is normaal en duidt niet op een defect.

**Waarschuwing!** Laad de accu niet op bij omgevingstemperaturen onder 4 °C of boven 40 °C.  
Aanbevolen oplaadtemperatuur: ca. 24 °C.

### Oplader met oplaadstation (fig. E)

- ◆ Om de accu (5) op te laden, haalt u deze uit de machine en steekt hem in het oplaadstation (8). De accu past slechts op één manier in het oplaadstation. Niet forceren. Verzeker u ervan dat de accu volledig in het oplaadstation is geplaatst.
- ◆ Steek de stekker van de oplader in het stopcontact.

Na normaal gebruik zal een oplaadperiode van 3 uur voldoende zijn voor de meeste toepassingen. Een verdere oplading tot 6 uur zal echter, afhankelijk van de toestand van de accu en de oplaadomstandigheden, de gebruikstijd sterk verlengen.

- ◆ Verwijder de accu uit de oplader.

### Oplader zonder oplaadstation (fig. F)

- ◆ Om de accu op te laden moet u ervoor zorgen dat deze in de boormachine is geplaatst.
- ◆ Steek de stekker van de oplader (10) in de connector (9).
- ◆ Steek de stekker van de oplader in het stopcontact.

Na normaal gebruik zal een oplaadperiode van 3 uur voldoende zijn voor de meeste toepassingen. Een verdere oplading tot 6 uur zal echter, afhankelijk van de toestand van de accu en de oplaadomstandigheden, de gebruikstijd sterk verlengen.

- ◆ Ontkoppel de machine van de oplader.

**Waarschuwing!** Gebruik het gereedschap niet terwijl hij gekoppeld is aan de oplader.

### Selecteren van de draairichting (fig. A)

Kies voor boren en schroeven indraaien de draairichting rechtsom (met de klok mee). Kies voor schroeven losdraaien of voor het verwijderen van een vastgelopen boorbit de draairichting linksom (tegen de klok in).

- ◆ Om de draairichting rechtsom te selecteren, drukt u de links/rechts-schuif (2) naar links.
- ◆ Om de draairichting linksom te selecteren, drukt u de links/rechts-schuif (2) naar rechts.
- ◆ Om de machine te vergrendelen, zet u de links/rechts-schuif in de middenpositie.

### De werkmodus of het koppel selecteren (fig. G)

Deze machine is voorzien van een kraag om de werkmodus te selecteren en het koppel in te stellen voor het vastdraaien van schroeven. Grote schroeven en werkstukken van harde materialen vereisen een hogere koppelinstelling dan kleine schroeven en werkstukken van zachte materialen. De kraag bevat een groot aantal instellingen om op uw toepassing af te stellen.

- ◆ Voor boren in hout, metaal en kunststoffen zet u de kraag (3) in de boorpositie door het symbool  op één lijn met de markering (15) te brengen.
- ◆ Voor schroevendraaien zet u de kraag in de gewenste stand. Als u de geschikte stand nog niet kent, gaat u als volgt te werk:
  - ◆ Zet de kraag (3) op de laagste koppelinstelling.
  - ◆ Draai de eerste schroef in.
  - ◆ Als de koppeling slipt voordat het gewenste resultaat is bereikt, verhoogt u de koppelstand en vervolgt u het indraaien van de schroef. Herhaal totdat u de juiste stand bereikt. Gebruik deze stand voor de resterende schroeven.

## In- en uitschakelen

### Schakelaar voor elektronisch regelbaar toerental

- ◆ Om de machine in te schakelen, drukt u de variabele-snelheidsschakelaar (1) in. De machinesnelheid hangt af van hoever u de schakelaar indrukt.
- ◆ Om de machine uit te schakelen, laat u de variabele-snelheidsschakelaar los.

### Twee snelheden aan/uit schakelaar

- ◆ Om de machine in te schakelen, drukt u de aan/uitschakelaar (1) in. Als de schakelaar lichtjes wordt ingedrukt, loopt de machine op lage snelheid. Als de schakelaar verder wordt ingedrukt, loopt de machine op hoge snelheid.
- ◆ Om de machine uit te schakelen, laat u de variabele-snelheidsschakelaar los.

## Tips voor optimaal gebruik

### Boren

- ◆ Voer altijd lichte druk uit in een rechte lijn met de boorbit.
- ◆ Verminder de druk op de machine net voordat de boorpunt door de andere kant van het werkstuk heengaat.
- ◆ Gebruik een blok hout om werkstukken die kunnen versplinteren te beschermen.
- ◆ Gebruik houtboorbits voor boren van grote gaten in hout.
- ◆ Gebruik HSS-boorbits voor boren in metaal.
- ◆ Gebruik een smeermiddel voor boren in andere metalen dan gietijzer en koper.
- ◆ Maak een inkerving met behulp van een centerpons in het midden van het te boren gat om de nauwkeurigheid te vergroten.

### Schroevendraaien

- ◆ Gebruik altijd het juiste type en de juiste maat schroefbit.
- ◆ Als schroeven moeilijk in te draaien zijn, gebruik dan een beetje vloeibaar wasmiddel of zeep als smeermiddel.
- ◆ Houd de machine en schroefbit altijd in een rechte lijn met de schroef.

## Onderhoud

Uw Black & Decker machine is ontworpen om gedurende langere periode te functioneren met een minimum aan onderhoud. Voortdurend tevreden gebruik is afhankelijk van correct onderhoud en regelmatig schoonmaken.

Uw oplader heeft geen ander onderhoud dan een regelmatige reiniging.

**Waarschuwing!** Verwijder de accu van de machine alvorens onderhoudswerkzaamheden uit te voeren. Koppel voor het reinigen van de oplader de netstekker los van het lichtnet.

- ◆ Reinig regelmatig de ventilatieopeningen van uw machine met een zachte borstel of een droge doek.
- ◆ Reinig regelmatig de behuizing van de motor met een vochtige doek. Gebruik geen schuur- of oplosmiddel.
- ◆ Open regelmatig de boorhouder en tik zachtjes om eventueel stof uit de binnenkant te verwijderen.

## Milieu

### Machines



Black & Decker biedt de mogelijkheid tot recyclen van afgedankte Black & Decker producten en accu's. Deze service is kosteloos. Om gebruik van deze service te maken, dient u het product aan een van onze servicecentra te sturen, die voor ons de inzameling verzorgen.

### Accu's



Black & Decker accu's kunnen vele malen opnieuw worden opgeladen. Versleten accu's dienen op milieubewuste wijze te worden verwijderd:

- ◆ Gebruik de energie van de accu helemaal op en verwijder hem dan van de machine.
- ◆ NiCd- en NiMH-accu's zijn te recyclen. Breng ze naar een servicecentrum of naar een plaatselijk verwerkingscentrum voor klein chemisch afval.

U kunt het adres van het dichtstbijzijnde servicecentrum opvragen via de adressen op de achterzijde van deze handleiding. U kunt ook een lijst van onze servicecentra en meer informatie m.b.t. onze klantenservice vinden op het volgende Internet-adres: [www.2helpU.com](http://www.2helpU.com).

### Technische gegevens

		KC96	AST2 KC12
Spanning	$V_{DC}$	9,6	12
Onbelast toerental	$min^{-1}$	\$	0 - 700
Max. koppel	Nm	\$	9,3
Boorhoudercapaciteit	mm	10	10
Max. boorcapaciteit in staal/hout	mm	\$/ \$	\$/ \$

		AST12	KC14
Spanning	$V_{DC}$	12	14,4
Onbelast toerental	$min^{-1}$	350/700	0 - 700
Max. koppel	Nm	9,3	9,4
Boorhoudercapaciteit	mm	10	10
Max. boorcapaciteit in staal/hout	mm	\$/ \$	\$/ \$

Accu		A9242	A9252	A9262
Spanning	$V_{DC}$	9,6	12	14,4
Capaciteit	Ah	1,3	1,3	1,3

### Oplader

Netspanning	$V_{AC}$	230
Gemiddelde oplaadtijd	h	3

## EG-verklaring van overeenstemming

Black & Decker verklaart dat deze machines in  
overeenstemming zijn met:

EN 50260, EN 55014, EN 60335, EN 61000

$L_{pA}$  (geluidsdruk): 70 dB(A),  $L_{WA}$  (geluidsvermogen) 83 dB(A),  
gewogen kwadratische gemiddelde waarde van de versnelling  
< 2.5 m/s<sup>2</sup>



Colin Wills  
Director of Engineering  
BDCI, 4/F, 2 Dai Wang Street  
Tai Po Industrial Estate  
Tai Po NT, Hong Kong

## Garantie

Black & Decker heeft vertrouwen in zijn producten en biedt een uitstekende garantie. Deze garantiebepalingen vormen een aanvulling op uw wettelijke rechten en beperken deze niet. De garantie geldt in de lidstaten van de Europese Unie en de Europese Vrijhandelsassociatie.

Mocht uw Black & Decker product binnen 24 maanden na datum van aankoop defect raken tengevolge van materiaal- of constructiefouten, dan garanderen wij de kosteloze vervanging van defecte onderdelen, de reparatie van het product of de vervanging van het product, tenzij:

- ◆ Het product is gebruikt voor handelsdoeleinden, professionele toepassingen of verhuurdoeleinden;
- ◆ Het product onoordeelkundig is gebruikt;
- ◆ Het product is beschadigd door invloeden van buitenaf of door een ongeval;
- ◆ Reparaties zijn uitgevoerd door anderen dan onze servicecentra of Black & Decker personeel.

Om een beroep op de garantie te doen, dient u een aankoopbewijs te overhandigen aan de verkoper of een van onze servicecentra. U kunt het adres van het dichtstbijzijnde servicecentrum opvragen via de adressen op de achterzijde van deze handleiding. U kunt ook een lijst van onze servicecentra en meer informatie m.b.t. onze klantenservice vinden op het volgende Internet-adres: **[www.2helpU.com](http://www.2helpU.com)**.

## Finalidad

La taladradora/atornillador Black and Decker ha sido diseñada para trabajos de atornillamiento y para taladrar madera, metal y plásticos

Esta herramienta está pensada únicamente para uso doméstico. Su cargador Black & Decker está diseñado para cargar baterías Black & Decker del tipo suministrado con la herramienta.

## Instrucciones de seguridad

- ◆ **¡Atención!** Cuando use herramientas alimentadas por batería, debe adoptar siempre las precauciones de seguridad básicas, incluidas las siguientes, a fin de reducir el riesgo de incendio, pérdida del líquido de las baterías, lesiones personales y daños materiales.
- ◆ Lea completamente este manual antes de utilizar la herramienta.
- ◆ Mantenga a mano este manual para consultas posteriores.

### Mantenga limpia el área de trabajo

Un área o un banco de trabajo en desorden aumentan el riesgo de accidentes.

### Tenga en cuenta el entorno del área de trabajo

No exponga herramientas a la humedad.

Procure que el área de trabajo esté bien iluminada. No utilice la herramienta donde exista riesgo de incendio o explosión, p. ej. en la proximidad de líquidos o gases inflamables.

### ¡Mantenga alejados a los niños!

No permita que niños, otras personas o animales se acerquen al área de trabajo o toquen la herramienta.

### Vista ropa de trabajo apropiada

No lleve vestidos anchos ni joyas. Estos podrían ser atrapados por piezas en movimiento. Para trabajos en el exterior, se recomienda llevar guantes de goma y calzado de suela antideslizante. Si tiene el pelo largo, téngalo recogido y cubierto.

### Protección personal

Lleve gafas de protección. Utilice una mascarilla si el trabajo ejecutado produce polvo u otras partículas volantes. Lleve protectores para los oídos cuando el ruido pueda resultar molesto.

### No alargue demasiado su radio de acción

Mantenga un apoyo firme sobre el suelo y conserve el equilibrio en todo momento.

### Esté siempre alerta

Mire lo que está haciendo. Use el sentido común. No maneje la herramienta cuando está cansado.

### Sujete bien la pieza de trabajo

Utilice abrazaderas o un torno para sujetar la pieza de trabajo. Es más seguro que sujetarla con la mano y le permite utilizar ambas manos para manejar la herramienta.

### Conecte los accesorios para la extracción de polvo.

Si se suministran adaptadores para la conexión de accesorios extractores y para el almacenamiento del polvo, asegúrese de que se conectan y utilizan adecuadamente.

### Retire las llaves de maniobra

Antes de poner la herramienta en marcha, asegúrese de que las llaves y utensilios de reglaje hayan sido retirados.

### Utilice la herramienta adecuada

En este manual se explica para qué uso está destinada la herramienta. No utilice herramientas o dispositivos acoplables de potencia demasiado débil para ejecutar trabajos pesados. La herramienta funcionará mejor y con mayor seguridad al ser utilizada de acuerdo con sus características técnicas.

No fuerce la herramienta.

**¡Atención!** El uso de otros accesorios, adaptadores, o la propia utilización de la herramienta en cualquier forma diferente de las recomendadas en este manual de instrucciones puede constituir un riesgo de lesiones a las personas.

### Compruebe que no haya piezas averiadas

Antes de usarla, compruebe cuidadosamente que la herramienta no esté estropeada. Compruebe la posible existencia de piezas móviles mal alineadas o atascadas, la rotura de piezas, el posible daño de protectores e interruptores y cualquier otro aspecto que pueda afectar al funcionamiento de la herramienta. Asegúrese de que la herramienta puede funcionar adecuadamente y cumplir con el cometido para el que ha sido diseñada. No use la herramienta si hay alguna pieza defectuosa o averiada. No utilice la herramienta si no es posible apagar y encender el interruptor. Encargue al servicio técnico autorizado que repare o sustituya las piezas defectuosas o averiadas. Jamás intente repararla usted mismo.

### Extracción de la batería

Extraiga la batería cuando no esté usando la herramienta, antes de sustituir piezas, accesorios o acoplamientos, y antes de efectuar revisiones.

### Evite un arranque involuntario

Procure no tocar el conmutador de encendido/apagado mientras transporta la herramienta. Compruebe que la herramienta está desconectada antes de proceder a colocar la batería en la herramienta.

### Cuide el cable de alimentación

No lleve la herramienta por el cable, ni tire del cable para desenchufar la herramienta. Proteja el cable del calor, del aceite y de las aristas vivas.

### Guarde las herramientas que no utiliza

Las herramientas, cargadores y baterías que no se utilizan, deben estar protegiéndolos en un lugar seco y cerrado o elevado, fuera del alcance de los niños.

### Mantenga las herramientas asiduamente

Mantenga sus herramientas afiladas y limpias para trabajar mejor y más seguro. Siga las instrucciones para el mantenimiento y la sustitución de accesorios. Mantenga los mandos y conmutadores secos, limpios y libres de aceite y grasa.

### Reparaciones

Esta herramienta cumple las normas de seguridad aplicables.

Las reparaciones deben llevarse a cabo por personal cualificado, usando piezas de recambio originales; en caso contrario, podría ocasionarse un considerable riesgo para el usuario.

### Instrucciones de seguridad adicionales para baterías y cargadores

#### Baterías

- ◆ Nunca intente abrirlas por ningún motivo.
- ◆ No las exponga al agua.
- ◆ No las almacene en lugares donde la temperatura pueda exceder los 40 °C.
- ◆ Cargue las baterías únicamente a temperaturas entre 4 °C y 40 °C.
- ◆ Use únicamente el cargador suministrado para cargar la herramienta (consulte las características técnicas).
- ◆ Antes de cargarla, compruebe que la batería está seca y limpia.
- ◆ Use el tipo de batería correcto para la herramienta (consulte las características técnicas).
- ◆ Cuando deseche las baterías, siga las instrucciones reseñadas en la sección "Medio ambiente".
- ◆ Bajo condiciones extremas, la batería podría perder líquido. Si observa que la batería ha perdido líquido, proceda del modo siguiente:
  - Limpie cuidadosamente el líquido con un paño. Evite el contacto con la piel.
  - En caso de producirse contacto con la piel o los ojos, siga estas instrucciones.

**¡Atención!** El líquido una solución de un 25-30% de hidróxido de potasio, puede resultar nocivo. En caso de que entre en contacto con la piel, lávese inmediatamente con agua. Neutralícelo con un ácido suave como zumo de limón o vinagre. En caso de que entre en contacto con los ojos, láveselos con agua limpia abundante durante al menos 10 minutos. Consulte a un médico.



¡Peligro de incendio! Evite que se produzcan cortocircuitos metálicos en los contactos de una batería suelta (por ejemplo, no lleve llaves en el mismo bolsillo que una batería).



No arroje la batería al fuego.



No cargue baterías en mal estado.

#### Cargadores

- ◆ Use el cargador Black & Decker únicamente para cargar baterías del tipo suministrado. Otras baterías podrían estallar, causando daños y lesiones personales.
- ◆ No intente nunca cargar baterías no-recargables.
- ◆ Sustituya inmediatamente los cables defectuosos.
- ◆ No exponga el cargador al agua.
- ◆ No abra el cargador.
- ◆ No manipule el cargador.



Para uso exclusivo en interiores.

#### Seguridad eléctrica



Su cargador tiene doble aislamiento; por consiguiente, no se requiere conexión a tierra. El cargador ha sido diseñado para un solo voltaje. Compruebe siempre que el voltaje de la red corresponde al valor indicado en la placa de características. No intente nunca sustituir el cargador por un enchufe normal a la red.

### Características (fig. A)

Esta herramienta incluye alguna o todas las características siguientes.

1. Interruptor de velocidad variable o interruptor de encendido/apagado de dos velocidades
2. Guía de deslizamiento hacia adelante/atrás
3. Selector de modo/collarín de ajuste del par de torsión
4. Portabrocas
5. Batería
6. Botón liberador de batería
7. Cargador
8. Base de carga
9. Conector para cargador
10. Clavija del cargador

### Montaje

#### Colocación y retirada de la batería (fig. B)

- ◆ Para introducir la batería (5), colóquela en línea con el receptáculo de la herramienta. Deslice la batería en el receptáculo y empújela hasta que encaje en su sitio.
- ◆ Para retirar la batería, presione los dos botones de liberación (6) simultáneamente mientras extrae la batería del receptáculo.

#### Colocación y extracción de una broca o una punta para atornillar (fig. A & C)

**¡Atención!** Extraiga primero la batería de la herramienta.

Esta herramienta lleva un portabrocas sin llave para facilitar el intercambio de brocas.

- ◆ Bloquee la herramienta colocando la guía de deslizamiento hacia adelante/atrás (2) en la posición central (fig. A).
- ◆ Abra el portabrocas girando la pieza delantera (11) con una mano mientras sujeta la pieza posterior (12) con la otra (fig. C).
- ◆ Inserte el eje de la broca (13) en el portabrocas.
- ◆ Apriete firmemente el portabrocas girando la pieza delantera (11) con una mano mientras sujeta la pieza posterior (12) con la otra.

### Extracción y nuevo acoplamiento del portabrocas (fig. D)

- ◆ Abra el portabrocas al máximo posible.
- ◆ Quite el tornillo de sujeción del portabrocas girándolo en el sentido de las agujas del reloj con un destornillador.
- ◆ Apriete la llave Allen (14) en el portabrocas, golpeando con un martillo como se ilustra.
- ◆ Quite la llave Allen.
- ◆ Saque el portabrocas girándolo en sentido contrario a las agujas del reloj.
- ◆ Para volver a colocar el portabrocas, atorníllelo al eje y asegúrelo con el tornillo de sujeción del portabrocas.

## Uso

### Cargar la batería

La batería debe cargarse antes de usar la herramienta por primera vez y siempre que no tenga la suficiente potencia para las tareas que antes se realizaban fácilmente. Una batería nueva, o una batería que no haya sido utilizada durante un largo periodo, alcanza su máximo rendimiento solamente después de 5 ciclos de carga y descarga aproximadamente. Durante la carga, la batería podría calentarse; esto es normal y no indica ningún problema.

**¡Atención!** No cargue la batería a una temperatura ambiente inferior a 4 °C o superior a 40 °C. Temperatura recomendada de carga: aprox. 24 °C.

### Cargador con base de carga (fig. E)

- ◆ Para cargar la batería (5), extráigala de la herramienta e insértela en la base de carga (8). La batería encajará en el cargador sólo en un sentido. No la fuerce. Compruebe que la batería está totalmente insertada en la base de carga.
- ◆ Enchufe el cargador.

Tras una utilización normal, será suficiente con un tiempo de carga de 3 horas para la mayoría de las aplicaciones.

No obstante, una carga de hasta 6 horas podría incrementar, significativamente, el tiempo de uso, dependiendo de la batería y de las condiciones de carga.

- ◆ Extraiga la batería del cargador.

### Cargador sin base de carga (fig. F)

- ◆ Para cargar la batería, asegúrese de que está montada en la taladradora.
- ◆ Inserte la clavija del cargador (10) en el conector (9).
- ◆ Enchufe el cargador.

Tras una utilización normal, será suficiente con un tiempo de carga de 3 horas para la mayoría de las aplicaciones.

No obstante, una carga de hasta 6 horas podría incrementar, significativamente, el tiempo de uso, dependiendo de la batería y de las condiciones de carga.

- ◆ Desconecte la herramienta del cargador.

**¡Atención!** No utilice la herramienta mientras esté conectada al cargador.


### Selección de la dirección de rotación (fig. A)

Para taladrar y apretar tornillos, use la rotación hacia adelante (en el sentido de las agujas del reloj). Para aflojar tornillos o para extraer una broca atascada, use la rotación inversa (en sentido contrario a las agujas del reloj).

- ◆ Para seleccionar la rotación directa, empuje la guía de deslizamiento hacia adelante/atrás (2) hacia la izquierda.
- ◆ Para seleccionar la rotación inversa, empuje la guía de deslizamiento hacia adelante/atrás hacia la derecha.
- ◆ Para bloquear la herramienta, coloque la guía de deslizamiento hacia adelante/atrás en la posición central.

### Selección del modo de funcionamiento o del par de torsión (fig. G)

Esta herramienta lleva acoplado un collarín para seleccionar el modo de funcionamiento o para ajustar el par de apriete de los tornillos. Los tornillos grandes y el material duro de las piezas a trabajar requieren un ajuste de par de apriete mayor que los tornillos pequeños y el material blando de las piezas de trabajo. El collarín dispone de una amplia gama de ajustes que se acoplan a sus necesidades.

- ◆ Para taladrar madera, metal y plásticos, coloque el collarín (3) en la posición de taladrado alineando el símbolo  con la marca (15).
- ◆ Para atornillar, coloque el collarín en el valor deseado. Si todavía no sabe cuál es el valor apropiado, proceda del modo siguiente:
  - ◆ Ponga el collarín (3) en el valor de ajuste más bajo.
  - ◆ Apriete el primer tornillo.
  - ◆ Si el embrague se endenta antes de lograr el resultado deseado, aumente el valor del collarín y continúe apretando el tornillo. Repita el procedimiento hasta que alcance el valor correcto. Utilice dicho valor para los tornillos restantes.

## Encendido y apagado

### Conmutador de velocidad variable

- ◆ Para poner en marcha la herramienta, presione el conmutador de velocidad variable (1). La velocidad de la herramienta dependerá de hasta dónde presione el conmutador.
- ◆ Para desconectar la herramienta, suelte el conmutador de velocidad variable.

### Interruptor on(encendido)/off(apagado)de dos velocidades

- ◆ Para poner en marcha la herramienta, pulse el interruptor on/off (encendido/apagado) (1). Cuando se presiona ligeramente el interruptor, la herramienta trabajará a baja velocidad. Cuando se presiona con más fuerza el interruptor, la herramienta trabajará a alta velocidad.
- ◆ Para desconectar la herramienta, suelte el conmutador de velocidad variable.

## Consejos para un uso óptimo

### Taladrado

- ◆ Aplique siempre una suave presión en línea recta con la broca.
- ◆ Justo antes de que la punta de la broca atraviese la pieza de trabajo, disminuya la presión sobre la herramienta.
- ◆ Use un bloque de madera como soporte de piezas de trabajo que puedan astillarse.
- ◆ Use brocas de pala para taladrar agujeros de gran diámetro en madera.
- ◆ Use brocas de acero rápido para taladrar metal.
- ◆ Use un lubricante para taladrar metales distintos del hierro fundido y el latón.
- ◆ Haga una marca con un punzón de perforar en el centro del agujero que desea taladrar para mayor precisión.

### Atornillado

- ◆ Use siempre el tipo y el tamaño adecuado de punta.
- ◆ Si le resulta difícil apretar los tornillos, intente aplicar una pequeña cantidad de jabón o líquido jabonoso como lubricante.
- ◆ Sujete siempre la herramienta y la punta en línea recta con el tornillo.

## Mantenimiento

Su herramienta Black & Decker está diseñada para que funcione durante un largo período de tiempo con un mantenimiento mínimo. El funcionamiento satisfactorio continuado depende de un cuidado apropiado y una limpieza periódica de la herramienta.

Su cargador no requiere ningún mantenimiento aparte de una limpieza periódica.

**¡Atención!** Antes de efectuar cualquier mantenimiento en la herramienta, retire la batería de la herramienta. Desenchufe el cargador antes de limpiarlo.

- ◆ Limpie periódicamente las ranuras de ventilación de la herramienta con un cepillo suave o con un paño seco.
- ◆ Limpie periódicamente la carcasa del motor con un paño húmedo. No utilice ninguna sustancia limpiadora abrasiva o que contenga disolventes.
- ◆ Abra periódicamente el portabrocas y golpéelo suavemente para extraer el polvo del interior.

## Protección del medio ambiente

### Herramientas



Black & Decker proporciona facilidades para el reciclado de los productos Black & Decker que hayan llegado al final de su vida útil. Este servicio se proporciona de forma gratuita. Para poderlo utilizar, le rogamos entregue el producto en cualquier servicio técnico autorizado quien se hará cargo del mismo en nuestro nombre.

### Baterías



Las baterías Black & Decker pueden recargarse muchas veces. Al final de su vida útil, deseche las baterías con el debido cuidado con el entorno:

- ◆ Descargue totalmente la batería, luego retírela de la herramienta.
- ◆ Las baterías NiCd y las baterías NiMH son reciclables. Entregue las baterías al servicio postventa Black & Decker o dépositelas en un punto local de reciclado.

Pueden consultar la dirección de su servicio técnico más cercano poniéndose en contacto con la oficina local de Black & Decker en la dirección que se indica en este manual. Como alternativa, se puede consultar en Internet, en la dirección siguiente, la lista de servicios técnico autorizados e información completa de nuestros servicios de postventa y contactos: **www.2helpU.com**.

### Características técnicas

		KC96	AST2 KC12
Voltaje	V <sub>DC</sub>	9,6	12
Velocidad sin carga	min <sup>-1</sup>	\$	0 - 700
Par máximo	Nm	\$	9,3
Capacidad del portabrocas	mm	10	10
Máxima capacidad de taladrado de acero/madera	mm	\$/ \$	\$/ \$

		AST12	KC14
Voltaje	V <sub>DC</sub>	12	14,4
Velocidad sin carga	min <sup>-1</sup>	350/700	0 - 700
Par máximo	Nm	9,3	9,4
Capacidad del portabrocas	mm	10	10
Máxima capacidad de taladrado de acero/madera	mm	\$/ \$	\$/ \$

Batería		A9242	A9252	A9262
Voltaje	V <sub>DC</sub>	9,6	12	14,4
Capacidad	Ah	1,3	1,3	1,3

### Cargador

Tensión de la red	V <sub>AC</sub>	230
Tiempo aproximado de carga	h	3

### Declaración CE de conformidad

Black & Decker certifica que estas herramientas han sido construidas de acuerdo a las normas siguientes:

EN 50260, EN 55014, EN 60335, EN 61000

L<sub>pA</sub> (presión acústica): 70 dB(A), L<sub>WA</sub> (potencia acústica) 83 dB(A), valor cuadrático medio ponderado en frecuencia de la aceleración < 2.5 m/s<sup>2</sup>



Colin Wills  
 Director of Engineering  
 BDCI, 4/F, 2 Dai Wang Street  
 Tai Po Industrial Estate  
 Tai Po NT, Hong Kong

### Garantía

Black & Decker confía plenamente en la calidad de sus productos y ofrece una garantía extraordinaria. Esta declaración de garantía es una añadido, y en ningún caso un perjuicio para sus derechos estatutarios. La garantía es válida dentro de los territorios de los Estados Miembros de la Unión Europea y de los de la Zona Europea de Libre Comercio.

Si un producto Black & Decker resultará defectuoso debido a materiales o mano de obra defectuosos o a la falta de conformidad, Black & Decker garantiza, dentro de los 24 meses de la fecha de compra, la sustitución de las piezas defectuosas, la reparación de los productos sujetos a un desgaste y rotura razonables o la sustitución de tales productos para garantizar al cliente el mínimo de inconvenientes, a menos que:

- ◆ El producto haya sido utilizado con propósitos comerciales, profesionales o de alquiler;
- ◆ El producto haya sido sometido a un uso inadecuado o negligente;
- ◆ El producto haya sufrido daños causados por objetos o sustancias extrañas o accidentes;
- ◆ Se hayan realizado reparaciones por parte de personas que no sean los servicios de reparación autorizados o personal de servicios de Black & Decker;

Para reclamar en garantía, será necesario que presente la prueba de compra al vendedor o al servicio técnico de reparaciones autorizado. Pueden consultar la dirección de su servicio técnico más cercano poniéndose en contacto con la oficina local de Black & Decker en la dirección que se indica en este manual. Como alternativa, se puede consultar en Internet, en la dirección siguiente, la lista de servicios técnicos autorizados e información completa de nuestros servicios de postventa y contactos: [www.2helpU.com](http://www.2helpU.com).



## Utilização

O berbequim/aparafusador sem fio da Black & Decker foi projectado para aparafusar e perfurar madeira, metal e plástico. Esta ferramenta destina-se apenas para uso doméstico. O seu carregador Black & Decker foi desenhado para carregar as baterias Black & Decker do tipo fornecido com esta ferramenta.

## Instruções de segurança

- ◆ **Aviso!** Ao utilizar ferramentas alimentadas por bateria, é preciso seguir sempre as precauções básicas de segurança, incluindo as detalhadas a seguir, para diminuir os riscos de incêndio, corrosão das baterias, ferimentos pessoais e danos materiais.
- ◆ Leia atentamente este manual antes de utilizar a ferramenta.
- ◆ Guarde este manual para futura referência.

### Mantenha a área de trabalho arrumada

As mesas e áreas de trabalho desarrumadas podem provocar ferimentos.

### Cuide do ambiente da área de trabalho

Não exponha a ferramenta à chuva. Não utilize a ferramenta em situações onde haja humidade ou água. Mantenha a área de trabalho bem iluminada. Não utilize a ferramenta onde haja risco de fogo ou explosão, p.ex. em presença de líquidos ou gases inflamáveis.

### Mantenha as crianças afastadas

Não permita que crianças, visitantes ou animais cheguem perto da área de trabalho ou toquem na ferramenta.

### Vista-se de maneira apropriada

Não use vestuário largo nem jóias porque podem prender-se numa peça móvel. Quando se trabalha no exterior, é de aconselhar o uso de luvas de borracha e de calçado antiderrapante. Cubra o cabelo se tiver cabelo comprido.

### Protecção pessoal

Utilize óculos de protecção. Utilize óculos de protecção e uma máscara de rosto ou poeira sempre que as operações possam produzir poeira ou partículas que voem. Utilize protector de ouvidos sempre que o nível de ruído pareça ser incómodo.

### Verifique a sua posição

Mantenha sempre o equilíbrio.

### Esteja atento

Dê atenção ao que vai fazendo. Trabalhe com precaução. Não utilize ferramentas quando estiver cansado.

### Segure firmemente as peças a trabalhar

Utilize grampos ou um torno para segurar as peças de trabalho. É mais seguro e permite manter as duas mãos livres para trabalhar.

### Conecte o equipamento de extracção de pó

Caso sejam fornecidos os dispositivos para a conexão de extracção e colecta de pó, assegure-se de que os mesmos sejam correctamente conectados e utilizados.

## Tire as chaves de aperto

Verifique sempre se as chaves de aperto foram retiradas da ferramenta antes de a utilizar.

## Utilize a ferramenta apropriada

Neste manual indicam-se as aplicações da ferramenta. Não force pequenas ferramentas ou acessórios para fazer o trabalho dum ferramenta forte. A ferramenta trabalhará melhor e de uma maneira mais segura se for utilizada para o efeito indicado. Não force a ferramenta. **Aviso!** O uso de qualquer acessório ou da própria ferramenta, além do que é recomendado neste manual de instruções pode dar origem a risco de ferimento.

## Verifique se há peças danificadas

Antes do uso, verifique cuidadosamente se a ferramenta está danificada. Verifique o tamanho das peças móveis e se as mesmas estão alinhadas; verifique se há alguma peça partida, se as protecções e os interruptores estão danificados, bem como quaisquer outras condições que possam afectar o funcionamento da ferramenta. Assegure-se de que a ferramenta funcione correctamente e de que esteja a desempenhar as funções para as quais foi projectada. Não utilize a ferramenta se houver alguma peça defeituosa. Não utilize a ferramenta se o interruptor não estiver a funcionar para ligar ou desligar. Qualquer peça defeituosa deve ser reparada ou substituída por um técnico autorizado. Nunca tente efectuar qualquer reparação por sua conta.

## Remova a bateria

Remova a bateria quando a ferramenta não estiver em uso, antes de trocar qualquer peça da ferramenta, acessórios ou anexos e antes de enviar ao serviço técnico.

## Evite ligar sem intenção

Não transporte a ferramenta com um dedo sobre o interruptor liga/desliga. Certifique-se de que a ferramenta esteja desligada quando for inserir a bateria.

## Não force o cabo eléctrico

Nunca transporte a ferramenta pelo cabo e não puxe pelo cabo para tirar a ficha da tomada. Proteja o cabo contra o calor e evite o contacto com óleo e objectos cortantes.

## Guarde as ferramentas que não estiverem a ser utilizadas

Quando não estiverem em uso, as ferramentas e baterias devem ser armazenadas num local seco, fora do alcance de crianças.

## Cuide das suas ferramentas com atenção

Mantenha as ferramentas cortantes afiadas e limpas para um melhor e mais seguro desempenho. Siga as instruções para a manutenção e a troca de acessórios. Mantenha os punhos e os interruptores secos, limpos e isentos de óleo e gordura.

## Reparos

Esta ferramenta cumpre os requisitos de segurança pertinentes. Os reparos devem ser realizados somente por pessoas qualificadas e as peças de reposição devem ser originais.

A não observância disso poderá resultar em perigos consideráveis para os utilizadores.

## Instruções adicionais de segurança para baterias e carregadores

### Baterias

- ◆ Nunca tente abrir seja qual for a razão.
- ◆ Não exponha à água.
- ◆ Não armazene em locais onde a temperatura possa exceder 40 °C.
- ◆ Carregue somente à temperatura ambiente entre 4 °C e 40 °C.
- ◆ Carregue somente utilizando o carregador fornecido com a ferramenta (veja os dados técnicos).
- ◆ Antes de carregar, certifique-se de que a bateria esteja seca e limpa.
- ◆ Utilize somente o tipo correcto de bateria para a ferramenta (veja os dados técnicos).
- ◆ Quando se desfizer das baterias, siga as instruções dadas na secção "Ambiente".
- ◆ Sob condições extremas, pode ocorrer vazamento de bateria. Quando notar que há líquido na bateria, proceda da seguinte maneira:
  - Limpe o líquido cuidadosamente utilizando um pano. Evite o contacto com a pele.
  - Em caso de contacto com a pele ou com os olhos, siga as instruções abaixo.

**Aviso!** O líquido da bateria, uma 25-30% solução de hidróxido de potássio, pode ser nocivo. Em caso de contacto com a pele, lave imediatamente com água. Neutralize com um ácido suave, como sumo de limão ou vinagre. Em caso de contacto com os olhos, enxague abundantemente com água limpa durante 10 minutos. Consulte um médico.



Perigo de incêndio! Evite curto-circuito metálico nos contactos de uma bateria (p.e. chaves de porcas na mesma caixa que a bateria).



Não queime a bateria.



Não carregue baterias danificadas.

### Carregadores

- ◆ Utilize seu carregador Black & Decker somente para carregar as baterias do tipo fornecido com sua ferramenta. Outras baterias poderiam explodir causando danos pessoais e estragos.

- ◆ Nunca tente carregar baterias não recarregáveis.
- ◆ Substitua os cabos defeituosos imediatamente.
- ◆ Não exponha à água.
- ◆ Não abra o carregador.
- ◆ Não submeta o carregador a testes electrónicos.



Concebido somente para uso em interior.

### Segurança eléctrica



O seu carregador tem duplo isolamento, não sendo, por isso, necessária uma ligação à terra. Assegure-se de que a voltagem do seu carregador corresponde com a rede de energia. Nunca tente substituir o carregador por uma tomada de energia normal.

### Funções (fig. A)

Esta ferramenta inclui algumas ou todas as seguintes funções.

1. Interruptor de velocidade variável ou interruptor de ligar/deligar de duas velocidades
2. Selector de reversibilidade
3. Selector de modo / anel de ajuste de par de torção
4. Bucha
5. Bateria
6. Botão de liberação da bateria
7. Carregador
8. Base de carga
9. Conector para o carregador
10. Ficha do carregador

### Montagem

#### Colocação e remoção da bateria (fig. B)

- ◆ Para colocar a bateria (5), alinhe-a com o receptáculo na ferramenta. Deslize a bateria no receptáculo e empurre-a até que ela encaixe no lugar.
- ◆ Para remover a bateria, prima os dois botões de fixação (6) e puxe a bateria para fora do receptáculo simultaneamente.

#### Colocação e remoção de brocas ou pontas de aparafusar (fig. A & C)

**Advertência!** Remova a bateria.

A ferramenta está equipada com uma bucha sem chave para permitir a troca fácil das brocas.

- ◆ Trave a ferramenta colocando o selector de reversibilidade (2) na posição central (fig. A).
- ◆ Abra a bucha girando a parte frontal (11) com uma mão enquanto segura a parte traseira (12) com a outra (fig. C).
- ◆ Insira uma broca (13) na bucha.
- ◆ Aperte firmemente o mandril girando a parte frontal (11) com uma mão enquanto segura a parte traseira (12) com a outra.

### Remoção e encaixe da bucha (fig. D)

- ◆ Abra a bucha o mais possível.
- ◆ Remova o parafuso de fixação da bucha girando-o para a direita utilizando uma chave de fendas.
- ◆ Aperte a chave Allen (14) na bucha e dê-lhe uma pancada com um martelo como mostrado.
- ◆ Remova a chave Allen.
- ◆ Remova a bucha girando-a para a esquerda.
- ◆ Para voltar a colocar a bucha, aperte-a no fuso e fixe-a com o respectivo parafuso de fixação.

## Utilização

### Carregar a bateria

É necessário carregar a bateria antes da primeira utilização e sempre que falte potência durante tarefas que antes eram executadas facilmente. Uma bateria nova ou que não tenha sido utilizada por longo tempo atingirá a sua capacidade completa somente após 5 ciclos de carregamento/descarregamento. A bateria pode ficar quente enquanto estiver a carregar; isto é normal e não indica um problema.

**Advertência!** Não carregue às temperaturas ambientes inferiores a 4 °C ou superiores a 40°. aprox. 24 °C.

### Carregar com o carregador (fig. E)

- ◆ Para carregar a bateria (5), remova-a da ferramenta e insira-a no carregador (8). A bateria só encaixará no carregador de um modo. Não force. Esteja seguro de que a bateria está completamente encaixada no carregador.
- ◆ Ligue o carregador à corrente eléctrica.

Após o uso normal, 3 horas de carregamento serão suficientes para fornecer energia para a maioria das aplicações. Entretanto, um tempo de carregamento estendido até 6 horas poderá aumentar significativamente o tempo de uso, em dependência do estado da bateria e das condições de carregamento.

- ◆ Remova a bateria do carregador.

### Carregar sem o carregador (fig. E)

- ◆ Para carregar a bateria, certifique-se de que está colocada no berbequim.
- ◆ Insira a ficha do carregador (10) no conector (9).
- ◆ Ligue o carregador à corrente eléctrica.

Após o uso normal, 3 horas de carregamento serão suficientes para fornecer energia para a maioria das aplicações. Entretanto, um tempo de carregamento estendido até 6 horas poderá aumentar significativamente o tempo de uso, em dependência do estado da bateria e das condições de carregamento.

- ◆ Desligue a ferramenta do carregador.

**Advertência!** Não utilize a ferramenta enquanto ela estiver conectada ao carregador.


### Seleção da direcção de rotação (fig. A)

Para perfurar e apertar parafusos, utilize a rotação "avançar" (sentido horário). Para soltar parafusos ou remover uma broca presa, utilize a rotação "inverter" (sentido anti-horário).

- ◆ Para seleccionar a rotação para avançar, empurre o selector de reversibilidade (2) para a esquerda.
- ◆ Para seleccionar a rotação inversa, empurre o selector de reversibilidade para a direita.
- ◆ Para travar a ferramenta, coloque o selector de reversibilidade na posição central.

### Seleção do modo de operação ou par de aperto (fig. G)

Esta ferramenta está equipada com um anel de ajuste do par de aperto para apertar parafusos. Parafusos grandes e materiais duros requerem um par maior que parafusos pequenos e materiais mais moles. O anel dispõe de uma ampla variedade de ajustes com o fim de que a ferramenta se adapte a cada aplicação.

- ◆ Para perfurar madeira, metal e plástico, ajuste o anel (3) à posição de perfuração alinhando o símbolo  com a marca (15).
- ◆ Para aparafusar, ajuste o anel à posição desejada. Se não souber qual é a posição apropriada, proceda da seguinte maneira:
  - ◆ Ajuste o anel (3) ao menor par de aperto.
  - ◆ Aperte o primeiro parafuso.
  - ◆ Se a bucha breca antes que o resultado seja conseguido, aumente o ajuste e continue a apertar o parafuso. Repita esta operação até atingir o ajuste correcto. Utilize este ajuste para o resto dos parafusos.

## Ligar e desligar

### Interruptor de velocidade variável

- ◆ Para ligar a ferramenta, pressione o interruptor de variação de velocidade (1). A velocidade da ferramenta depende de quanto se pressiona o interruptor.
- ◆ Para desligar a ferramenta, solte o interruptor de variação de velocidade.

### Interruptor de ligar/desligar de duas velocidades

- ◆ Para ligar a ferramenta, pressione o interruptor de ligar/desligar (1). Se carregar ligeiramente no interruptor, a ferramenta funciona a baixa velocidade. Se carregar com mais força no interruptor, a ferramenta funciona a alta velocidade.
- ◆ Para desligar a ferramenta, solte o interruptor de variação de velocidade.

## Sugestões para uma melhor utilização

### Perfuração

- ◆ Aplique sempre uma leve pressão em linha recta com a broca.
- ◆ Um pouco antes que a broca atravesse a peça de trabalho, diminua a pressão sobre a ferramenta.
- ◆ Utilize um bloco de madeira como suporte para peças de trabalho que possam lascar.
- ◆ Utilize brocas talhadeiras quando perfurar orifícios de grande diâmetro em madeira.
- ◆ Utilize brocas de alta dureza quando perfurar em metal.
- ◆ Utilize um lubrificante quando perfurar em metais que não sejam ferro fundido e latão.
- ◆ Faça um entalho no centro do orifício utilizando um furador de centro para melhorar a precisão.

### Aparafusamento

- ◆ Utilize sempre o tipo e tamanho correcto de ponta de aparafusar.
- ◆ Se os parafusos estão difíceis de apertar, tente aplicar uma pequena quantidade de detergente ou sabão como lubrificante.
- ◆ Segure sempre a ferramenta e a ponta de aparafusar em linha recta com o parafuso.

## Manutenção

Esta ferramenta Black & Decker foi desenvolvida para funcionar por um longo período, com um mínimo de manutenção. O funcionamento contínuo e satisfatório depende da limpeza regular e cuidado adequado da ferramenta. O seu carregador não requer qualquer manutenção além de sua limpeza regular.

**Advertência!** Antes de executar qualquer manutenção na ferramenta, remova a bateria da ferramenta. Desligue o carregador de bateria antes de limpar o aparelho.

- ◆ Limpe regularmente as fendas de ventilação da ferramenta utilizando uma escova suave ou um pano seco.
- ◆ Limpe regularmente o compartimento do motor utilizando um pano húmido. Não utilize nenhum limpador abrasivo ou de base solvente.
- ◆ Abra regularmente o mandril e bata nele para remover qualquer poeira do interior.

## Protecção do meio ambiente

### Ferramentas



A Black & Decker oferece facilidades para a reciclagem de produtos Black & Decker e baterias recarregáveis uma vez que os mesmos tenham alcançado o final de suas vidas úteis. Este serviço é fornecido sem encargos. Para utilizá-lo, devolva seu produto a qualquer agente de reparo autorizado, que se encarregará de recolher o equipamento em nosso nome.

### Baterias



As baterias Black & Decker podem ser recarregadas muitas vezes. No final de sua vida técnica as baterias Black & Decker podem ser recarregadas muitas vezes. No final de sua vida útil, deite fora a bateria sempre tendo em mente o cuidado com o meio ambiente:

- ◆ Deixe que a bateria se descarregue completamente e depois remova-a da ferramenta.
- ◆ As baterias NiCd e NiMH são recicláveis. Leve-as ao seu agente de reparação autorizado ou a uma estação local de reciclagem.

Para verificar a localização do agente de reparo mais próximo de si contacte o escritório local da Black & Decker no endereço indicado neste manual. Se preferir, consulte a lista de agentes autorizados da Black & Decker e os dados completos de nossos serviços de atendimento pós-venda na Internet no endereço: [www.2helpU.com](http://www.2helpU.com).

### Dados técnicos

		KC96	AST2 KC12
Voltagem	$V_{DC}$	9,6	12
Velocidade sem carga	$\text{min}^{-1}$	\$	0 - 700
Par máx.	Nm	\$	9,3
Capacidade da bucha	mm	10	10
Capacidade máx. de perfuração em aço/madeira	mm	\$/ \$	\$/ \$

		AST12	KC14
Voltagem	$V_{DC}$	12	14,4
Velocidade sem carga	$\text{min}^{-1}$	350/700	0 - 700
Par máx.	Nm	9,3	9,4
Capacidade da bucha	mm	10	10
Capacidade máx. de perfuração em aço/madeira	mm	\$/ \$	\$/ \$

Bateria	A9242	A9252	A9262
Voltagem	$V_{DC}$ 9,6	12	14,4
Capacidade	Ah 1,3	1,3	1,3

Carregador		
Voltagem	$V_{AC}$	230
Tempo aproximado de carregamento	h	3

### Declaração de conformidade

A Black & Decker declara que estas ferramentas foram concebidas em conformidade com:

EN 50260, EN 55014, EN 60335, EN 61000

$L_{pA}$  (pressão sonora): 70 dB(A),  $L_{WA}$  (potência sonora) 83 dB(A),  
vibração < 2.5 m/s<sup>2</sup>



Colin Wills  
Engenheiro Responsável  
BDCI, 4/F, 2 Dai Wang Street  
Tai Po Industrial Estate  
Tai Po NT, Hong Kong

Para activar a garantia, será necessário enviar a prova de compra ao revendedor ou agente de reparação autorizado. Para verificar a localização do agente de reparação mais próximo de si contacte o escritório local da Black & Decker no endereço indicado neste manual. Se preferir, consulte a lista de agentes autorizados da Black & Decker e os dados completos de nossos serviços de atendimento pós-venda na Internet no endereço: [www.2helpU.com](http://www.2helpU.com).

### Garantia

A Black & Decker confia na qualidade de seus produtos e oferece um programa de garantia excelente. Esta declaração de garantia soma-se aos seus direitos legais e não os prejudica em nenhum aspecto. A garantia será válida nos territórios dos Estados Membros da União Europeia e na Área de Livre Comércio da Europa.

Caso algum produto da Black & Decker apresente avarias devido a defeitos de material, mão-de-obra ou ausência de conformidade no prazo de 24 meses a partir da data de compra, a Black & Decker garantirá a substituição das peças defeituosas, a reparação dos produtos que foram submetidos a uso adequado e remoção ou substituição dos mesmos para assegurar o mínimo de inconvenientes ao cliente a menos que:

- ◆ O produto tenha sido utilizado para fins comerciais, profissionais ou aluguer;
- ◆ O produto tenha sido submetido a uso incorrecto ou descuido;
- ◆ O produto tenha sofrido danos causados por objectos estranhos, substâncias ou acidentes;
- ◆ Tenha um histórico de reparações efectuadas por terceiros que não sejam os agentes autorizados ou profissionais de manutenção da Black & Decker.

## Användningsområde

Din bormaskin/skruvdragare från Black & Decker kan användas till skruvdragning och bormning i trä, metall och plast.

Verktyget är endast avsett som konsumentverktyg.

Din Black & Decker batteriladdare är avsedd för laddning av Black & Decker-batterier av den typ som medföljer verktyget.

## Säkerhetsinstruktioner

- ◆ **Varning!** När man använder uppladdningsbara verktyg är det viktigt att man bl.a. följer nedanstående säkerhetsanvisningar för att minska risken för brand, batteriläckage, personskador och materialskador.
- ◆ Läs bruksanvisningen noggrant innan du använder verktyget.
- ◆ Spara bruksanvisningen lättillgängligt.

### Håll arbetsområdet i ordning

Nedskräpade ytor och arbetsbänkar inbjuder till skador.

### Tänk på arbetsmiljöns inverkan

Utsätt inte verktyget för regn. Använd inte verktyget på fuktiga eller våta platser. Ha bra belysning över arbetsytan.

Använd inte verktyget där det finns risk för eldsvåda eller explosion, t.ex. i närheten av lättantändliga vätskor eller gaser.

### Utom räckhåll för barn

Tillåt inte barn, besökande eller djur att komma i närheten av arbetsplatsen eller att röra vid verktyget.

### Klä dig rätt

Bär inte löst hängande kläder eller smycken. De kan fastna i rörliga delar. Gummihandskar och halkfria skor rekommenderas vid utomhusarbeten. Använd hårnät om du har långt hår.

### Skyddskläder

Använd alltid skyddsglasögon. Använd ansiktsmask om arbetet förorsakar damm eller partiklar i luften. Använd hörselskydd om du besväras av ljudnivån.

### Sträck dig inte för mycket

Se till att du alltid har säkert fotfäste och balans.

### Var uppmärksam

Titta på det du gör. Använd sunt förnuft. Använd inte verktyget när du är trött.

### Sätt fast arbetsstycket

Använd skruvtvingar eller ett skruvstycke för att hålla fast arbetsstycket. Det är säkrare än att använda handen och du får bägge händerna fria för arbetet.

### Anslut dammsugningsutrustning

Om möjligheter finns för anslutning av utrustning för dammsugning och dammuppsamling ska sådan utrustning anslutas och användas på korrekt sätt. OBS! Använd endast grovsugare.

### Tag bort nycklar

Kontrollera att nycklar och justerverktyg har tagits bort från verktyget innan det startas.

### Använd rätt verktyg

Använd inte verktyg för ändamål de inte är avsedda för.

Tvinga inte verktyget att göra arbeten som är avsedda för kraftigare verktyg. Överbelasta inte verktyget.

**Varning!** Använd endast tillbehör och tillsatser som är rekommenderade i bruksanvisningen och katalogerna. Användning av annat verktyg eller tillbehör kan innebära risk för personskada.

### Kontrollera verktyget för skador

Kontrollera verktyget för skador innan du använder det. Kontrollera att de rörliga delarna inte har fastnat eller är felmonterade. Kontrollera även att övriga delar och skydd inte är skadade och att det inte föreligger några andra fel som kan påverka verktygets funktion. Kontrollera att verktyget fungerar riktigt och kan utföra de avsedda funktionerna. Använd inte verktyget om fel uppstått på någon av dess delar. Använd inte verktyget om det inte kan kopplas till och från med strömbrytaren. Om fel uppstår skall delarna repareras eller bytas ut av en auktoriserad Black & Decker serviceverkstad. Försök aldrig reparera verktyget själv.

### Tag ur batteriet

Tag ur batteriet när verktyget inte används samt före byte av någon del av verktyget, tillbehör eller tillsats och innan serviceåtgärder utförs.

### Undvik oavsiktlig start

Bär aldrig verktyget med ett finger på strömbrytaren. Se till att verktyget är avstängt när du sätter i batteriet i verktyget.

### Misshandla inte sladden

Bär aldrig laddaren i sladden och använd inte sladden för att dra ut kontakten. Utsätt inte sladden för värmekällor, olja eller skarpa kanter.

### Förvara verktyg säkert

När verktyget inte används skall det samt batterierna och laddare förvaras på en torr plats utom räckhåll för barn.

### Sköt verktyget med omsorg

Håll verktyget rent och använd skarpa tillbehör för bättre prestanda och säkrare drift. Följ instruktionerna beträffande skötsel och byte av tillbehör. Håll handtagen och strömbrytare torra, rena och fria från olja och fett.

### Reparationer

Detta verktyg uppfyller gällande säkerhetskrav. Reparationer ska utföras av en auktoriserad Black & Decker serviceverkstad som använder originaldelar, annars kan användaren utsättas för stor fara.

### Extra säkerhetsföreskrifter för batterier och laddare

#### Batterier

- ◆ Försök aldrig öppna batteriet.
- ◆ Utsätt inte batteriet för vatten.
- ◆ Förvara inte batteriet i utrymmen där temperaturen kan överstiga 40 °C.
- ◆ Ladda endast inom temperaturområdet 4 °C till 40 °C.
- ◆ Ladda endast med laddaren som medföljer (se tekniska data).

- ◆ Kontrollera före laddningen att batteriet är torrt och rent.
- ◆ Använd endast batterier avsedda för verktyget (se tekniska data).
- ◆ När batterierna kasseras skall instruktionerna i kapitlet "Miljö" följas.
- ◆ Under extrema förhållanden kan batteriläckage uppstå. Om du upptäcker vätska från batteriet skall följande iakttas:
  - Torka försiktigt bort vätskan med en trasa. Undvik kontakt med huden.
  - Vid kontakt med huden eller ögonen skall instruktionerna nedan följas.

2. Reglage höger- vänstergång
3. Lågesväljare/Krage för justering av vridmoment
4. Chuck
5. Batteri
6. Frikopplingsknapp - batteri
7. Laddare
8. Laddare
9. Anslutning för laddaren
10. Laddarkontakt

## Montering

### Montering och borttagning av batteri (fig. B)

- ◆ Vid montering riktas batteriet (5) in mot hållaren på verktyget. Skjut sedan in batteriet i hållaren tills det snäpper fast på plats.
- ◆ Tag bort batteriet genom att hålla de två frikopplingsknapparna (6) intryckta samtidigt som du drar ut batteriet.

### Montering och borttagning av borrh och bits (fig. A & C)

**Varning!** Ta först ut batteriet ur verktyget.

För att det ska vara lätt att byta borrh och bits är verktyget försett med en snabbchuck.

- ◆ Lås verktyget genom att ställa reglaget (2) i mittläget (fig. A).
- ◆ Öppna chucken genom att vrida den främre delen (11) med en hand medan du håller den bakre delen (12) på plats med den andra handen (fig. C).
- ◆ Sätt i bits-skaflet (13) i chucken.
- ◆ Drag åt chucken stadigt genom att vrida den främre delen (11) med en hand medan du håller fast den bakre delen (12) med den andra handen.

### Ta bort och återmontera chucken (fig. D)

- ◆ Öppna chucken så mycket det går.
- ◆ Ta bort chuckens fästskruv genom att vrida den medsols med en skruvmejsel.
- ◆ Sätt i en insexnyckel (14) i chucken. Slå med ett lätt slag med en hammare enligt bild.
- ◆ Ta bort insexnyckeln.
- ◆ Ta bort chucken genom att vrida den motsols.
- ◆ Sätt tillbaka chucken genom att skruva den på spindeln och lås fast den med fästskruven.

## Användning

### Ladda batteriet

Batteriet måste laddas innan det används första gången och alltid när verktyget inte längre fungerar effektivt. Ett nytt batteri, eller ett batteri som bara har använts någon kortare tid, uppnår full kapacitet först efter ca. 5 upp- och urladdningar. Batteriet kan bli varmt under laddningen; detta är en normal företeelse och innebär inte något fel.



Brandfara! Undvik att kontakta på ett fränkopplat batteri kortsluts av metall (t ex vid förvaring av batteriet i en verktygslåda).



Batteriet får ej eldas upp.



Använd aldrig ett skadat batteri.

### Laddare

- ◆ Använd Black & Decker-laddaren endast tillsammans med det batteri som medföljer verktyget. Andra typer av batterier kan explodera och förorsaka person- och materialskador.
- ◆ Försök aldrig ladda icke uppladdningsbara batterier.
- ◆ Byt genast ut skadade sladdar.
- ◆ Utsätt inte laddaren för vatten.
- ◆ Öppna inte laddaren.
- ◆ Gör ingen åverkan på laddaren.



Endast avsedd för inomhusbruk.

### Elektrisk säkerhet



Laddaren är dubbelisolerad; jordledare är således överflödigt. Kontrollera att laddarens spänning överensstämmer med nätspänningen. Försök aldrig att ersätta laddningsenheten med en vanlig nätkontakt.

## Funktioner (fig. A)

Verktyget har en del eller samtliga av nedanstående funktioner.

1. Strömbrytare för steglös hastighet eller strömbrytare för två varvtal

**Varning!** Ladda inte batteriet om lufttemperaturen är lägre än 4 °C eller högre än 40 °C. Rekommenderad temperatur vid laddning: cirka 24 °C.

#### Laddare med laddningsstation (fig. E)

- ◆ När batteriet (6) skall laddas tas det ur verktyget och placeras i laddaren (8). Det finns bara ett sätt att sätta batteriet i laddaren. Bruka inte våld. Kontrollera att batteriet sitter ordentligt i laddaren.
- ◆ Anslut laddaren till vägguttaget.

Efter normal användning, brukar en laddningstid på 3 minuter vara tillräcklig för att ge de flesta apparater tillräckligt med ström. Ändå kan en längre laddningstid, upp till 6 minuter, öka användningstiden avsevärt, beroende på batteriet och laddningsförhållandena.

- ◆ Tag ut batteriet ur laddaren.

#### Laddare med laddningsstation (fig. E)

- ◆ Se till att batteriet sitter monterat på borren när du skall ladda det.
- ◆ Sätt laddarkontakten (10) i uttaget (9).
- ◆ Anslut laddaren till vägguttaget.

Efter normal användning, brukar en laddningstid på 3 minuter vara tillräcklig för att ge de flesta apparater tillräckligt med ström. Ändå kan en längre laddningstid, upp till 6 minuter, öka användningstiden avsevärt, beroende på batteriet och laddningsförhållandena.

- ◆ Koppla bort verktyget från laddaren.

**Varning!** Använd inte verktyget när det är anslutet till laddaren.


#### Höger-/vänstergång (fig. A)

När du borrar och drar i skruvar ska verktyget rotera framåt (medurs). För att lossa skruvar eller ta loss ett borr som har fastnat används rotation bakåt (motsols).

- ◆ Välj rotation framåt genom att föra reglaget (2) till vänster.
- ◆ Välj rotation bakåt genom att föra reglaget (2) till höger.
- ◆ Lås verktyget genom att ställa reglaget i mittläget.

#### Val av driftläge eller vridmoment (fig. G1)

Verktyget är försett med en krage för val av driftläge, och för att ställa in vridmomentet för iskrivning av skruvar. Stora skruvar och hårda arbetsmaterial kräver högre vridmoment än små skruvar och mjukare arbetsmaterial. Kragen kan ställas i många olika lägen, för att passa dina behov.

- ◆ För borrar i trä, metall eller plast ska kragen (3) vridas till borrarläget, d.v.s. med symbolen  vid märket (15).
- ◆ För skruvdragning ställer du in kragen i önskat läge. Om du inte är säker på rätt inställning, ska du följa nedanstående instruktioner:

- ◆ Ställ kragen (3) i lägsta vridmoment.
- ◆ Dra åt den första skruven.
- ◆ Om kopplingen frigörs innan rätt resultat uppnås skall vridmomentet ökas. Fortsätt därefter att skruva. Repetera tills rätt inställning erhålles. Använd denna inställning för de återstående skruvarna.

#### Starta och stoppa verktyget

##### Strömbrytare för variabel hastighet

- ◆ Starta verktyget genom att trycka på strömbrytaren (1). Verktygets hastighet beror på hur långt strömbrytaren trycks in.
- ◆ Stäng av verktyget genom att släppa hastighetskontrollen.

##### Strömbrytare för två hastigheter

- ◆ Tryck på strömbrytaren (1) för att starta verktyget. När man trycker lätt på strömbrytaren, går verktyget på låg hastighet. När man trycker in strömbrytaren längre, går verktyget på hög hastighet.
- ◆ Stäng av verktyget genom att släppa hastighetskontrollen.

#### Råd för bästa resultat

##### Borning

- ◆ Borret skall tryckas lätt och rakt ner mot arbetsstycket.
- ◆ Alldeles innan borret kommer ut på andra sidan av arbetsstycket skall trycket på verktyget lättas.
- ◆ Använd en träbit under arbetsstycket för att undvika splittring.
- ◆ Använd ett flatborr/spiralborr när du skall borra hål med stor diameter i trä.
- ◆ Använd HSS-borr vid borrar i metall.
- ◆ Använd smörjmedel vid borrar i metaller, förutom gjutjärn och mässing.
- ◆ För bättre precision bör du slå ett kärnslag i mitten av hålet som skall borraras.

##### Skruvdragning

- ◆ Använd alltid rätt typ och storlek på bitset.
- ◆ Om det är svårt att dra åt skruven kan lite flytande tvättmedel eller tvål anbringas som smörjmedel.
- ◆ Håll alltid verktyget och bitset i rak linje med skruven.

#### Skötsel

Ditt Black & Decker verktyg har tillverkats för att fungera under lång tid med ett minimum av underhåll. Med rätt underhåll och regelbunden rengöring behåller verktyget sina prestanda. Laddaren behöver inget underhåll förutom regelbunden rengöring.

**Varning!** Tag bort batteriet innan underhåll utförs på verktyget. Tag ur laddarkontakten före rengöring.



- ◆ Rengör regelbundet verktygets luftintag med en mjuk borste eller torr trasa.
- ◆ Rengör kåpan regelbundet med en fuktig trasa. Använd aldrig rengöringsmedel med lösnings- eller slipmedel i.
- ◆ Öppna chucken regelbundet och knacka på den för att avlägsna eventuellt damm som hamnat inuti den.

## Miljö

### Verktyg



När ditt verktyg är utslitet, skydda naturen genom att inte slänga det tillsammans med vanligt avfall. Lämna det till de uppsamlingsställen som finns i din kommun eller där du köpt verktyget.

### Batterier



Black & Decker batterierna kan laddas många gånger. Skydda miljön genom att lämna kasserade batterier till därför avsedd uppsamlingsplats.

- ◆ Ladda ur batteriet helt och tag sedan bort det från verktyget.
- ◆ NiCd och NiMH batterier är återvinningsbara. Lämna dem till inköpsstället eller den lokala återvinningsstationen. Återlämnade batterier återvinns eller sänds till särskilda behandlingsanläggningar.

### Tekniska data

		KC96	AST2 KC12
Spänning	$V_{DC}$	9,6	12
Obelastad hastighet	$min^{-1}$	\$	0 - 700
Maximalt vridmoment	Nm	\$	9,3
Chuck-kapacitet	mm	10	10
Maximal borrkapacitet för stål/trä	mm	\$\$	\$\$

		AST12	KC14
Spänning	$V_{DC}$	12	14,4
Obelastad hastighet	$min^{-1}$	350/700	0 - 700
Maximalt vridmoment	Nm	9,3	9,4
Chuck-kapacitet	mm	10	10
Maximal borrkapacitet för stål/trä	mm	\$\$	\$\$

Batteri		A9242	A9252	A9262
Spänning	$V_{DC}$	9,6	12	14,4
Kapacitet	Ah	1,3	1,3	1,3

### Laddare

Spänning	$V_{AC}$	230
Laddningstid cirka	h	3

## CE-försäkran om överensstämmelse

Black & Decker förklarar att dessa verktyg är konstruerade i överensstämmelse med:

EN 50260, EN 55014, EN 60335, EN 61000

$L_{pA}$  (ljudtryck): 70 dB(A),  $L_{WA}$  (ljudeffekt) 83 dB(A), vägd geometrisk medelvärde av vibrationsfrekvensen < 2.5 m/s<sup>2</sup>

Colin Wills

Director of Engineering  
BDCI, 4/F, 2 Dai Wang Street  
Tai Po Industrial Estate  
Tai Po NT, Hong Kong

## Reservdelar / reparationer

Reservdelar finns att köpa hos auktoriserade Black & Decker verkstäder, som även ger kostnadsförslag och reparerar våra produkter.

Förteckning över våra auktoriserade verkstäder finns på Internet, vår hemsida [www.blackdecker.se](http://www.blackdecker.se) samt [www.2helpU.com](http://www.2helpU.com).

## Garanti

Black & Decker garanterar att produkten är fri från material- och/eller fabriktionsfel vid leverans till kund. Garantin är i tillägg till konsumentens lagliga rättigheter och påverkar inte dessa. Garantin gäller inom medlemsstaterna i Europeiska Unionen och i det Europeiska Frihandelsområdet.

Om en Black & Decker produkt går sönder på grund av material- och/eller fabriktionsfel eller brister i överensstämmelse med specifikationen, inom 24 månader från köpet, åtar sig Black & Decker att reparera eller byta ut produkten med minsta besvär för kunden.

Garantin gäller inte för fel som beror på:

- ◆ normalt slitage
- ◆ felaktig användning eller skötsel
- ◆ att produkten skadats av främmande föremål, ämnen eller genom olyckshändelse

Garantin gäller inte om reparation har utförts av någon annan än en auktoriserad Black & Decker verkstad.

För att utnyttja garantin skall produkten och inköpskvittot lämnas till återförsäljaren eller till en auktoriserad verkstad senast 2 månader efter det att felet har upptäckts. För information om närmaste auktoriserad verkstad; kontakta det lokala Black & Decker kontoret på den adress som är angiven i bruksanvisningen. En lista på alla auktoriserade verkstäder samt servicevillkor finns även tillgängligt på Internet, adress: [www.2helpU.com](http://www.2helpU.com).

## Bruksområder

Din Black & Decker drill/skrutrekker er utformet for skruing og boring i tre, metall og plast.

Verktøyet er tiltenkt kun som konsumentverktøy.

Din Black & Decker lader er konstruert for å lade Black & Decker batterier av den typen som leveres med verktøyet.

## Sikkerhetsinstruksjoner

- ◆ **Advarsel!** Når du bruker oppladbare verktøy, må du følge en del grunnleggende sikkerhetsregler, se nedenfor, for å redusere faren for brann, batterilekkasjer, personskade og materialskade.
- ◆ Ta deg tid til å lese nøye gjennom bruksanvisningen før du begynner å bruke verktøyet.
- ◆ Oppbevar bruksanvisningen på et lett tilgjengelig sted.

### Hold arbeidsområdet rent og ryddig

En uryddig arbeidsplass innbyr til skader.

### Tenk på arbeidsmiljøets innvirkning

Utsett ikke verktøyet for regn. Bruk ikke verktøyet under våte eller fuktige forhold. Pass på at arbeidsområdet er godt opplyst. Bruk ikke verktøyet hvor det er fare for forårsaking av brann eller en eksplosjon, f. eks. i nærheten av brannfarlige væsker eller gasser.

### Hold barn unna

Barn, besøkende eller dyr må ikke komme i nærheten av arbeidsområdet eller i kontakt med verktøyet.

### Kle deg riktig

Ha ikke på deg løstsittende klær eller smykker. De kan sette seg fast i de bevegelige delene. Vi anbefaler gummihansker og sko som ikke glir når du arbeider utendørs. Bruk hårnett hvis du har langt hår.

### Personlig vern

Bruk vernebriller. Bruk en ansikts- eller støvmaske når operasjonene kan forårsake støv eller flyvende partikler. Bruk ørevern når støynivået virker ukomfortabelt.

### Strekk deg ikke for langt

Pass på at du alltid har sikkert fotfeste og balanse.

### Vær oppmerksom

Se på det du gjør. Bruk sunn fornuft. Bruk ikke maskinen når du er trett.

### Sikre arbeidsstykket

Bruk tvinger eller skrustikker til å feste arbeidsstykket med. Dette er sikrere enn å bruke hånden, og du får begge hendene fri til å styre verktøyet.

### Kople til støvutsugsutstyr

Hvis det følger med utstyr for tilkopling av støvutsug og støvoppsamling, må du sørge for at dette koples til og brukes riktig. Bruk kun industristøvsuger.

### Fjern nøkler

Gjør det til vane å sjekke om nøkler og justeringsverktøy er fjernet før verktøyet startes.

## Bruk riktig verktøy

Bruk ikke verktøyet til formål det ikke er ment for. Tving ikke en maskin til å gjøre arbeid som krever kraftigere verktøy.

Overbelast ikke verktøyet.

**Advarsel!** Bruk bare tilbehør og utstyr som anbefales i bruksanvisningen og i katalogene. Bruk av annet verktøy eller tilbehør kan medføre en mulig risiko for personskade.

### Sjekk verktøyet for skader

Kontroller verktøyet nøye for skade før bruk. Kontroller at de bevegelige delene ikke har satt seg fast eller er feilmontert. Kontroller også at de øvrige delene og beskyttelsene ikke er skadet og at det ikke foreligger noen andre feil som kan påvirke verktøyets funksjon. Kontroller at verktøyet fungerer som det skal og utfører beregnet funksjon. Bruk aldri verktøyet hvis noen av delene er skadet. Ikke bruk verktøyet hvis det ikke er mulig å slå det på og av med strømbryteren. Hvis feil oppstår skal delene repareres eller byttes ut av et autorisert Black & Decker serviceverksted. Prøv aldri å reparere selv.

### Fjern batteriet

Ta ut batteriet når verktøyet ikke er i bruk, før du bytter noen av delene på verktøyet, tilbehør eller tilslutning og før vedlikehold.

### Unngå utilsiktet start

Bær aldri verktøyet med fingeren på strømbryteren. Pass på at verktøyet er slått av når du setter inn batteriet.

### Ikke mislighold ledningen

Bær aldri laderen i ledningen og bruk ikke ledningen for å dra ut kontakten. Utsett ikke ledningen for varme, olje, eller skarpe kanter.

### Oppbevar verktøy på et trygt sted

Når det ikke er i bruk, må verktøy, batteri og lader oppbevares på et tørt sted, og slik at det ikke er tilgjengelig for barn.

### Vær nøye med vedlikeholdet

Hold verktøyet rent og bruk skarpe tilbehør for bedre prestasjon og sikrere drift. Følg forskriftene når det gjelder vedlikehold og skifte av tilbehør. Hold håndtakene og brytere tørre, rene og fri for olje og fett.

### Reparasjoner

Dette verktøyet overholder relevante sikkerhetskrav. Reparasjoner må bare utføres av autoriserte Black & Decker serviceverksteder som benytter originale reservedeler, ellers kan det være farlig å bruke utstyret.

## Ekstra sikkerhetsforskrifter for batterier og ladere

### Batterier

- ◆ Må aldri åpnes.
- ◆ Må ikke komme i kontakt med vann.
- ◆ Må ikke oppbevares på steder hvor temperaturen kan overstige 40 °C.
- ◆ Må bare lades i lufttemperaturer mellom 4 °C og 40 °C.
- ◆ Lad bare med laderen som følger med verktøyet (se tekniske data).

- ◆ Før opplading, pass på at batteriet er tørt og rent.
- ◆ Bruk bare den korrekte type batteri for verktøyet (se tekniske data).
- ◆ Når du kasserer batteriet, følger du instruksene som er gitt i seksjonen "Miljø".
- ◆ Under ekstreme forhold, kan batterilekkasje forekomme. Hvis du merker væske på batteriet, må du gjøre som følger:
  - Tørk forsiktig væsken med et tøystykke. Unngå kontakt med huden.
  - I tilfeller hvor det oppstår kontakt med hud eller øyne, skal instruksjonene nedenfor følges.

**Advarsel!** Batterivæsken, en 25-30 % løsning av kaliumhydroksid, kan være skadelig. Hvis det oppstår berøring med hud, må du straks skylle med vann. Nøytraliser med en svak syre, f.eks. sitronsaft eller eddik. Hvis du får væsken i øynene, må du rense dem med rikelig rent vann i minst 10 minutter. Kontakt lege.



Brannfare! Unngå at metall kortslutter kontaktene på et batteri som er tatt ut (f.eks. ved oppbevaring av batteriet i en verktøykasse).



Ikke brenn batteriet.



Bruk aldri et skadet batteri.

#### Ladere

- ◆ Bruk din Black & Decker lader kun sammen med det batteriet som blir levert med verktøyet. Andre typer av batterier kan eksplodere og forårsake person- og materialskader.
- ◆ Forsøk aldri å lade ikke oppladbare batterier.
- ◆ Bytt straks ut defekte ledninger.
- ◆ Må ikke komme i kontakt med vann.
- ◆ Laderen må ikke åpnes.
- ◆ Ikke skad eller mislighold laderen.



Kun tiltenkt for bruk i hjemmet.

#### Elektrisk sikkerhet



Laderen er dobbeltisolert. Jordet ledning er derfor ikke nødvendig. Kontroller at spenningen til laderen tilsvarer nettspenningen. Du må aldri forsøke å bytte laderen ut med et vanlig støpsel.

#### Funksjoner (fig. A)

Dette verktøyet har noen av eller alle følgende funksjoner:

1. Bryter for justerbar hastighet eller på/av-bryter med to hastigheter.

2. Bryter for forover/bakover
3. Justering for funksjonsvalg/dreiemoment
4. Chuck
5. Batteri
6. Utløserknapp for batteriet
7. Lader
8. Lader
9. Laderkontakt
10. Laderstøpsel

#### Montering

##### Montere og fjerne batteriet (fig. B)

- ◆ Når du skal sette i batteriet (5), holder du det på høyde med holderen på verktøyet. Skyv batteriet inn i holderen, og trykk til det sitter på plass.
- ◆ Skal du fjerne batteriet, trykker du på de to utløserknappene (6) samtidig, mens du trekker batteriet ut av holderen.

##### Montere og fjerne bor og biter (fig. A & C)

**Advarsel!** Fjern først batteriet fra verktøyet.

Dette verktøyet er utstyrt med en nøkkelfri chuck, slik at det blir enklere å bytte bor og biter.

- ◆ Lås verktøyet ved å stille bryteren for forover/bakover (2) på midtstillingen (fig. A).
- ◆ Du åpner chucken ved å dreie den forreste delen (11) med den ene hånden, mens du holder i den bakerste delen (12) med den andre hånden (fig. C).
- ◆ Sett skaftet på biten (13) inn i chucken.
- ◆ Skru chucken godt fast ved å dreie den forreste delen (11) med den ene hånden mens du holder den bakerste delen (12) med den andre.

##### Sette på og ta av chucken (fig. D)

- ◆ Åpne chucken så mye som mulig.
- ◆ Fjern skruen som holder fast chucken, ved å dreie den med klokken ved hjelp av en skrutrekker.
- ◆ Sett en sekskantnøkkel (14) inn i chucken, og slå med et lett slag med en hammer, som vist.
- ◆ Fjern sekskantnøkkelen.
- ◆ Fjern chucken ved å dreie den mot klokken.
- ◆ Du setter på chucken igjen ved å skru den inn på spindelen og feste den med festeskruen.

#### Bruk

##### Lade batteriet

Batteriet må lades før første gangs bruk, og alltid når verktøyet ikke lenger fungerer effektivt. Et nytt batteri, eller et batteri som ikke har vært brukt på lang tid, oppnår full ytelse først etter at det har vært ladet og utladet ca. 5 ganger.

Batteriet kan bli varmt mens det lades. Dette er normalt og betyr ikke at noe er feil.

**Advarsel!** Lad ikke batteriet hvis lufttemperaturen er under 4 °C eller over 40 °C. Anbefalt ladetemperatur: ca. 24 °C.

### Lade med holderen (fig. E)

- ◆ Ta batteriet (5) ut av verktøyet og sett det inn i holderen (8) når det skal lades. Det er bare en måte å plassere batteriet inn i laderen. Ikke bruk makt. Pass på at batteriet er satt riktig inn i holderen.
- ◆ Sett laderen i vegguttaket.

Etter normal bruk vil en oppladingstid på 3 timer gi nok strøm til de fleste bruksområder. Lengre ladetid, på opptil 6 timer, kan øke brukstiden betydelig, avhengig av batteriet og ladingen.

- ◆ Ta batteriet ut av holderen.

### Lade uten holderen (fig. F)

- ◆ Batteriet må være tatt av drillen før det lades.
- ◆ Sett ladestøpslet (10) i kontakten (9).
- ◆ Sett laderen i vegguttaket.

Etter normal bruk vil en oppladingstid på 3 timer gi nok strøm til de fleste bruksområder. Lengre ladetid, på opptil 6 timer, kan øke brukstiden betydelig, avhengig av batteriet og ladingen.

- ◆ Kople verktøyet fra laderen.

**Advarsel!** Ikke bruk verktøyet mens det er koplet til laderen.


### Velge rotasjonsretning (fig. A)

Til boring og isetting av skruer skal verktøyet rotere forover (med klokken). For å løsne skruer eller fjerne et blokkert bor bruker du rotasjon bakover (mot klokken).

- ◆ For å velge rotasjon forover trykker du bryteren for forover/bakover (2) mot venstre.
- ◆ For å velge rotasjon bakover trykker du bryteren for forover/bakover (2) mot høyre.
- ◆ For å låse verktøyet stiller du bryteren for forover/bakover i midtstilling.

### Valg av driftsmodus eller dreiemoment (fig. G)

Dette verktøyet er utstyrt med en justering for valg av driftsmodus og for innstilling av dreiemomentet for isetting av skruer. Store skruer og harde materialer krever en høyere innstilling av dreiemomentet enn små skruer og myke materialer. Kraven har en lang rekke innstillinger som passer til forskjellige oppgaver.

- ◆ For boring i tre, metall og plast stiller du kraven (3) inn på boreposisjon ved å sette drillsymbolet  på linje med merket (15).
- ◆ For skruing stilles kraven til ønsket innstilling. Hvis du ikke vet hvilken innstilling du bør bruke, gjør du slik:
  - ◆ Sett kraven (3) på det laveste dreiemomentet.

- ◆ Stram den første skruen.
- ◆ Hvis koplingen frigjøres før det ønskete resultatet er oppnådd, øker du innstillingen på justeringen og fortsetter å stramme skruen. Gjenta dette til du har oppnådd den korrekte innstillingen. Bruk denne innstillingen for de resterende skruene.

### Slå på og av

#### Strømbryter for variabel hastighet

- ◆ Trykk på den trinnløse strømbryteren (1) for å slå verktøyet på. Verktøyets hastighet er avhengig av hvor langt inn du trykker strømbryteren.
- ◆ Slipp strømbryteren for å slå verktøyet av.

#### På/av-bryter med to hastigheter

- ◆ Trykk på strømbryteren (1) for å slå verktøyet på. Når du trykker forsiktig på bryteren, går verktøyet ved lav hastighet. Når du trykker bryteren lenger inn, går verktøyet ved høy hastighet.
- ◆ Slipp strømbryteren for å slå verktøyet av.

### Råd for optimalt resultat

#### Boring

- ◆ Boret skal trykkes lett og rett ned på arbeidsstykket.
- ◆ Like før boret bryter gjennom på den andre siden av arbeidsstykket, slipper du trykket litt.
- ◆ Bruk en trebit under arbeidsstykket for å unngå splintring.
- ◆ Bruk et flatbor/spiralbor når du skal bore hull med stor diameter i tre.
- ◆ Bruk HSS-bor når du borer i metall.
- ◆ Bruk smøremiddel når du borer i metall utenom støpejern og messing.
- ◆ For bedre presisjon: lag en fordykning med en kjerne i midten av hullet som skal bores.

#### Skruing

- ◆ Bruk alltid riktig type og størrelse på biten.
- ◆ Hvis det er vanskelig å stramme skruene, kan du forsøke å bruke litt flytende vaskemiddel eller såpe som smøremiddel.
- ◆ Hold alltid verktøyet og biten i rett linje med skruen.

### Vedlikehold

Ditt Black & Decker-verktøy har blitt utformet for å være i drift over en lang periode med et minimum av vedlikehold.

Med riktig vedlikehold og regelmessig rengjøring beholder verktøyet ytelsen.

Laderen din behøver ikke annet vedlikehold enn at du tørker over den med jevne mellomrom.

**Advarsel!** Før det utføres noen form for vedlikehold av verktøyet, må batteriet tas ut. Trekk ut kontakten når laderen skal gjøres ren.

- ◆ Rengjør luftinntaket på verktøyet regelmessig med en myk børste eller en tørr klut.
- ◆ Rengjør kåpen regelmessig med en fuktig klut. Ikke bruk slipende eller løsemiddelbaserte rengjøringsmidler.
- ◆ Åpne opp chucken regelmessig, og slå lett på den for å fjerne eventuelt støv fra innsiden.

## Miljø

### Verktøy



Når verktøyet ditt er utslitt, beskytt naturen ved ikke å kaste det sammen med vanlig avfall. Lever det til en oppsamlingsplass som finnes i din kommune eller der hvor du kjøpte verktøyet.

### Batterier



Black & Decker batteriene kan lades mange ganger. Beskytt miljøet ved å levere kasserte batterier til en oppsamlingsplass beregnet for dette.

- ◆ Lad ut batteriene helt og ta de så ut av verktøyet.
- ◆ NiCd og NiMH batterier er gjenvinningsbare. Lever de til innkjøpsstedet eller din lokale gjenvinningsstasjon. Innleverte batterier gjenvinnes eller sendes til et egnet behandlingsanlegg.

### Tekniske data

		KC96	AST2 KC12
Spenning	$V_{DC}$	9,6	12
Hastighet ubelastet	$min^{-1}$	\$	0 - 700
Maks. dreiemoment	Nm	\$	9,3
Chuck-kapasitet	mm	10	10
Maks. borekap. i stål/tre	mm	\$/ \$	\$/ \$

		AST12	KC14
Spenning	$V_{DC}$	12	14,4
Hastighet ubelastet	$min^{-1}$	350/700	0 - 700
Maks. dreiemoment	Nm	9,3	9,4
Chuck-kapasitet	mm	10	10
Maks. borekap. i stål/tre	mm	\$/ \$	\$/ \$

Batteri		A9242	A9252	A9262
Spenning	$V_{DC}$	9,6	12	14,4
Kapasitet	Ah	1,3	1,3	1,3

### Laddare

Spenning	$V_{AC}$	230
Ladetid, ca	h	3

## CE-sikkerhetserklæring

Black & Decker erklærer at disse verktøyer er konstruert i henhold til:

EN 50260, EN 55014, EN 60335, EN 61000

$L_{pA}$  (lydnivå): 70 dB(A),  $L_{WA}$  (akustisk effekt) 83 dB(A), veid geometrisk middelveid av vibrasjonsfrekvensen < 2.5 m/s<sup>2</sup>

Colin Wills

Director of Engineering  
BDCl, 4/F, 2 Dai Wang Street  
Tai Po Industrial Estate  
Tai Po NT, Hong Kong

## Reservdeler / reparasjoner

Reservdeler kan kjøpes hos autoriserte Black & Decker serviceverksteder, som også gir kostnadsoverslag og reparerer våre produkter.

Oversikt over våre autoriserte serviceverksteder finnes på Internet, vår hjemmeside [www.blackdecker.no](http://www.blackdecker.no) samt [www.2helpU.com](http://www.2helpU.com).

## Garanti

Black & Decker garanterer at produktet ikke har material- og/eller fabrikkasjonsfeil ved levering til kunde. Garantien er i tillegg til kundens lovlige rettigheter og påvirker ikke disse. Garantien gjelder innen medlemsstatene i den Europeiske Unionen og i det Europeiske Frihandelsområdet.

Hvis et Black & Decker produkt går i stykker på grunn av material- og/eller fabrikkasjonsfeil eller har mangler i forhold til spesifikasjonene, innen 24 måneder fra kjøpet, påtar Black & Decker seg å reparere eller bytte ut produktet med minst mulig vanskelighet for kunden.

Garantien gjelder ikke for feil som kommer av:

- ◆ normal slittasje
- ◆ feilaktig bruk eller vedlikehold (mislighold)
- ◆ at produktet har blitt skadet av fremmede gjenstander, emner eller ved et uhell

Det gjøres oppmerksom på at produktet ikke er beregnet på industriell/profesjonell/yrkesmessig bruk, men til hus- og hjemmebruk.

Garantien gjelder ikke om reparasjoner har blitt utført av noen andre enn et autorisert Black & Decker serviceverksted.

For å ta garantien i bruk skal produktet og kjøpekvittering leveres til forhandleren eller til et autorisert serviceverksted senest 2 måneder etter at feilen har blitt oppdaget. For informasjon om nærmeste autoriserte serviceverksted; kontakt det lokale Black & Decker kontoret på den adressen som er angitt i bruksanvisningen. En oversikt over alle autoriserte serviceverksteder samt servicevilkår finnes også tilgjengelig på Internet, adresse: [www.2helpU.com](http://www.2helpU.com)

## Anvendelsesområde

Din Black & Decker boremaskine/skruetrækker er designet til bore- og skrueopgaver i træ, metal og plastic.

Værktøjet er kun beregnet til privat brug.

Black & Decker laderen er designet til opladning af samme Black & Decker batterier, som leveres med dette værktøj.

## Sikkerhedsinstruktioner

- ◆ **Advarsel!** Ved brug af genopladeligt værktøj skal de grundlæggende sikkerhedsforanstaltninger, herunder de følgende, altid følges, således at risikoen for brand, lækkende batterier og person- og materialeskader begrænses.
- ◆ Læs denne brugsanvisning igennem, inden værktøjet tages i brug.
- ◆ Opbevar brugsanvisningen let tilgængeligt.

### Hold arbejdsområdet i orden

Uordentlige arbejdsområder og arbejdsbænke indbyder til skader.

### Tænk på arbejdsmiljøets indflydelse

Udsæt ikke værktøjet for regn. Anvend ikke værktøjet på fugtige eller våde pladser. Sørg for en god belysning over arbejdsområdet. Anvend ikke værktøjet hvor der eksisterer risiko for at brand kan opstå eller eksplosioner forekomme, som følge af brug af værktøjet. F. eks. aldrig i nærheden af let antændelige væsker eller gasser.

### Hold børnene på afstand

Børn, besøgende eller dyr må ikke nærme sig arbejdsområdet eller røre ved værktøjet.

### Klæd dig rigtigt på

Bær ikke løst hængende tøj eller smykker. De kan sidde fast i bevægelige dele. Gummihandsker og skridsikre sko anbefales ved udendørs arbejde. Brug hårnet, hvis du har langt hår.

### Personlig beskyttelse

Brug beskyttelsesbriller. Brug ansigts- eller støvmaske, når brug af værktøjet kan medføre støv eller flyvende partikler. Brug høreværn, når lydniveauet virker generende.

### Stræk dig ikke for meget

Sørg for, at du altid har sikkert fodfæste og balance.

### Vær opmærksom

Se på det, du gør. Brug din sunde fornuft. Brug ikke værktøjet, når du er træet.

### Sæt arbejdsemnet fast

Brug skruevinger eller skruestik for at spænde arbejdsemnet fast. Det er sikrere end at bruge hånden, og du får begge hænder fri til arbejdet.

### Tilslut støvudsugningsudstyret

Hvis der findes enheder til tilslutningsfunktionerne støvudsugning og støvopsamling, skal man sørge for, at disse tilsluttes og bruges korrekt.

### Fjern nøglerne

Kontroller at nøgler og justerværktøj er fjernet fra værktøjet, inden det startes.

## Brug det rigtige værktøj

Brugen af værktøjet er beskrevet i denne brugsanvisning.

Tving ikke elværktøj til at udføre arbejde, som er beregnet til kraftigere værktøj. Brug kun tilbehør og dele, der er anbefalet i brugsanvisningen og katalogerne. Værktøjet må ikke forceres.

**Advarsel!** Anvendelsen af andet tilbehør eller udførelse af opgaver med andet værktøj end det her anbefalede kan medføre risiko for personskader.

### Kontrollér værktøjet for skader

Kontrollér omhyggeligt værktøjet for beskadigelser, før du bruger det. Check de bevægelige dele for skæv indstilling og sammenbrændinger, kontrollér for brud på dele, skader på skærme og kontakter samt alt andet, der kan påvirke værktøjets funktion. Kontrollér, at værktøjet fungerer rigtigt og kan udføre det arbejde, det er beregnet til. Værktøjet må ikke benyttes, hvis en af delene er beskadiget eller defekt. Brug ikke værktøjet, hvis det ikke kan tændes og slukkes ved afbryderen. Skadede eller defekte dele skal repareres eller udskiftes af en autoriseret tekniker. Man må aldrig forsøge selv at reparere værktøjet.

### Fjern batteriet

Fjern batteriet når værktøjet er ude af brug og før udskiftning af enhver værktøjsdel, tilbehør eller andet udstyr.

### Undgå utilsigtet start af værktøjet

Man må ikke bære værktøjet med en finger på tænd/sluk knappen. Kontrollér at værktøjet er slukket, når du sætter et batteri i værktøjet.

### Vær forsigtig med ledningen

Laderen må aldrig bæres i ledningen eller tages ud af stikkontakten ved at rive i ledningen. Ledningen skal holdes på afstand fra varme, olie og skarpe kanter.

### Opbevar værktøjet sikkert, når det ikke bruges

Når værktøj, batterier og oplader ikke er i brug, skal de opbevares indelåst eller højt placeret et tørt sted uden for børns rækkevidde.

### Vedligehold værktøjet omhyggeligt

Skærende værktøj skal holdes skarpe og rene, for på denne måde at opnå et bedre og mere sikkert brug.

Følg vedligeholdelsesvejledningen samt vejledningen til udskiftning af tilbehør. Hold håndtagene og knapperne tørre, rene og fri for olie og fedt.

### Reparationer

Dette værktøj opfylder de relevante sikkerhedskrav.

Reparationer må kun foretages af dertil kvalificerede personer, som bruger originale reservedele. I modsat fald kan der opstå betydelig fare for brugeren.

## Yderligere sikkerhedsanvisninger til batterier og ladere

### Batterier

- ◆ Man må aldrig åbne et batteri.
- ◆ Det må ikke udsættes for vand.
- ◆ Det må ikke opbevares i lokaler, hvor temperaturen overstiger 40 °C.

- ◆ Det må kun oplades ved omgivelsestemperaturer mellem 4 °C og 40 °C.
- ◆ Oplad kun med den vedlagte lader (se tekniske data).
- ◆ Før opladning skal man sikre sig, at batteriet er tørt og rent.
- ◆ Benyt kun de til værktøjet beregnede batterier (se tekniske data).
- ◆ Ved kassering af batterier, skal man følge vejledningen givet i afsnittet "Miljø".
- ◆ Under ekstreme forhold kan der forekomme batteriutæthed. Hvis man opdager væske på batteriet, skal man gå frem på følgende måde:
  - Tør forsigtigt væsken af med en klud. Undgå kontakt med huden.
  - I tilfælde af at væsken kommer i kontakt med huden, skal man følge nedenstående vejledning.

**Advarsel!** Batterivæsken, en 25-30% opløsning af kaliumhydroksid, kan være skadelig. Ved hudkontakt skal der omgående skylles med vand. Neutraliser med en mild syre såsom citronsaft eller eddike. Ved øjenkontakt skylles med rigeligt vand i mindst 10 minutter. Opsøg læge.



Brandfare. Undgå at kortslutte kontakterne på et frakoblet batteri med metalgenstande (ved f.eks. at have nøgler i samme lomme som batteriet).



Brænd ikke batteriet.



Oplad ikke et beskadiget batteri.

#### Ladere

- ◆ Din Black & Decker lader må kun benyttes til Black & Decker batterier af samme slags, som de med værktøjet leverede batterier. Andre batterier kan eksplodere og medføre personskader.
- ◆ Man må aldrig forsøge at oplade ikke opladelige batterier.
- ◆ Defekte ledninger skal straks udskiftes.
- ◆ Må ikke udsættes for vand.
- ◆ Laderen må ikke åbnes.
- ◆ Laderen må ikke manipuleres.



Kun beregnet til indendørs brug.

#### Elektrisk sikkerhed



Laderen er dobbelt isoleret; jordledning er derfor ikke påkrævet. Kontroller, om laderens spænding svarer til lysnettets spænding. Forsøg aldrig at udskifte laderenheden med et almindeligt netstik.

## Funktioner (fig. A)

Dette værktøj har nogle af følgende funktioner eller dem alle:

1. Variabel hastighedskontrol eller to-hastigheds afbryder
2. Højre/venstre omskifter
3. Funktionsvælger / krave til vridmomentjustering
4. Borepatron
5. Batteri
6. Batteri-udløserknap
7. Lader
8. Vægholder med indbygget lader
9. Opladerkontakt
10. Opladerstik

## Montering

### Isætning og fjernelse af batteriet (fig. B)

- ◆ For at sætte batteriet (5) i, placeres det på linje med værktøjets batteriholder. Dernæst placeres batteriet i holderen og skubbes på plads.
- ◆ For at fjerne batteriet, trykkes der på de to udløserknapper (6) samtidig med, at batteriet tages ud af batteriholderen.

### Montering og demontering af borebits eller skruetrækkerbits (fig. A & C)

**Advarsel!** Tag først batteriet ud af værktøjet.

Værktøjet er udstyret med en selvspændende patron for at lette udskiftning af bits.

- ◆ Fastlås værktøjet ved at sætte højre/venstre omskifteren (2) i midterposition (fig. A).
- ◆ Åbn patronen ved at dreje frontdelen (11) med den ene hånd, mens bagenden (12) holdes med den anden (fig. C).
- ◆ Sæt bitskaftet (13) ind i patronen.
- ◆ Stram patronen ved at dreje frontdelen (11) med den ene hånd, mens bagenden (12) holdes med den anden.

### Udtagning og genindsætning af borepatronen (fig. D)

- ◆ Åbn borepatronen så meget som muligt.
- ◆ Fjern patronens fastholdelseskruer ved at dreje den med uret med en skruetrækker.
- ◆ Stram en unbrakonøgle (14) ind i borepatronen og slå den med en hammer som vist.
- ◆ Fjern unbrakonøglen.
- ◆ Fjern borepatronen ved at dreje den mod uret.
- ◆ Sæt borepatronen på plads igen ved at skruer den på spindlen og låse den med borepatronens fastholdelseskruer.

## Brug

### Opladning af batteriet

Batteriet skal oplades, før det tages i brug for første gang, samt når det ikke er i stand til at yde tilstrækkelig kraft til opgaver, som normalt udføres uden besvær.

Et nyt batteri eller et batteri, der ikke har været anvendt i længere tid, opnår først sin fulde ydeevne efter ca. 5 afladnings- og opladningsomgange. Batteriet kan blive opvarmet under opladning; dette er normalt og er ikke ensbetydende med, at der er problemer.

**Advarsel!** Batteriet må ikke oplades i omgivelsestemperaturer på under 4 °C eller over 40 °C.

Anbefalet opladningstemperatur: ca. 24 °C.

### Oplader med vægholder (fig. E)

- ◆ For at oplade batteriet (6) fjernes det fra værktøjet og sættes ind i opladervægholderen (8). Batteriet kan kun sættes ind på én måde. Man må ikke tvinge det. Man skal sikre sig, at batteriet sidder helt inde i opladeren.
- ◆ Sæt opladeren i stikkontakten.

Efter normal brug vil en opladning på 3 timer give tilstrækkelig kraft til de fleste formål. Men yderligere opladning i op til 6 timer kan øge anvendelsestiden betydeligt, afhængigt af batteriets tilstand og opladningsforholdene.

- ◆ Fjern batteriet fra opladeren.

### Oplader uden vægholder (fig. F)

- ◆ Sørg for at batteriet er monteret på boremaskinen, når det skal lades op.
- ◆ Sæt opladerstikket (10) i kontakten (9).
- ◆ Sæt opladeren i stikkontakten.

Efter normal brug vil en opladning på 3 timer give tilstrækkelig kraft til de fleste formål. Men yderligere opladning i op til 6 timer kan øge anvendelsestiden betydeligt, afhængigt af batteriets tilstand og opladningsforholdene.

- ◆ Tag værktøjet fra opladeren.

**Advarsel!** Brug ikke værktøjet, mens det er koblet til opladeren.

### Valg af rotationsretning (fig. A)

Til boring og stramning af skruer benyttes højrotation (med uret). For at løsne skruer eller fjerne blokerede borebits drejes i den modsatte retning (mod uret).

- ◆ For at vælge højrekørsel, skubbes højre/venstre omskifteren (2) til venstre.
- ◆ For at vælge venstrekørsel, skubbes højre/venstre omskifteren til højre.
- ◆ For at låse værktøjet sættes højre/venstre omskifteren i midten.

### Valg af funktionstilstand eller vridmoment (fig. G)

Værktøjet er udstyret med en krave til valg af funktionstilstanden og til indstilling af vridmomentet til stramning af skruer.

Store skruer og hårde arbejdsemner kræver en højere vridmomentindstilling end små skruer og bløde arbejdsemner. Kraven har mange indstillinger til ethvert behov.

- ◆ Hvis man vil bore i træ, metal og plastic, indstilles kraven (3) på borepositionen ved at sætte 2 ud for markeringen (15).
- ◆ Hvis man ønsker at skrue skruer, indstilles kraven på den ønskede position. Hvis ikke man kender den korrekte indstilling, skal man gå frem som nedenfor beskrevet:
  - ◆ Indstil kraven (3) på det laveste vridmoment.
  - ◆ Stram den første skrue.
  - ◆ Hvis ikke man opnår det ønskede resultat, øges kravens indstilling, og man fortsætter med at stramme skruen. Proceduren gentages, indtil man opnår det ønskede resultat. Denne indstilling benyttes til resten af skrueerne.

### Tænding og slukning

#### Afbryder med variabel hastighedskontrol

- ◆ For at tænde værktøjet trykkes der på afbryderen (1). Værktøjets hastighed afhænger af, hvor langt ned man trykker afbryderen.
- ◆ For at slukke værktøjet slippes afbryderen.

#### Afbryder med to hastigheder

- ◆ For at tænde værktøjet skal man trykke på afbryderen (1). Når man trykker let på afbryderen, kører maskinen for lav hastighed. Når man trykker yderligere på afbryderen, kører maskinen for fuld hastighed.
- ◆ For at slukke værktøjet slippes afbryderen.

### Gode råd til optimalt brug

#### Boring

- ◆ Man skal altid trykke let nedad i lige linie med borebitsen.
- ◆ Lige før borespidsen går igennem arbejdsemnets bagside, lettes trykket på værktøjet.
- ◆ Benyt en træklods til at støtte bagsiden af arbejdsemner, som kan splintre.
- ◆ Benyt spadebits, når der bores huller med stor diameter i træ.
- ◆ Benyt HSS borebits, når der bores i metal.
- ◆ Benyt smøremiddel, når der bores i metal, som ikke er støbejern eller messing.
- ◆ Lav et prøvehul ved at benytte en kørner i centrum af det hul, som skal bores, for således at forbedre nøjagtigheden.

#### Benyttelse som skruetrækker

- ◆ Man skal altid benytte skruetrækkerbits af korrekt type og størrelse.



- Hvis skrueerne er svære at stramme, kan man påsmøre en smule sæbe som smøremiddel.
- Værktøjet og skruestrækkerbitsen skal altid holdes lige på skruen.

## Vedligeholdelse

Deres Black & Decker værktøj er blevet designet til at være i drift gennem en længere periode med en minimal vedligeholdelse. Fortsat tilfredsstillende drift afhænger af en korrekt behandling af værktøjet samt regelmæssig rengøring. Opladeren kræver ingen anden vedligeholdelse end regelmæssig rengøring.

**Advarsel!** Før udførelse af vedligeholdelsesopgaver på værktøjet, skal batteriet fjernes. Tag opladeren ud af stikkontakten før den rengøres.

- Man skal regelmæssigt rengøre værktøjets ventilationshuller med en blød børste eller en tør klud.
- Man skal regelmæssigt rengøre motorkassen med en fugtig klud. Man må ikke benytte slibemidler eller opløsningsmidler.
- Man skal regelmæssigt åbne patronen og banke den let for på denne måde at fjerne støv fra dens indre.

## Miljø

### Værktøj



Når dit værktøj er udtjent, beskyt da naturen ved ikke at smide det ud sammen med det almindelige affald. Aflever det til de opsamlingssteder, der findes i din kommune eller der hvor du købte værktøjet.

### Batterier



Black & Decker batterierne kan genoplades mange gange. Beskyt miljøet ved at aflevere de kasserede batterier på dertil beregnede opsamlingssteder.

- Aflad batteriet fuldstændigt og fjern det fra værktøjet.
- NiCd og NiMH batterier kan genbruges. Aflever dem til købsstedet eller til den lokale genbrugsstation. Genanvendelige batterier genbruges eller sendes til specielle behandlingsanlæg.

## Tekniske data

	KC96	AST2	KC12
Spænding	$V_{DC}$ 9,6	12	
Ubelastet hastighed	$min^{-1}$ \$	0 - 700	
Max. vridmoment	Nm \$	9,3	
Patronkapacitet	mm 10	10	
Max. bore kapacitet i stål/træ	mm \$/\$	\$/\$	

	AST12	KC14
Spænding	$V_{DC}$ 12	14,4
Ubelastet hastighed	$min^{-1}$ 350/700	0 - 700
Max. vridmoment	Nm 9,3	9,4
Patronkapacitet	mm 10	10
Max. bore kapacitet i stål/træ	mm \$/\$	\$/\$

Batteri	A9242	A9252	A9262
Spænding	$V_{DC}$ 9,6	12	14,4
Kapacitet	Ah	1,3	1,3 1,3

### Lader

Spænding	$V_{AC}$ 230
Opladningstid (ca.)	h 3

## EU-overensstemmelseserklæring

Black & Decker erklærer, at disse værktøjer er konstrueret i henhold til:

EN 50260, EN 55014, EN 60335, EN 61000

$L_{pA}$  (lydniveau): 70 dB(A),  $L_{WA}$  (akustisk styrke) 83 dB(A), hånd/arm vægt vibration < 2.5 m/s<sup>2</sup>

Colin Wills  
Director of Engineering  
BDCI, 4/F, 2 Dai Wang Street  
Tai Po Industrial Estate  
Tai Po NT, Hong Kong

## Reservedele / reparationer

Reservedele kan købes hos autoriserede Black & Decker serviceværksteder, som giver forslag til omkostninger og reparerer vore produkter. Oversigt over vore autoriserede værksteder findes på internettet på vor hjemmeside [www.blackdecker.dk](http://www.blackdecker.dk) samt [www.2helpU.com](http://www.2helpU.com).

## Garanti

Black & Decker garanterer, at produktet er fri for materielle skader og/eller fabrikationsfejl ved levering til kunden. Garantien er et tillæg til konsumentens lovlige rettigheder og påvirker ikke disse. Garantien gælder indenfor medlemsstaterne af den Europæiske Union og i det Europæiske Frihandelsområde.

Hvis et Black & Decker produkt går i stykker på grund af materiel skade og/eller fabrikationsfejl eller på anden måde ikke fungerer i overensstemmelse med specifikationen, inden for 24 måneder fra købsdatoen, påtager Black & Decker sig at reparere eller ombytte produktet med mindst muligt besvær for kunden.

Garantien gælder ikke for fejl og mangler, der er sket i forbindelse med:

- ◆ normal slitage
- ◆ uheldige følger efter unormal anvendelse af værktøjet
- ◆ overbelastning, hærværk eller overdrevent intensivt brug af værktøjet
- ◆ ulykkehændelse

Garantien gælder ikke hvis reparationer er udført af nogen anden end et autoriseret Black & Decker værksted.

For at udnytte garantien skal produktet og købskvitteringen indleveres til forhandleren eller til et autoriseret værksted, senest 2 måneder efter at fejlen opdages. For information om nærmeste autoriserede værksted: kontakt det lokale Black & Decker kontor på den adresse som er opgivet i brugsanvisningen. Liste over alle autoriserede Black & Decker serviceværksteder samt servicevilkår er tilgængelig på internettet, på adressen **[www.2helpU.com](http://www.2helpU.com)**.

## Käyttötarkoitus

Black & Deckerin akkuporakone/ruuvinväännin on tarkoitettu ruuvaamiseen sekä puun, metallin ja muovin poraamiseen. Kone on tarkoitettu kotikäyttöön.

Black & Deckerin laturi on suunniteltu tämän työkalun mukana toimitetun Black & Decker -akun lataamiseen.

## Turvallisuusohjeet

- ◆ **Varoitus!** Akkukäyttöisiä koneita käytettäessä on aina noudatettava mm. seuraavia turvallisuusohjeita, jotta tulipalojen, akkuvuotojen, henkilövahinkojen ja materiaali- tai vaurioiden riski olisi mahdollisimman pieni.
- ◆ Lue käyttöohje huolellisesti ennen koneen käyttöönottoa.
- ◆ Säilytä käyttöohje kaikkien koneen käyttäjien ulottuvilla.

### Pidä työskentelyalue siistinä

Poista roskat ja mahdolliset esteet työskentelyalueelta välttyäksesi vaurioilta.

### Ajattele työskentelyalueen vaikutusta työhösi

Älä altista konetta sateelle äläkä käytä sitä kosteissa tai märissä paikoissa. Järjestä työskentelyalueelle hyvä valaistus. Älä käytä konetta paikassa, jossa on tulipalo- tai räjähdysvaara, esim. palavien nesteiden tai kaasujen läheisyydessä.

### Työskentele lasten ulottumattomissa

Älä anna lasten, vieraiden tai eläinten tulla lähelle työskentelyaluetta tai koskea koneeseen.

### Pukeudu asianmukaisesti

Älä käytä liian väljiä vaatteita tai koruja. Ne voivat tarttua liikkuviin osiin. Käytä ulkona työskennellessäsi kumihansikkaita ja liukumattomia kenkiä. Jos sinulla on pitkät hiukset, käytä hiusverkkoa.

### Suojavaatetus

Käytä aina suojalaseja. Käytä kasvosuojaa, jos työskennellessä syntyy pölyä tai hiukkasia. Käytä kuulosuojaimia, jos melutaso tuntuu epämukavalta.

### Älä kurottele

Seiso aina tukevasti ja tasapainossa.

### Ole tarkkaavainen

Keskity työhösi. Käytä tervettä järkeä. Älä käytä sähkötyökalua, kun olet väsynyt.

### Kiinnitä työstökappale kunnolla

Käytä ruuvipuristinta tai -kappaletta, jotta työstökappale pysyy kunnolla kiinni. Näin saat molemmat kädet vapaaksi työhön.

### Liitä pölynpoistolaitte

Jos laitteissa on liitäntä pölynpoisto- ja pölynkeräyslaitteistolle, varmista, että ne on kiinnitetty ja niitä käytetään oikein. HUOM! Käytä ainoastaan teollisuuspölynimuria.

### Poista avaimet

Poista säätöavaimet ja asennustyökalut koneesta ennen kuin käynnistät sen.

### Käytä oikeaa konetta

Käytä konetta ainoastaan sellaiseen työhön, johon se on tarkoitettu.

Käytä vain käyttöohjeessa ja tuotekuvastossa suositeltuja tarvikkeita ja lisälaitteita. Jonkin muun laitteen käyttö voi aiheuttaa onnettomuuden. Älä ylikuormita konetta.

### Tarkista, että kone on kunnossa

Tarkista ennen käyttöä, ettei kone ole vaurioitunut.

Tarkista, etteivät liikkuvat ja muut osat sekä suoja ole viallisia, ja että kaikki muut käyttöön mahdollisesti vaikuttavat tekijät ovat kunnossa. Varmista, että kone toimii oikein ja täyttää tehtävänsä. Älä käytä konetta, jos jokin sen osista on viallinen. Älä käytä konetta, jos se ei käynnisty ja pysähdy virrankatkaisijasta. Viallinen osa tulee korjata tai vaihtaa valtuutetussa Black & Deckerin huoltoliikkeessä. Älä koskaan yritä korjata konetta itse.

### Poista akku

Poista akku, kun konetta ei käytetä, ennen minkään koneen osan, tarvikkeen tai lisälaitteen vaihtamista, sekä ennen huoltoa.

### Vältä tahatonta käynnistämistä

Älä koskaan kanna konetta sormet kiinni virrankatkaisijassa. Varmista, että työkalu on kytketty pois päältä, kun laitat akun työkaluun.

### Huolehdi johdon kunnosta

Älä koskaan kanna laturia johdosta äläkä irrota pistoketta virtalähteestä vetämällä johdosta. Suojaa johto kuumuudelta, öljyltä ja teräviltä reunoilta.

### Säilytä konetta oikein

Kun kone ei ole käytössä, sen ja akun tulee olla varastoituna kuivaan paikkaan lasten ulottumattomissa.

### Hoida työkalua huolellisesti

Pidä työkalu puhtaana ja käytä teräviä teriä tehokasta ja turvallista työskentelyä varten. Noudata huollosta ja tarvikkeiden vaihdosta annettuja ohjeita. Pidä virrankatkaisija ja kädensijat kuivina ja puhtaina öljystä ja rasvasta.

### Korjaukset

Tämä kone täyttää voimassa olevat turvallisuusvaatimukset. Korjauksia saa tehdä vain Black & Deckerin valtuuttama huoltoliike, joka käyttää alkuperäisosa. Muussa tapauksessa käyttäjä saattaa joutua vaaratilanteisiin.

## Lisäturvaohjeet akuille ja laturille

### Akut

- ◆ Älä koskaan yritä avata akkua.
- ◆ Älä altista akkua vedelle.
- ◆ Älä säilytä akkua paikassa, jonka lämpötila ylittää +40 °C.
- ◆ Lataa akku ainoastaan lämpötilan ollessa +4 °C - +40 °C.
- ◆ Lataa akku käyttäen ainoastaan koneen mukana toimitettua laturia (ks. tekniset tiedot)
- ◆ Ennen lataamista varmista, että akku on kuiva ja puhtas.
- ◆ Käytä koneessa ainoastaan siihen tarkoitettua akkua (ks. tekniset tiedot).
- ◆ Kun poistat akun käytöstä, noudata kappaleessa "Ympäristö" annettuja ohjeita.

- ◆ Äärimmäisissä olosuhteissa akku saattaa vuotaa. Jos havaitset akusta tulevan nestettä, toimi seuraavasti:
  - Kuivaa neste varovasti pois rievulla. Vältä nesteen joutumista iholle.
  - Mikäli nestettä joutuu iholle tai silmiin, noudata alla olevia ohjeita:

**Varoitus!** Akkuneste (25-30 % kaliumhydroksidiliuosta) saattaa olla haitallista. Jos akkunestettä pääsee iholle, huuho se välittömästi vedellä. Neutralisoi akkuneste esim. etikalla tai sitruunamehulla. Jos akkunestettä joutuu silmiin, huuho silmiä runsaalla vedellä vähintään 10 minuuttia, ja ota heti yhteys lääkäriin.



Palovaara! Vältä, ettei irrotetun akun kontaktit mene oikosulkuun metallin kanssa (esim. säilytettäessä akkua työkalupakissa).



Älä polta akkuja.



Älä koskaan käytä viallisia akkuja.

## Laturi

- ◆ Käytä Black & Decker-laturia ainoastaan koneen mukana toimitetun akun lataamiseen. Muunlaiset akut saattavat räjähtää aiheuttaen henkilö- ja esinevahinkoja.
- ◆ Älä koskaan yritä ladata ei-ladattavia akkuja.
- ◆ Vaihda vialliset johdot välittömästi.
- ◆ Älä altista laturia vedelle.
- ◆ Älä avaa laturia.
- ◆ Älä vahingoita laturia.



Tarkoitettu vain sisäkäyttöön.

## Sähköinen turvallisuus



Laturisi on kaksoiseristetty; siksi ei tarvita erillistä maadoitusta. Tarkista, että laturin jännite vastaa verkon jännitettä. Lataa akku ainoastaan mukana toimitetulla laturilla.

## Ominaisuudet (kuva A)

Tällä koneella on kaikki tai osa seuraavista ominaisuuksista.

1. Nopeudensäätönappi tai kaksinopeuksinen virrankatkaisin (on/off)
2. Suunnanvaihtokytkin
3. Porausasennon valitsin / vääntömomentin säädin
4. Istukka
5. Akku
6. Akun vapautusnappi

7. Laturi
8. Seinäteline
9. Laturin liitin
10. Laturin pistoke

## Kokoaminen

### Akun kiinnittäminen ja poistaminen (kuva B)

- ◆ Kiinnitä akku (5) asettamalla se koneen liitännän kanssa samaan linjaan. Liu'uta akkua liitännään, kunnes se lukittuu paikalleen.
- ◆ Poista akku painamalla kahta vapautusnappia (6) samanaikaisesti, kun vedät akun pois.

### Poranterien ja ruuvitaltojen kiinnittäminen ja poistaminen (kuvat A & C)

**Varoitus!** Poista ensin akku koneesta.

Koneessa on pikaistukka, jonka avulla terien vaihtaminen on helppoa.

- ◆ Lukitse kone laittamalla suunnanvaihtokytkin (2) keskiasentoon (kuva A).
- ◆ Avaa istukka kiertämällä etuosaa (11) toisella kädellä samalla, kun pidät takaosasta (12) kiinni toisella kädellä (kuva C).
- ◆ Laita terävarsi (13) istukkaan.
- ◆ Kiristä istukka tiukalle kiertämällä etuosaa (11) toisella kädellä samalla kun pidät takaosasta (12) kiinni toisella kädellä.

### Istukan poisto ja kiinnittäminen (kuva D)

- ◆ Avaa istukkaa niin paljon kuin mahdollista.
- ◆ Poista istukan kiristysruuvi kiertämällä sitä myötöpäivään ruuvimeisselillä.
- ◆ Kiristä kuusiokoloavain (14) istukkaan ja lyö sitä kevyesti vasaralla kuvan osoittamalla tavalla.
- ◆ Poista kuusiokoloavain.
- ◆ Poista istukka kiertämällä sitä vastapäivään.
- ◆ Kiinnittäaksesi istukan uudelleen ruuvaa se karaan ja lukitse kiristysruuvilla.

## Käyttö

### Akun lataaminen

Akku tulee ladata ennen ensimmäistä käyttökertaa ja aina silloin, kun se ei enää tuota riittävästi virtaa toimintoihin, jotka aikaisemmin hoituivat helposti. Uusi akku tai akku, jota ei ole käytetty pitempään aikaan, saavuttaa täyden tehonsa vasta noin viiden latautumis- ja purkautumiskerran jälkeen. Akku voi lämmetä ladattaessa; tämä on normaalia eikä ole merkinä minkäänlaisesta ongelmasta.

**Varoitus!** Älä lataa akkua alle 4 °C tai yli +40 °C asteen lämpötiloissa. Suositeltava latauslämpötila: noin +24 °C.

#### Laturi lataustelineellä (kuva E)

- ◆ Akun (5) lataamiseksi poista se koneesta ja aseta se lataustelineeseen (8). Akku sopii lataustelineeseen vain yhdessä asennossa. Älä laita sitä laturiin väkisin. Varmista, että akku on kunnolla lataustelineessä.

- ◆ Liitä laturi virtalähteeseen.

Normaalin käytön jälkeen 3 tunnin latausaika antaa riittävän tehon useimpia käyttökohteita varten. Jos latausta jatketaan 6 tuntiin asti, käyttöaika voi kasvaa huomattavasti akun ja latausolosuhteiden mukaan.

- ◆ Poista akku laturista.

#### Laturi ilman lataustelinettä (kuva F)

- ◆ Varmista, että akku on porakoneessa, kun alat lataamaan.
- ◆ Liitä laturin pistoke (10) liittimeen (9).
- ◆ Liitä laturi virtalähteeseen.

Normaalin käytön jälkeen 3 tunnin latausaika antaa riittävän tehon useimpia käyttökohteita varten. Jos latausta jatketaan 6 tuntiin asti, käyttöaika voi kasvaa huomattavasti akun ja latausolosuhteiden mukaan.

- ◆ Irrota työkalu laturista.

**Varoitus!** Älä käytä konetta, kun se on liitettyinä laturiin.


#### Pyörimissuunnan valitseminen (kuva A)

Käytä eteenpäin (myötäpäivään) suuntautuvaa pyörimisliikettä poraamiseen ja ruuvien kiristämiseen. Käytä taaksepäin (vastapäivään) suuntautuvaa pyörimisliikettä ruuvien tai jumiutuneen poranterän irrottamiseen.

- ◆ Valitse pyörimissuunnaksi eteenpäin siirtämällä suunnanvaihtokytkin (2) vasemmalle.
- ◆ Valitse pyörimissuunnaksi taaksepäin siirtämällä suunnanvaihtokytkin (2) oikealle.
- ◆ Lukitse kone asettamalla suunnanvaihtokytkin keskiasentoon.

#### Käyttöasennon ja vääntömomentin valitseminen (kuva G)

Koneessa on säädin, jolla valitaan porausasento tai vääntömomentti ruuvien kiristämistä varten. Isot ruuvit ja kovat materiaalit vaativat suuremman momentin kuin pienet ruuvit ja pehmeät materiaalit. Säätimessä on laajat valintamahdollisuudet eri käyttötarkoituksia varten.

- ◆ Jos aiot porata puuta, metallia tai muoveja, aseta säädin (3) porausasentoon siirtämällä merkki  kohdakkain nuolen (15) kanssa.
- ◆ Ruuvaamista varten aseta säädin haluttuun momenttiin. Jos et tiedä oikeaa momenttia, toimi seuraavalla tavalla:
  - ◆ Aseta säädin (3) alhaisimmalle momentille.
  - ◆ Kiristä ensimmäinen ruuvi.

- ◆ Jos momentti ei riitä ruuvien ruuvaukseen, lisää momenttia ja jatka ruuvien kiristämistä. Toista toimenpide, kunnes löydät oikean momentin. Käytä samaa momenttia jäljellä olevien ruuvien kiristämiseen.

#### Käynnistys ja pysäytys

**Virrankatkaisija portaattomalla nopeudensäädöllä**

- ◆ Käynnistä kone painamalla virranksaisijaa (1). Koneen nopeus riippuu siitä, kuinka paljon virranksaisijaa painetaan.
- ◆ Sammuta kone päästämällä irti virranksaisimesta (1).

**Kaksinopeuksinen virranksaisin (on/off)**

- ◆ Käynnistä kone painamalla virranksaisijaa (1). Työkalu toimii pienellä nopeudella, kun kytkintä painetaan vain hieman. Kun kytkintä painetaan lisää, työkalu toimii suuremmalla nopeudella.
- ◆ Sammuta kone päästämällä irti virranksaisimesta (1).

#### Vinkkejä parhaimman tuloksen saamiseksi

**Poraaminen**

- ◆ Paina terää kevyesti suoraan työstökappaletta kohti.
- ◆ Vähennä koneen painamista juuri ennen kuin terän kärki tulee ulos työstökappaleen toiselta puolelta.
- ◆ Käytä puunpalaa työstökappaleen alla halkeilun estämiseksi.
- ◆ Käytä litteää puuporanterää poratessasi suuria reikiä puuhun.
- ◆ Käytä HSS-teriä (pikaterästeriä) poratessasi metallia.
- ◆ Käytä voiteluainetta poratessasi muita metalleja kuin valurautaa tai messinkiä.
- ◆ Tee pistepuikolla aloitusreikä porattavan reiän keskikohtaan, niin porauksen tarkkuus paranee.

**Ruuvaaminen**

- ◆ Käytä aina oikean mallista ja -kokoista ruuvitalttaa.
- ◆ Jos ruuvia on hankala kiristää, voidaan voiteluaineena käyttää hiukan nestemäistä pesuainetta tai saippuaa.
- ◆ Pidä konetta ja ruuvitalttaa aina kohtisuorassa ruuviin nähden.

#### Huolto

Black & Deckerin kone on suunniteltu toimimaan mahdollisimman pitkän aikaa mahdollisimman vähällä huollolla. Oikealla huollolla ja säännöllisellä puhdistuksella kone säilyttää suorituskykynsä. Laturi ei tarvitse säännöllisen puhdistamisen lisäksi minkään muunlaista huoltoa.

**Varoitus!** Poista akku ennen työkalun huoltamista. Irrota laturi virtalähteestä ennen puhdistamista.

- ◆ Puhdista työkalun ilma-aukot säännöllisesti pehmeällä harjalla tai kuivalla rievulla.
- ◆ Puhdista työkalun kuori säännöllisesti kostealla rievulla. Älä koskaan käytä puhdistamiseen liuotainaineita tai syövyttäviä puhdistusaineita.
- ◆ Avaa istukka säännöllisin väliajoin ja kopauta sitä pölyjen poistamiseksi sisältä.

## Ympäristö

### Kone



Kun koneesi on käytetty loppuun, älä heitä sitä tavallisten roskien mukana pois, vaan vie se paikkakuntasi kierrätyskeskukseen tai jätä valtuutettuun Black & Deckerin huoltoliikkeeseen.

### Akut



Black & Deckerin akut voidaan ladata useita kertoja. Suojele luontoa viemällä loppuunkäytetyt akut niille tarkoitettuun keräyspaikkaan tai -astiaan.

- ◆ Käytä akku täysin loppuun ja poista se sitten työkalusta.
- ◆ NiCD ja NiMH -akut ovat kierrätettäviä. Voit viedä ne niille tarkoitettuun keräysastiaan tai paikalliseen kierrätyskeskukseen. Kerätyt akut toimitetaan kierrätykseen ja käsitellään asianmukaisesti.

## Tekniset tiedot

		KC96	AST2 KC12
Jännite	$V_{DC}$	9,6	12
Kuormittamaton nopeus	$min^{-1}$	\$	0 - 700
Max. vääntömomentti	Nm	\$	9,3
Istukka	mm	10	10
Max. porausteho teräs/puu	mm	\$/ \$	\$/ \$

		AST12	KC14
Jännite	$V_{DC}$	12	14,4
Kuormittamaton nopeus	$min^{-1}$	350/700	0 - 700
Max. vääntömomentti	Nm	9,3	9,4
Istukka	mm	10	10
Max. porausteho teräs/puu	mm	\$/ \$	\$/ \$

Akku		A9242	A9252	A9262
Jännite	$V_{DC}$	9,6	12	14,4
Teho	Ah		1,3	1,3 1,3

### Laturi

Jännite	$V_{AC}$	230
Latausaika (noin)	h	3

## CE-vaatimustenmukaisuusvakuutus

Black & Decker vakuuttaa, että nämä työkalut ovat EN 50260, EN 55014, EN 60335, EN 61000 mukaiset.

$L_{pA}$  (äänenpaine): 70 dB(A),  $L_{WA}$  (ääniteho) 83 dB(A),  
tärinätaajuuden painotettu geometrinen keskiarvo < 2.5 m/s<sup>2</sup>

Colin Wills

Director of Engineering  
BDCI, 4/F, 2 Dai Wang Street  
Tai Po Industrial Estate  
Tai Po NT, Hong Kong

## Korjaukset / varaosat

Mikäli koneeseen tulee vikaa, jätä se aina Black & Deckerin valtuuttamaan huoltoliikkeeseen korjattavaksi (tiedot löytyvät uusimmasta tuoteluettelostamme tai ottamalla yhteyttä Black & Decker Oy:hyn). Varaosia myyvät valtuutetut Black & Deckerin huoltoliikkeet, ja heiltä voi myös pyytää kustannusarvion koneen korjauksesta.

Tiedot valtuutetuista huoltoliikkeistä löytyvät myös internetistä osoitteesta [www.2helpU.com](http://www.2helpU.com) sekä kotisivuiltamme [www.blackdecker.fi](http://www.blackdecker.fi).

## Takuu

Black & Decker Oy takaa, ettei koneessa ollut materiaali- ja/ tai valmistusvikaa silloin, kun se toimitettiin ostajalle. Takuu on lisäys kuluttajan laillisiin oikeuksiin eikä vaikuta niihin. Takuu on voimassa Euroopan Unionin jäsenmaissa ja Euroopan vapaakauppa-alueella (EFTA).

Mikäli Black & Decker -kone hajooa materiaali- ja/ tai valmistusvirheen tai teknisten tietojen epätarkkuuden vuoksi 24 kk:n kuluessa ostopäivästä, Black & Decker korjaa koneen ilman kustannuksia ostajalle tai vaihtaa sen uuteen Black & Decker Oy:n valinnan mukaan.

Takuu ei kata vikoja, jotka johtuvat koneen

- ◆ normaalista kulumisesta
- ◆ ylikuormituksesta, virheellisestä käytöstä tai hoidosta
- ◆ vahingoittamisesta vieraalla esineellä tai aineella tai onnettomuustapauksessa.

Takuu ei ole voimassa, mikäli konetta on korjannut joku muu kuin Black & Deckerin valtuuttama huoltoliike.

Edellytyksenä takuun saamiselle on, että ostaja jättää koneen ja ostokuitin jälleenmyyjälle tai valtuutetulle huoltoliikkeelle viimeistään 2 kuukauden kuluessa vian ilmenemisestä.

Tiedot valtuutetuista huoltoliikkeistä saa ottamalla yhteyttä Black & Decker Oy:hyn sekä internetistä osoitteesta [www.2helpU.com](http://www.2helpU.com), jossa on myös takuehdot.

## Ενδεδειγμένη χρησιμοποίηση

Το δραπανοκατσάβιδο Black & Decker έχει σχεδιαστεί για εφαρμογές βιδώματος και για διάτρηση σε ξύλο, μέταλλο και πλαστικά.

Αυτό το εργαλείο προορίζεται μόνο για ερασιτεχνική χρήση. Ο φορτιστής της Black & Decker έχει σχεδιαστεί για να φορτίζει μπαταρίες Black & Decker του τύπου που παρέχονται με αυτό το εργαλείο.

## Οδηγίες ασφαλείας

- ♦ **Προσοχή!** Κατά τη χρήση επαναφορτιζόμενων εργαλείων, θα πρέπει πάντα να λαμβάνονται οι βασικές προφυλάξεις ασφαλείας, για τον περιορισμό του κινδύνου πυρκαγιάς, διαρροής υγρού από μπαταρίες, σωματικών βλαβών και υλικών ζημιών.
- ♦ Πριν χρησιμοποιήσετε το εργαλείο διαβάστε προσεκτικά τις παρακάτω οδηγίες.
- ♦ Φυλάξτε το εγχειρίδιο αυτό για μελλοντική αναφορά.

### Διατηρείτε καθαρό το χώρο εργασίας

Ακατάστατοι χώροι και πάγκοι εγκυμονούν κίνδυνο τραυματισμού.

### Λάβετε υπ' όψη τις επιδράσεις του περιβάλλοντος

Μην εκθέτετε ηλεκτρικά εργαλεία σε υγρασία. Φροντίστε η περιοχή εργασίας να είναι καλά φωτισμένη. Μη χρησιμοποιείτε το εργαλείο αν υπάρχει κίνδυνος να προκληθεί πυρκαγιά ή έκρηξη, π.χ. κοντά σε εύφλεκτα υγρά και αέρια.

### Κρατάτε τα παιδιά σε απόσταση

Μην επιτρέπετε σε παιδιά, επισκέπτες ή ζώα να πλησιάζουν στο χώρο εργασίας ή να αγγίζουν το εργαλείο.

### Φοράτε τα κατάλληλα ρούχα εργασίας

Μη φοράτε φαρδιά ρούχα ή κοσμήματα. Υπάρχει πιθανότητα να πιαστούν σε κινούμενα μέρη μηχανών. Για υπαίθριες εργασίες συνιστώνται λαστιχένια γάντια και υποδήματα που δε γλιστρούν. Εάν έχετε μακριά μαλλιά φοράτε προστατευτικό δίχτάκι.

### Ατομική προστασία

Φορέστε προστατευτικά γυαλιά. Φορέστε μάσκα προσώπου ή προστασίας από τη σκόνη, στις περιπτώσεις που η εργασία ενδέχεται να προκαλέσει την παραγωγή σκόνης ή αιωρούμενων σωματιδίων. Φοράτε ωτασπίδες σε περιπτώσεις που η στάθμη του θορύβου σας προκαλεί δυσφορία.

### Μη σκύβετε πάρα πολύ

Φροντίστε πάντοτε να έχετε την κατάλληλη στάση και να διατηρείτε την ισορροπία σας.

### Να είστε πάντα προσεκτικοί

Παρακολουθείτε την εργασία σας. Ενεργείτε λογικά. Μη χρησιμοποιείτε το εργαλείο όταν είστε κουρασμένος.

### Στηρίξτε με ασφαλή τρόπο το αντικείμενο στο οποίο εργάζεστε

Χρησιμοποιείστε σφιγκτήρες ή μέγγενη για το σκοπό αυτό. Η μέθοδος αυτή είναι ασφαλέστερη και ελευθερώνει και τα δύο σας χέρια για το χειρισμό του εργαλείου.

## Συνδέστε τη συσκευή αφαίρεσης σκόνης

Εάν παρέχονται συσκευές για τη σύνδεση συσκευών αφαίρεσης και συλλογής σκόνης, βεβαιωθείτε ότι η σύνδεση και η χρήση τους γίνεται με τον ενδεδειγμένο τρόπο.

### Απομακρύνετε από το μηχάνημα τα κλειδιά που χρησιμοποιείτε για τη ρύθμισή του

Πριν βάλετε σε λειτουργία το εργαλείο, βεβαιωθείτε πάντα ότι έχετε βγάλει από αυτό τα κλειδιά για τη ρύθμισή του.

### Χρησιμοποιείτε το σωστό εργαλείο

Η ενδεδειγμένη χρησιμοποίηση αναφέρεται σε αυτές τις οδηγίες χρήσεως. Μη χρησιμοποιείτε εργαλεία χαμηλής ισχύος ή προσθήκες για βαριές εργασίες. Το εργαλείο σας θα λειτουργήσει επιτυχέστερα και ασφαλέστερα εάν χρησιμοποιηθεί σύμφωνα με της προδιαγραφές του. Μη ζορίζετε το εργαλείο.

**Προσοχή!** Τόσο η χρήση εξαρτημάτων ή προσθηκών όσο και η πραγματοποίηση εργασιών που δεν συνιστώνται στις οδηγίες αυτές εγκυμονεί κίνδυνο τραυματισμού.

### Ελέγχετε εάν το εργαλείο σας έχει θλάδες

Πριν από τη χρήση, ελέγξτε προσεκτικά το εργαλείο για τυχόν ζημιές. Ελέγξτε για τυχόν κακή ευθυγράμμιση και εμπλοκή των κινούμενων μερών, για μέρη που έχουν σπάσει, για τυχόν ζημιές στους προφυλακτήρες και τους διακόπτες, και γενικά κάθε είδους συνθήκες οι οποίες ενδέχεται να επηρεάσουν τη λειτουργία του εργαλείου. Βεβαιωθείτε ότι το εργαλείο λειτουργεί κανονικά και χρησιμοποιείται για το σκοπό για τον οποίο προορίζεται. Μη χρησιμοποιείτε το εργαλείο αν κάποιο εξάρτημά του παρουσιάζει ελάττωμα. Μη χρησιμοποιείτε το εργαλείο, εάν ο διακόπτης δεν μπορεί να το θέσει εντός ή εκτός λειτουργίας. Φροντίστε για την επισκευή ή αντικατάσταση τυχόν ελαττωματικών εξαρτημάτων από εξουσιοδοτημένο κέντρο επισκευών. Ποτέ μην επιχειρήσετε να επισκευάσετε οι ίδιοι το εργαλείο.

### Αφαιρέστε τη μπαταρία

Αφαιρέστε τη μπαταρία όταν το εργαλείο δεν χρησιμοποιείται, προτού αλλάξετε οποιοδήποτε ανταλλακτικό, παρελκόμενο ή εξάρτημα του εργαλείου, και πριν από τη συντήρησή του.

### Αποφύγετε την τυχαία εκκίνηση του εργαλείου

Μη μεταφέρετε το εργαλείο έχοντας το δάκτυλό σας πάνω στο διακόπτη εκκίνησης. Βεβαιωθείτε ότι κατά την εισαγωγή της μπαταρίας, το εργαλείο είναι σβηστό.

### Μην κακομεταχειρίζεστε το καλώδιο

Ποτέ μη μεταφέρετε το φορτιστή κρατώντας τον από το καλώδιο και μην τον τραβάτε από το καλώδιο για να το βγάλετε από την πρίζα. Φροντίστε το καλώδιο να παραμένει μακριά από τη θερμότητα, τα λάδια και από αιχμηρές ακμές.

### Φυλάγετε τα εργαλεία σας σε ασφαλές μέρος

Όταν δεν χρησιμοποιούνται, τα εργαλεία, φορτιστές και οι μπαταρίες πρέπει να αποθηκεύονται σε ξηρό χώρο, μακριά από τα παιδιά.

### Συντηρήστε προσεκτικά τα εργαλεία

Φροντίστε τα εργαλεία σας να είναι κοφτερά και καθαρά, ώστε να προσφέρουν υψηλή απόδοση και ασφάλεια κατά τη χρήση τους.

Ακολουθήστε τις σχετικές οδηγίες σε ότι αφορά τη συντήρηση και την αλλαγή των εξαρτημάτων. Φροντίστε οι λαβές και οι διακόπτες να είναι στεγνοί, καθαροί και χωρίς λάδια ή γράσα.

### Επισκευές

Το εργαλείο αυτό συμμορφώνεται με τις σχετικές προϋποθέσεις ασφαλείας. Οι επισκευές θα πρέπει να γίνονται μόνο από ειδικευμένους τεχνικούς και με τη χρήση αποκλειστικά γνήσιων ανταλλακτικών, διαφορετικά υπάρχει το ενδεχόμενο σοβαρού κινδύνου για το χρήστη.

### Επιπρόσθετες οδηγίες ασφαλείας για μπαταρίες και φορτιστές

#### Μπαταρίες

- ♦ Μην επιχειρήσετε ποτέ να την ανοίξετε, για κανένα λόγο.
- ♦ Μην την εκθέτετε σε νερό.
- ♦ Μην την αποθηκεύετε σε χώρους όπου η θερμοκρασία μπορεί να υπερβεί τους 40 °C.
- ♦ Να τη φορτίζετε μόνο σε θερμοκρασία περιβάλλοντος μεταξύ 4 °C και 40 °C.
- ♦ Η φόρτιση πρέπει να γίνεται μόνο με το φορτιστή που συμπεριλαμβάνεται με το εργαλείο (βλ. τεχνικά χαρακτηριστικά).
- ♦ Πριν από τη φόρτιση, βεβαιωθείτε ότι η μπαταρία είναι στεγνή και καθαρή.
- ♦ Χρησιμοποιήστε μόνο το σωστό για το εργαλείο τύπο μπαταρίας (βλ. τεχνικά χαρακτηριστικά).
- ♦ Σε ότι αφορά την απόρριψη των μπαταριών, ακολουθήστε τις οδηγίες που παρατίθενται στην ενότητα "Περιβάλλον".
- ♦ Σε περίπτωση έκθεσης σε ακραίες συνθήκες, η μπαταρία ενδέχεται να παρουσιάσει διαρροή. Αν παρατηρήσετε υγρά στην μπαταρία, ενεργήστε ως ακολούθως:
  - Σκουπίστε προσεκτικά τα υγρά με ένα πανί. Αποφύγετε την επαφή με το δέρμα.
  - Σε περίπτωση επαφής με το δέρμα ή τα μάτια, ακολουθήστε τις παρακάτω οδηγίες.

**Προσοχή!** Το υγρό μπαταριών, ένα διάλυμα 25-30% υδροξειδίου του καλίου, μπορεί να είναι βλαβερό. Σε περίπτωση δερματικής επαφής, ξεπλύνετε αμέσως με νερό. Εξουδετερώστε με ήπιο οξύ όπως χυμός λεμονιού ή ξίδι. Σε περίπτωση επαφής με τα μάτια, ξεπλύνετε με άφθονο καθαρό νερό για 10 λεπτά τουλάχιστον. Συμβουλευτείτε γιατρό.



Κίνδυνος πυρκαϊάς! Αποφύγετε βραχυκύκλωμα με μέταλλο των επαφών της μπαταρίας (π.χ. κλειδιά που είναι στην ίδια τσέπη με την μπαταρία).



Μη καίτε την μπαταρία.



Μην φορτίζετε κατεστραμμένες μπαταρίες.

### Φορτιστές

- ♦ Χρησιμοποιήστε μόνο το φορτιστή της Black & Decker για τη φόρτιση μπαταριών του τύπου που συνοδεύει το εργαλείο σας. Σε άλλες μπαταρίες ενδέχεται να σημειωθεί διάρρηξη τους, προκαλώντας τραυματισμό και ζημιά.
- ♦ Μην επιχειρήσετε ποτέ να επαναφορτίσετε μη επαναφορτιζόμενες μπαταρίες.
- ♦ Αντικαταστήστε αμέσως τα ελαττωματικά καλώδια.
- ♦ Μην τον εκθέτετε σε νερό.
- ♦ Μην ανοίγετε το φορτιστή.
- ♦ Μη σκαλίζετε το φορτιστή.



Προορίζεται μόνο για χρήση σε κλειστούς χώρους.

### Ηλεκτρική ασφάλεια



Ο φορτιστής σας φέρει διπλή μόνωση. Κατά συνέπεια δε χρειάζεται καλώδιο γείωσης. Βεβαιωθείτε ότι η τάση του φορτιστή σας αντιστοιχεί με την τάση του δικτύου σας. Ποτέ μην επιχειρήσετε να υποκαταστήσετε το φορτιστή με κοινή πρίζα ρεύματος.

### Χαρακτηριστικά (εικ. Α)

Το εργαλείο περιλαμβάνει όλα ή ορισμένα από τα εξής χαρακτηριστικά:

1. Διακόπτη μεταβλητής ταχύτητας ή διακόπτη on/off δύο ταχυτήτων
2. Συρόμενο διακόπτη εμπρός / πίσω
3. Διακόπτη επιλογής λειτουργίας / κολάρο ρύθμισης ροπής
4. Τσοκ
5. Μπαταρία
6. Κουμπί απελευθέρωσης μπαταρίας
7. Φορτιστής
8. Βάση φόρτισης
9. Υποδοχή για φορτιστή
10. Βύσμα φορτιστή

### Συναρμολόγηση

#### Τοποθέτηση και αφαίρεση της μπαταρίας (εικ. Β)

- ♦ Για να τοποθετήσετε την μπαταρία (5), ευθυγραμμίστε την με την υποδοχή πάνω στο εργαλείο. Ολισθήστε την μπαταρία μέσα στην υποδοχή και σπρώξτε μέχρις ότου η μπαταρία κουμπώσει στη θέση της.
- ♦ Για να αφαιρέσετε τη μπαταρία, σπρώξτε μαζί και τα δύο κουμπιά απελευθέρωσης (6) ενώ ταυτόχρονα τραβάτε τη μπαταρία έξω από την υποδοχή.



### **Τοποθέτηση και αφαίρεση τρυπανιού ή μύτης κατασβιδιού (εικ. A & C)**

**Προσοχή!** Πρώτα αφαιρέστε τη μπαταρία από το εργαλείο.

Το εργαλείο αυτό διαθέτει τσοκ χωρίς κλειδί ώστε να διευκολύνεται η αλλαγή εξαρτημάτων.

- ♦ Ασφαλίστε το εργαλείο, θέτοντας το συρόμενο διακόπτη λειτουργίας εμπρός/ανάποδα (2) στη μεσαία θέση (εικ. A).
- ♦ Ανοίξτε το τσοκ, γυρίζοντας το μπροστινό μέρος του (11) με το ένα χέρι και κρατώντας ταυτόχρονα το πίσω μέρος (12) με το άλλο (εικ. C).
- ♦ Εισάγετε το στέλεχος της μύτης (13) μέσα στο τσοκ.
- ♦ Σφίξτε καλά το τσοκ, γυρίζοντας το μπροστινό μέρος του (11) με το ένα χέρι ενώ κρατάτε το πίσω μέρος (12) με το άλλο.

### **Αφαίρεση και επανατοποθέτηση του τσοκ (εικ. D)**

- ♦ Ανοίξτε το τσοκ όσο το δυνατόν περισσότερο.
- ♦ Αφαιρέστε τη βίδα συγκράτησης του τσοκ στρέφοντάς τη δεξιόστροφα με ένα κατασβίδι.
- ♦ Προσαρμόστε ένα κλειδί Allen (14) στο τσοκ και χτυπήστε το με ένα σφυρί, όπως φαίνεται στη φωτογραφία.
- ♦ Απομακρύνετε το κλειδί Allen.
- ♦ Αφαιρέστε το τσοκ στρέφοντάς το αριστερόστροφα.
- ♦ Για να επανατοποθετήσετε το τσοκ, βιδώστε το στον άξονα και ασφαλίστε το με τη βίδα συγκράτησης.

## **Χρήση**

### **Φόρτιση της μπαταρίας**

Η μπαταρία πρέπει να φορτιστεί πριν από την πρώτη χρήση της και σε κάθε περίπτωση που αδυνατεί να αποδώσει επαρκή ισχύ για εργασίες οι οποίες σε άλλη περίπτωση γίνονταν με ευχέρεια. Μία καινούρια μπαταρία, ή μία μπαταρία που δεν έχει χρησιμοποιηθεί για μεγάλο χρονικό διάστημα, επιτυγχάνει πλήρη απόδοση μόνο ύστερα από 5 περίπου κύκλους φόρτισης και εκφόρτισης. Η μπαταρία μπορεί να ζεσταθεί κατά τη φόρτισή της. Αυτό είναι φυσιολογικό και δεν είναι ενδεικτικό κάποιου προβλήματος.

**Προσοχή!** Μη φορτίζετε τη μπαταρία σε θερμοκρασίες περιβάλλοντος κάτω των 4 °C ή άνω των 40 °C. Συνιστώμενη θερμοκρασία φόρτισης: περίπου 24 °C.

### **Φορτιστής με βάση φόρτισης (εικ. E)**

- ♦ Για να φορτίσετε τη μπαταρία (5), αφαιρέστε την από το εργαλείο και τοποθετήστε την στη βάση φόρτισης (8). Η μπαταρία μπαίνει στη βάση φόρτισης κατά ένα τρόπο και μόνο. Μην ασκείτε πίεση. Βεβαιωθείτε ότι η μπαταρία έχει εφαρμόσει καλά στη βάση φόρτισης.
- ♦ Συνδέστε το φορτιστή με την πρίζα.

Μετά από κανονική χρήση, ο χρόνος φόρτισης των 3 ωρών είναι αρκετός για να παρέχει επαρκή ισχύ στις περισσότερες συσκευές. Ωστόσο, ο μεγαλύτερος χρόνος φόρτισης, έως και 6 ώρες, αυξάνει σημαντικά τον χρόνο χρήσης, ανάλογα τη μπαταρία και τις συνθήκες φόρτισης.

- ♦ Αφαιρέστε τη μπαταρία από το φορτιστή.

### **Φορτιστής χωρίς βάση φόρτισης (εικ. F)**

- ♦ Για να φορτίσετε τη μπαταρία, βεβαιωθείτε ότι είναι τοποθετημένη στο δράπανο.
- ♦ Εισαγάγετε το βύσμα του φορτιστή (10) στο ακροδέκτη σύνδεσης (9).
- ♦ Συνδέστε το φορτιστή με την πρίζα.

Μετά από κανονική χρήση, ο χρόνος φόρτισης των 3 ωρών είναι αρκετός για να παρέχει επαρκή ισχύ στις περισσότερες συσκευές. Ωστόσο, ο μεγαλύτερος χρόνος φόρτισης, έως και 6 ώρες, αυξάνει σημαντικά τον χρόνο χρήσης, ανάλογα τη μπαταρία και τις συνθήκες φόρτισης.

- ♦ Αφαιρέστε το εργαλείο από το φορτιστή.

**Προσοχή!** Μην χρησιμοποιείτε το εργαλείο όταν αυτό είναι συνδεδεμένο στο φορτιστή.

### **Επιλογή της κατεύθυνσης περιστροφής (εικ. A)**

Για διάτρηση και για τη σύσφιξη βιδών, χρησιμοποιείτε την περιστροφή προς τα εμπρός (δεξιόστροφη). Για το λύσιμο βιδών ή για να αφαιρέσετε τρυπάνι που έχει κολλήσει, χρησιμοποιείτε την ανάποδη περιστροφή (αριστερόστροφη).

- ♦ Για να επιλέξετε την περιστροφή προς τα εμπρός, πιέστε το συρόμενο διακόπτη λειτουργίας εμπρός/πίσω (2) προς τα αριστερά.
- ♦ Για να επιλέξετε την ανάποδη περιστροφή, πιέστε το συρόμενο διακόπτη λειτουργίας εμπρός/πίσω προς τα δεξιά.
- ♦ Για να ασφαλίσετε το εργαλείο, τοποθετήστε το συρόμενο διακόπτη εμπρός / πίσω στη μεσαία θέση.

### **Επιλογή της κατάστασης λειτουργίας ή της ροπής (εικ. G)**

Το εργαλείο αυτό διαθέτει κολάρο για την επιλογή της κατάστασης λειτουργίας και για τη ρύθμιση της ροπής για σύσφιξη βιδών. Οι μεγάλες βίδες και τα τεμάχια σκληρού υλικού, απαιτούν υψηλότερη ρύθμιση ροπής σε σύγκριση με τις μικρές βίδες και τα τεμάχια μαλακού υλικού. Το κολάρο αυτό προσφέρει μία μεγάλη κλίμακα ρυθμίσεων ανάλογα με την εφαρμογή σας.

- ♦ Για διάτρηση σε ξύλο, μέταλλο και πλαστικά, θέστε το κολάρο (3) στη θέση διάτρησης ευθυγραμμίζοντας το σύμβολο /drillsymb/ με την ένδειξη (15).
- ♦ Για λειτουργία κατασβιδιού, θέστε το κολάρο στην επιθυμητή θέση. Αν δεν γνωρίζετε ακόμη την κατάλληλη θέση που πρέπει να επιλεγεί, ενεργήστε ως ακολούθως:

- ♦ Ρυθμίστε το κολάρο (3) στη ρύθμιση της χαμηλότερης ροπής.
- ♦ Σφίξτε την πρώτη βίδα.
- ♦ Αν ο συμπλέκτης σταματήσει πριν επιτευχθεί το επιθυμητό αποτέλεσμα, αυξήστε τη ρύθμιση στο κολάρο και συνεχίστε να σφίγγετε τη βίδα. Επαναλάβετε τη διαδικασία αυτή μέχρι να επιτύχετε την κατάλληλη ρύθμιση. Με τη ρύθμιση αυτή, βιδώστε τις υπόλοιπες βίδες.

### Εναρξη και παύση της λειτουργίας

#### Διακόπτης μεταβλητής ταχύτητας

- ♦ Για να θέσετε σε λειτουργία το εργαλείο, πατήστε το διακόπτη ρυθμιζόμενης ταχύτητας (1). Η ταχύτητα του εργαλείου εξαρτάται από το βαθμό που θα πατήσετε το διακόπτη.
- ♦ Για να σβήσετε το εργαλείο, απελευθερώστε το διακόπτη ρυθμιζόμενης ταχύτητας.

#### Διακόπτης On/off δύο ταχυτήτων

- ♦ Για να θέσετε σε λειτουργία το εργαλείο, πατήστε το διακόπτη on/off (1). Όταν πατάτε ελαφρά τον διακόπτη, το εργαλείο λειτουργεί σε χαμηλή ταχύτητα. Όταν πατάτε πιο δυνατά τον διακόπτη, το εργαλείο λειτουργεί σε υψηλή ταχύτητα.
- ♦ Για να σβήσετε το εργαλείο, απελευθερώστε το διακόπτη ρυθμιζόμενης ταχύτητας.

### Συμβουλές για άριστη χρήση

#### Διάτρηση

- ♦ Να ασκείτε πάντα μια ελαφρά πίεση στην ίδια ευθεία με το τρυπάνι.
- ♦ Μόλις το τρυπάνι βγει από την άλλη πλευρά του τεμαχίου εργασίας, ελαττώστε την ασκούμενη πίεση στο εργαλείο.
- ♦ Χρησιμοποιήστε ένα κομμάτι ξύλο για να στηρίξετε τα τεμάχια εργασίας, των οποίων το υλικό ενδέχεται να εμφανίσει ρωγμές κατά το τρύπημα.
- ♦ Για τη διάτρηση οπών μεγάλης διαμέτρου σε ξύλο, χρησιμοποιήστε τρυπάνι διχαλωτής μορφής.
- ♦ Για τη διάτρηση σε μέταλλο, χρησιμοποιήστε τρυπάνια ταχυχάλυβα (HSS).
- ♦ Χρησιμοποιήστε λιπαντικό κατά τη διάτρηση άλλου μετάλλου εκτός από χυτοσίδηρο και ορείχαλκο.
- ♦ Δημιουργήστε μια μικρή εγκοπή με μία πόντα στο κέντρο της οπής που θα τρυπηθεί, προκειμένου να τρυπήσετε με μεγαλύτερη ακρίβεια.

#### Βίδωμα

- ♦ Να χρησιμοποιείτε πάντα τον κατάλληλο τύπο και μέγεθος μύτης κατσαβιδιού.

- ♦ Αν το σφίξιμο των βιδών παρουσιάζει δυσκολία, απλώστε μικρή ποσότητα υγρού απορρυπαντικού ή σαπουνιού σαν λιπαντικό.
- ♦ Το εργαλείο και η μύτη του κατσαβιδιού πρέπει να κρατούνται πάντα στην ίδια ευθεία με τη βίδα.

### Συντήρηση

Αυτό το εργαλείο της Black & Decker έχει σχεδιαστεί έτσι ώστε να λειτουργεί για μεγάλο χρονικό διάστημα με την ελάχιστη δυνατή φροντίδα. Η αδιάλειπτη και κανονική λειτουργία του εξαρτάται από τη φροντίδα του εργαλείου και τον τακτικό καθαρισμό του.

Ο φορτιστής σας δεν απαιτεί καμία συντήρηση εκτός από τον τακτικό καθαρισμό του.

**Προσοχή!** Πριν εκτελέσετε οποιαδήποτε εργασία συντήρησης στο εργαλείο, αφαιρέστε τη μπαταρία από το εργαλείο. Βγάλτε το φορτιστή από την πρίζα πριν τον καθαρίσετε.

- ♦ Να καθαρίζετε τακτικά τις υποδοχές εξαερισμού στο εργαλείο σας χρησιμοποιώντας μαλακή βούρτσα ή στεγνό πανί.
- ♦ Να καθαρίζετε τακτικά το περιβλήμα της μηχανής χρησιμοποιώντας ένα βρεγμένο πανί. Μη χρησιμοποιείτε σπλινθωτικά ή υγρά καθαρισμού που περιέχουν διαλυτικές ουσίες.
- ♦ Να ανοίγετε τακτικά το τσοκ και να το αδειάζετε, προκειμένου να αφαιρείται η σκόνη από το εσωτερικό του.

### Προστασία του περιβάλλοντος

#### Εργαλεία



Η Black & Decker δίνει τη δυνατότητα ανακύκλωσης των προϊόντων και των επαναφορτιζόμενων μπαταριών της που έχουν συμπληρώσει τη διάρκεια ζωής τους. Η υπηρεσία αυτή είναι δωρεάν. Αν θέλετε να χρησιμοποιήσετε την εν λόγω υπηρεσία, επιστρέψτε το προϊόν σας σε οποιοδήποτε εξουσιοδοτημένο κέντρο επισκευών, όπου θα το παραλάβουν εκ μέρους σας.

#### Μπαταρίες



Οι μπαταρίες Black & Decker μπορούν να επαναφορτιστούν πολλές φορές. Όταν πλέον δεν μπορούν να ξαναχρησιμοποιηθούν, απορρίψτε τις με τρόπο κατάλληλο για το περιβάλλον:

- ♦ Εξαντλήστε πλήρως τη μπαταρία και μετά αφαιρέστε την από το εργαλείο.

- ♦ Οι μπαταρίες NiCd και NiMH είναι ανακυκλώσιμες. Στείλτε τες σε κάποιο εξουσιοδοτημένο κέντρο επισκευών ή στον τοπικό σας σταθμό ανακύκλωσης.

Ενημερωθείτε για το πλησιέστερο κέντρο επισκευών της περιοχής σας, επικοινωνώντας με τα γραφεία της Black & Decker στη διεύθυνση που αναγράφεται στο εγχειρίδιο. Επίσης, για να πληροφορηθείτε τα εξουσιοδοτημένα κέντρα επισκευών της Black & Decker και τις λεπτομέρειες και τους αρμόδιους των υπηρεσιών που παρέχονται μετά την πώληση, μπορείτε να ανατρέξετε στο Διαδίκτυο στη διεύθυνση: [www.2helpU.com](http://www.2helpU.com).

### Τεχνικά χαρακτηριστικά

		KC96	AST2 KC12
Τάση	$V_{DC}$	9,6	12
Ταχύτητα άφορτου κίνησης	$min^{-1}$	\$	0 - 700
Μέγιστη ροπή	Nm	\$	9,3
Απόδοση τσοκ	mm	10	10
Μέγιστη δυναμικότητα διάτρησης σε χάλυβα/ξύλο	mm	\$/ \$	\$/ \$

		AST12	KC14
Τάση	$V_{DC}$	12	14,4
Ταχύτητα άφορτου κίνησης	$min^{-1}$	350/700	0 - 700
Μέγιστη ροπή	Nm	9,3	9,4
Απόδοση τσοκ	mm	10	10
Μέγιστη δυναμικότητα διάτρησης σε χάλυβα/ξύλο	mm	\$/ \$	\$/ \$

Μπαταρία		A9242	A9252	A9262
Τάση	$V_{DC}$	9,6	12	14,4
Χωρητικότητα	Ah		1,3	1,3 1,3

### Φορτιστής

Τάση δικτύου	$V_{AC}$	230
Χρόνος φόρτισης κατά προσέγγιση	h	3

### Δήλωση συμμόρφωσης ΕΚ

Black & Decker δηλώνει ότι αυτά τα ηλεκτρικά εργαλεία σχεδιάστηκαν σύμφωνα με:

EN 50260, EN 55014, EN 60335, EN 61000

$L_{DA}$  (ηχητική πίεση): 70 dB(A),  $L_{WA}$  (ακουστική δύναμη) 83 dB(A), σταθμισμένος τετραγωνικός μέσος όρος επιτάχυνσης < 2.5 m/s<sup>2</sup>



Colin Wills  
Director of Engineering  
BDCI, 4/F, 2 Dai Wang Street  
Tai Po Industrial Estate  
Tai Po NT, Hong Kong

### Εγγύηση

Η Black & Decker είναι σίγουρη για την ποιότητα των προϊόντων της και παρέχει σημαντική εγγύηση. Η παρούσα γραπτή εγγύηση αποτελεί πρόσθετο δικαίωμά σας και δεν ζημιώνει τα συνταγματικά σας δικαιώματα. Η εγγύηση ισχύει εντός της επικράτειας των Κρατών Μελών της Ευρωπαϊκής Ένωσης και της Ευρωπαϊκής Ζώνης Ελευθέρων Συναλλαγών.

Σε περίπτωση που κάποιο προϊόν της Black & Decker παρουσιάσει βλάβη εξαιτίας ελαττωματικών υλικών, ποιότητας εργασίας ή έλλειψης συμφωνίας με τις προδιαγραφές εντός 24 μηνών από την ημερομηνία αγοράς, η Black & Decker εγγυάται την αντικατάσταση των ελαττωματικών τμημάτων, την επισκευή προϊόντων που έχουν υποστεί εύλογη φθορά λόγω χρήσης ή την αντικατάσταση των προϊόντων προκειμένου να εξασφαλίσει την ελάχιστη ενόχληση στους πελάτες της, εκτός αν:

- ♦ Το προϊόν έχει χρησιμοποιηθεί σε εργασιακό, επαγγελματικό περιβάλλον ή αν έχει νοικιαστεί
- ♦ Έχει γίνει εσφαλμένη χρήση του προϊόντος ή αν έχει παραμεληθεί
- ♦ Το προϊόν έχει υποστεί βλάβη από άλλα αντικείμενα, από ουσίες ή λόγω ατυχήματος
- ♦ Έχει γίνει προσπάθεια επισκευής από μη εξουσιοδοτημένα κέντρα επισκευών ή από προσωπικό που δεν ανήκει στο προσωπικό της Black & Decker

Για να ισχύσει η εγγύηση, πρέπει να υποβάλετε απόδειξη αγοράς στον πωλητή ή το εξουσιοδοτημένο κέντρο επισκευών. Ενημερωθείτε για το πλησιέστερο κέντρο επισκευών της περιοχής σας, επικοινωνώντας με τα γραφεία της Black & Decker στη διεύθυνση που αναγράφεται στο εγχειρίδιο. Επίσης, για να πληροφορηθείτε για τα εξουσιοδοτημένα κέντρα επισκευών της Black & Decker, τις λεπτομέρειες και τους αρμόδιους των υπηρεσιών που παρέχονται μετά την πώληση, μπορείτε να ανατρέξετε στο Διαδίκτυο στη διεύθυνση: [www.2helpU.com](http://www.2helpU.com).





<b>Australia</b>	DeWALT Industrial Power Tool Company 7 Clarice Road, Box Hill, Victoria 3128	Tel. 03 9895 9200 Fax 03 9899 7465
<b>Belgique/België</b>	Black & Decker (Belgium) N.V. Weihoek 1, 1930 Zaventem	Tel. 02/719.07.11 Fax 02/719.08.10
<b>Danmark</b>	Black & Decker Hejrevang 26B, 3450 Allerød Internet: www.blackdecker.dk	Tel. 70 20 15 10 Fax 48 14 13 99
<b>Deutschland</b>	Black & Decker GmbH Black & Decker Str. 40, D - 65510 Idstein	Tel. 06126/21 24 83 Fax 06126/21 26 01
<b>Ελλάς</b>	Black & Decker (Ελλάς) A.E. Στράβωνος 7 & Βουλιαγμένης 159 Γλυφάδα 16674, Ελλάδα	Τηλ. (01) 8981-616 Φαξ (01) 8983-570 Service (01) 8982-630
<b>España</b>	Black & Decker Spain Parque de Negocios "Mas Blau" Edificio Muntadas, c/Bergadá, 1, Of. A6 08820 El Prat de Llobregat (Barcelona)	Tel. 934 797 400 Fax 934 797 419
<b>France</b>	Black & Decker (France) S.A.S. B.P. 21, 69571 Dardilly Cédex	Tel. 04 72 20 39 20 Fax 04 72 20 39 00
<b>Helvetia</b>	ROFO AG Gewerbezone Seeblick Kleinbödingen	Tel. 026-6749391 Fax 026-6749394
<b>Italia</b>	Black & Decker Italia SpA Viale Elvezia 2 20052 Monza (MI)	Tel. 039-23871 Fax 039-2387592/2387594 Numero verde 800-213935
<b>Nederland</b>	Black & Decker (Nederland) BV Florijnstraat 10, 4879 AH Etten-Leur	Tel. 076-5082000 Fax 076-5038184
<b>New Zealand</b>	Black & Decker 81 Hugo Johnson Drive Penrose, Auckland, New Zealand	Tel. 09 579 7600 Fax 09 579 8200
<b>Norge</b>	Black & Decker (Norge) A/S Postboks 248, Leirdal, 1011 Oslo Internet: www.blackdecker.no	Tlf. 22 90 99 00 Fax 22 90 99 01
<b>Österreich</b>	Black & Decker Vertriebsges.m.b.H Erlaaerstraße 165, 1231 Wien	Tel. 01 66116-0 Fax 01 66116-14
<b>Portugal</b>	Black & Decker Rua Egas Moniz 173, 2766-651 S. João do Estoril	Tel. 214667500 Fax 214667575
<b>South Africa</b>	Black & Decker South Africa (Pty) Ltd Physical address: 39 Commerce Crescent Eastgate, ext. 12, Sandton, Kramerville 2148 Postal address: Postnet Suite 107, Private Bag X65 Halfway House 1685	Tel. (011) 653-1400 Fax (011) 653-1499
<b>Suomi</b>	Black & Decker Oy Palotie 3, 01610 Vantaa Black & Decker Oy, Brandvägen 3, 01610 Vanda	Puh: (09) 825 4540 Fax: (09) 825 45 444 Tel: (09) 825 4540 Fax: (09) 825 45 444
<b>Sverige</b>	Black & Decker AB Box 603, 421 26 Västra Frölunda, Besöksadr. Ekonomivägen 11	Tel: 031-68 60 00 Fax: 031-68 60 08
<b>Türkiye</b>	Black & Decker Merkez Servis Dudullu Cad. Kerembey Sok. No. 1 Küçükbakkalköy/Istanbul	Tel. 0216 455 89 73 Faks 0216 455 20 52
<b>United Kingdom</b>	Black & Decker 210 Bath Road Slough, Berkshire SL1 3YD	Tel. 01753 511234 Fax 01753 551155 Helpline 01753 574277

Dealer address  
Händleradresse  
Cachet du revendeur  
Indirizzo del rivenditore  
Adres van de dealer  
Dirección del detallista  
Morada do revendedor  
Återförsäljarens adress  
Forhandlerens adresse  
Forhandler adresse  
Jälleenmyyjän osoite  
**Διεύθυνση αντιπροσώπου**

Date of purchase  
Kaufdatum  
Date d'achat  
Data d'acquisto  
Aankoopdatum  
Fecha de compra  
Data de compra  
Inköpsdatum  
Innkjøpsdato  
Indkøbsdato  
Ostopäivä  
**Ημερομηνία αγοράς**

◆ Name ◆ Name ◆ Nom ◆ Nome  
◆ Naam ◆ Nombre ◆ Nome ◆ Namin  
◆ Navn ◆ Navn ◆ Nimi ◆ Oνομα:

◆ Address ◆ Adresse ◆ Adresse ◆ Indirizzo ◆  
Adres ◆ Dirección ◆ Morada ◆ Address ◆  
Adresse ◆ Adresse ◆ Osoite ◆ Διεύθυνση:

◆ Town ◆ Ort ◆ Ville ◆ Città ◆ Plaats  
◆ Ciudad ◆ Localidade ◆ Ort ◆ By ◆ By  
◆ Paikkakunta ◆ Πόλη:

◆ Postal code ◆ Postleitzahl ◆ Code postal ◆  
Codice postale ◆ Postcode  
◆ Código ◆ Código postal ◆ Postnr.  
◆ Postnr. ◆ Postnr. ◆ Postnumero  
◆ Κωδικός

◆ Is this tool a gift? ◆ Ist dieses Gerät ein  
Geschenk? ◆ S'agit-il d'un cadeau? ◆ Si tratta  
di un regalo? ◆ Kreeg u de machine als cadeau?  
◆ ¿Ha recibido usted esta herramienta como  
regalo? ◆ Recebeu esta ferramenta como  
presente? ◆ Är verktyget en gåva?  
◆ Er verkøyet en gave? ◆ Er verkøjet en gave?  
◆ Onko kone lahja?  
◆ Το εργαλείο είναι δώρο?

Yes ◆ Ja ◆ Oui ◆ Si ◆ Ja ◆ Si  
 Sim ◆ Ja ◆ Ja ◆ Ja ◆ Kyllä ◆ Nai

No ◆ Nein ◆ Non ◆ No ◆ Nee  
 No ◆ Não ◆ Nej ◆ Nei ◆ Nej  
 Ei ◆ Oxi

◆ Is this tool your first purchase? ◆ Ist dieses  
Gerät ein Erstkauf? ◆ Est-ce un 1er achat? ◆ Is  
Questo prodotto è il suo primo acquisto? ◆ Is  
deze machine uw eerste aankoop? ◆ ¿Es esta  
herramienta la primera de este tipo?  
◆ Esta ferramenta é a sua primeira compra? ◆  
Ar detta ditt första B&D-verktyg? ◆ Er dette ditt  
første B&D verktyg? ◆ Er dette dit første B&D  
verktøj? ◆ Onko tämä ensimmäinen B&D-

koneesi? ◆ Είναι το εργαλείο αυτό η  
πρώτη σας αγορά?

Yes ◆ Ja ◆ Oui ◆ Si ◆ Ja ◆ Si  
 Sim ◆ Ja ◆ Ja ◆ Ja ◆ Kyllä ◆ Nai

No ◆ Nein ◆ Non ◆ No ◆ Nee  
 No ◆ Não ◆ Nej ◆ Nei ◆ Nej  
 Ei ◆ Oxi

◆ Dealer address ◆ Händleradresse  
◆ Cachet du revendeur ◆ Indirizzo del  
rivenditore ◆ Adres van de dealer  
◆ Dirección del detallista ◆ Morada do  
revendedor ◆ Återförsäljarens adress  
◆ Forhandlerens adresse ◆ Forhandler adresse  
◆ Jälleenmyyjän osoite  
◆ Διεύθυνση αντιπροσώπου

Cat. no.:



- ◆ GUARANTEE CARD**
- ◆ GARANTIEKART**
- ◆ GARANTI KORT**
- ◆ GARANTIEKARTE**
- ◆ TARJETA DE GARANTÍA**
- ◆ GARANTI KORT**
- ◆ CARTE DE GARANTIE**
- ◆ CARTÃO DE GARANTIA**
- ◆ TAKUUKORITTI**
- ◆ TAGLIANDO DI GARANZIA**
- ◆ GARANTIBEVIS**
- ◆ KAPTA EFTYHSHZ**



<b>English</b>	Please complete this section immediately after the purchase of your tool and send it to Black & Decker in your country. If you live in Australia or New Zealand, please register by using the alternative guarantee card supplied.	
<b>Deutsch</b>	Bitte schneiden Sie diesen Abschnitt ab, stecken ihn in einen frankierten Umschlag und schicken ihn an die Black & Decker Adresse Ihres Landes.	<b>Svenska</b>
<b>Français</b>	Découpez cette partie et envoyez-la sous enveloppe timbrée à l'adresse de Black & Decker dans votre pays, ceci immédiatement après votre achat.	<b>Norsk</b>
<b>Italiano</b>	Per favore ritagliate questa parte, inseritela in una busta con francobollo e spedite-la subito dopo l'acquisto del prodotto all'indirizzo della Black & Decker nella vostra nazione.	<b>Dansk</b>
<b>Nederlands</b>	Knip dit gedeelte uit en zend het direct na aankoop in een ge frankeerde, geadresseerde envelop naar het adres van Black & Decker in uw land.	<b>Suomi</b>
<b>Español</b>	Después de haber comprado su herramienta envíe usted, por favor, esta tarjeta a la central de Black & Decker en su país.	<b>Ελληνικά</b>
		<b>Português</b>
		Por favor, recorte esta parte, coloque-a num envelope selado e endereçado e envie-o logo após a compra do seu produto para o endereço da Black & Decker do seu país.
		Var vänlig klipp ur denna del och sänd den i ett frankerat kuvert till Black & Deckers adress i Ditt land.
		Vennligst klipp ut denne delen umiddelbart etter du har pakket ut ditt produkt og legg det i en adressert konvolutt til Black & Decker (Norge) A/S.
		Venligst klip denne del ud og send frankeret til Black & Decker i dit land.
		Leikkaa irti tämä osa, laita se kuoreen ja postita kuori paikalliseen Black & Decker osoitteeseen.
		Παράκαλώ κόψτε αυτό το κομμάτι και ταχυδρομήσατε το αμέσως μετά την αγορά του προϊόντος σας στην διεύθυνση της Black & Decker στην Ελλάδα.