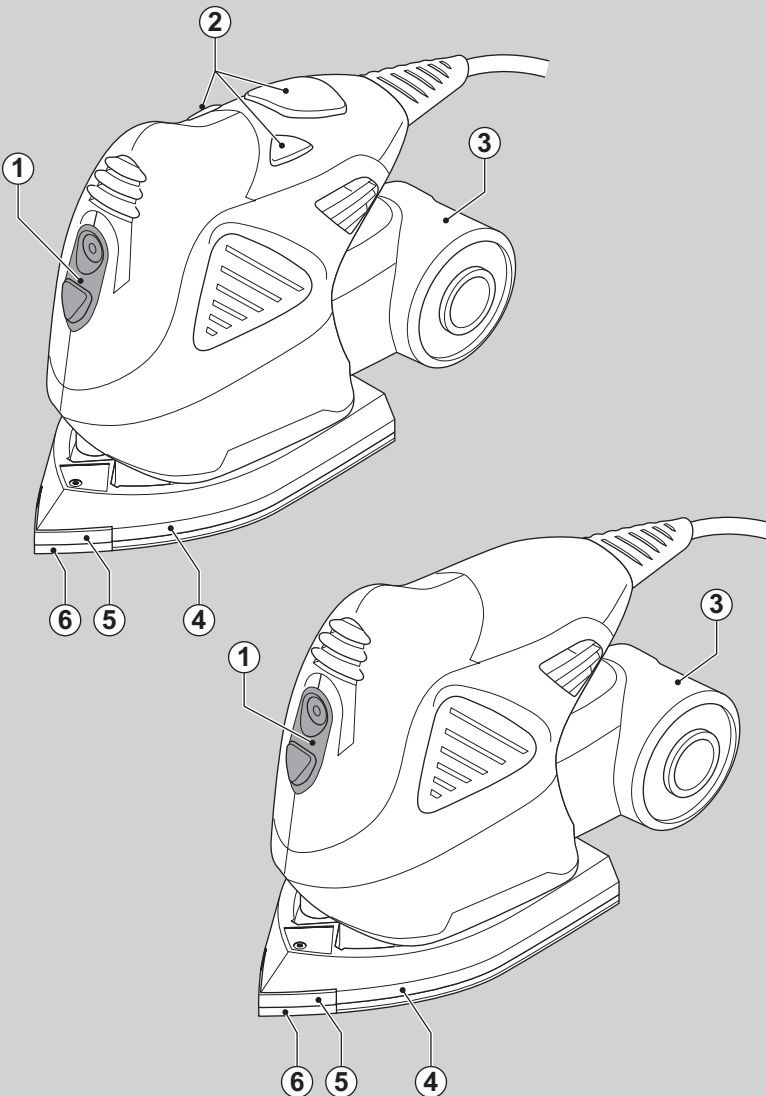


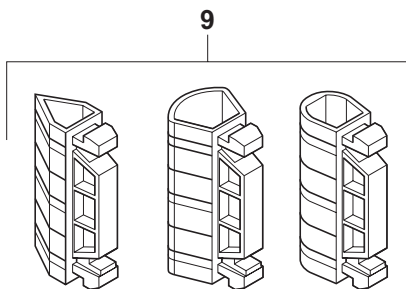
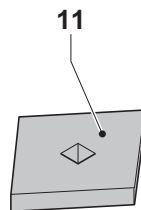
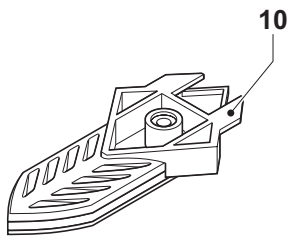
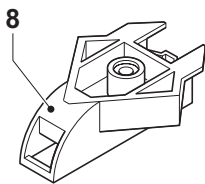
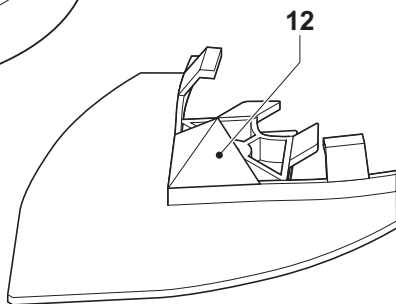
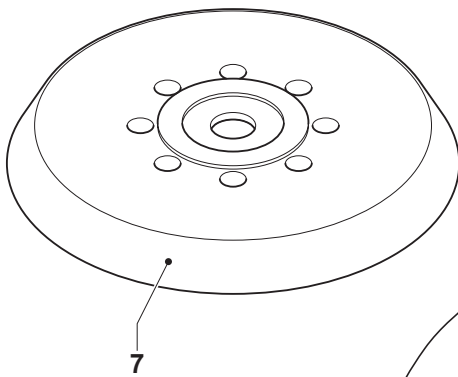


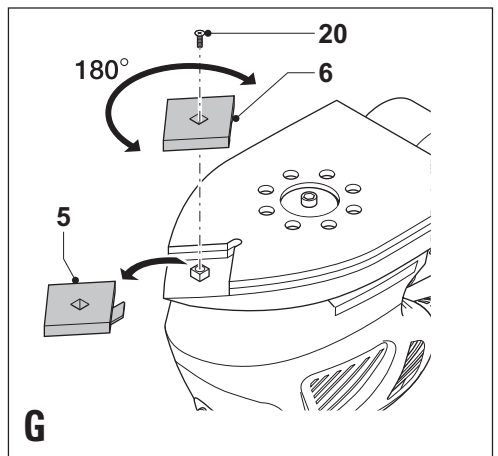
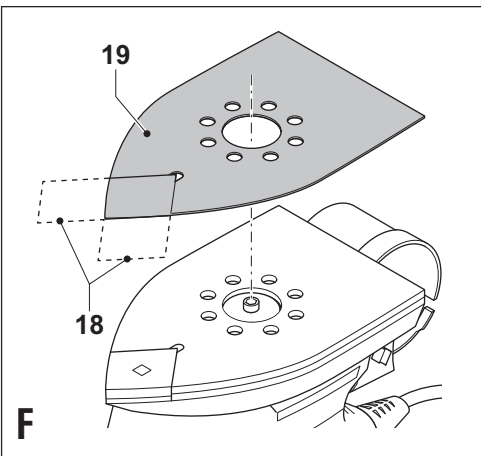
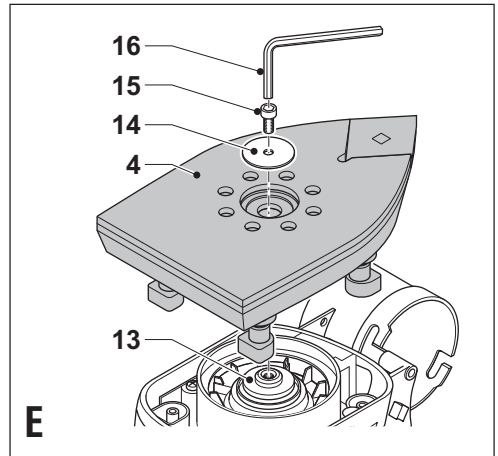
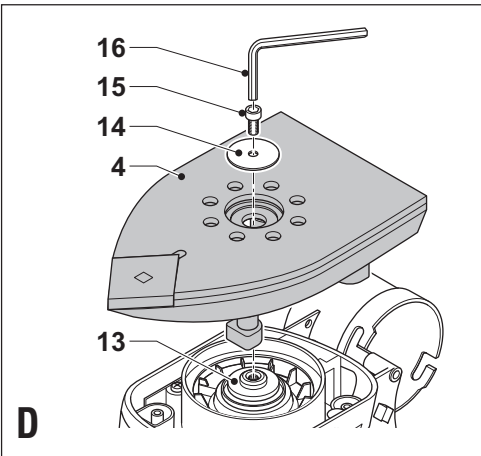
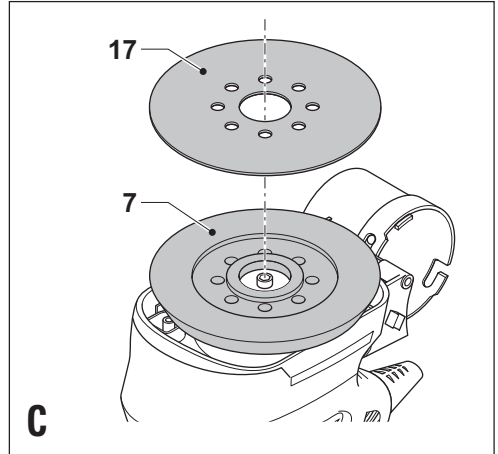
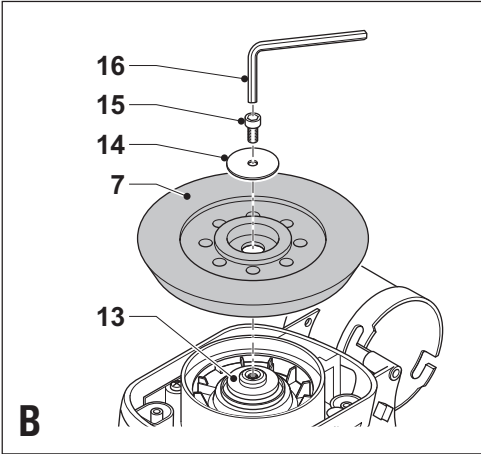
# BLACK & DECKER®

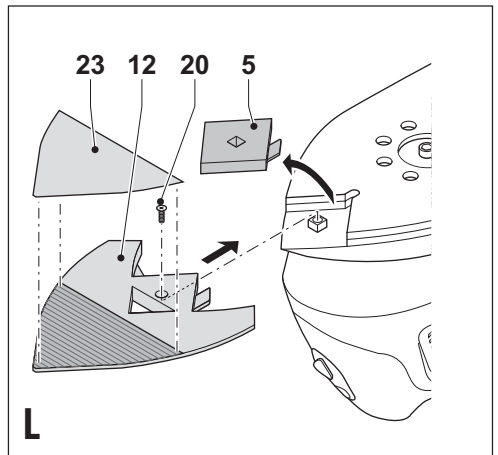
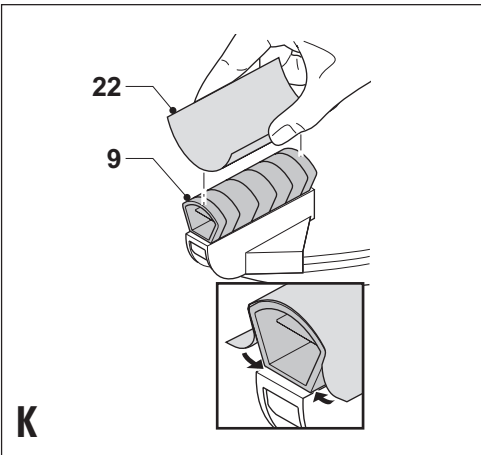
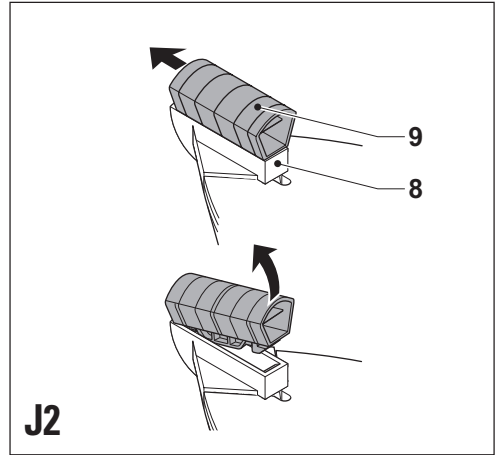
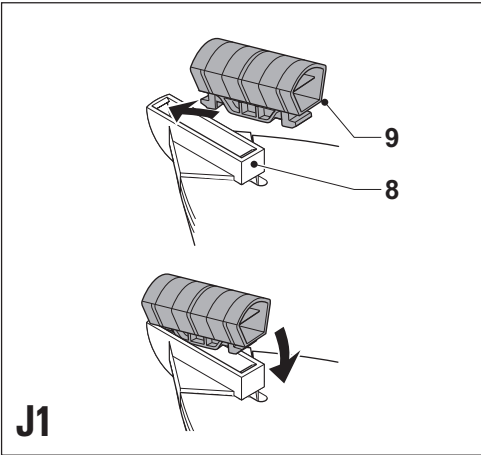
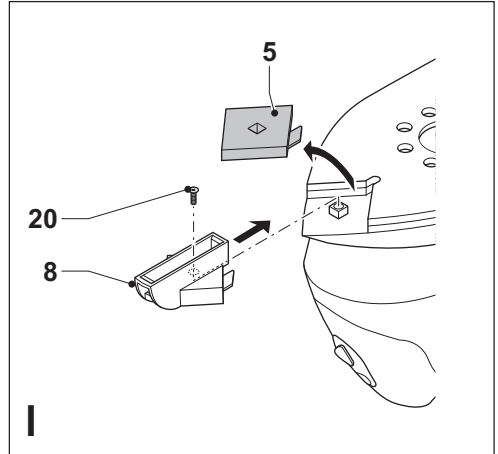
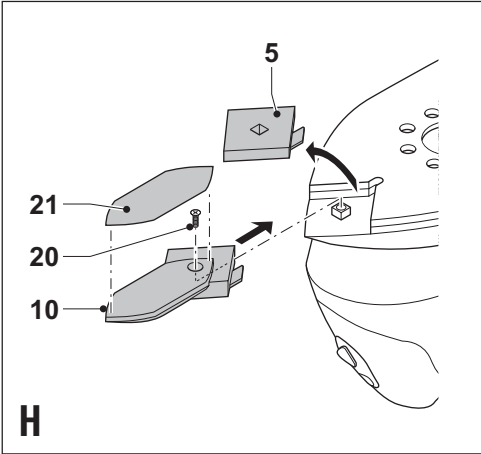
www.blackanddecker.com

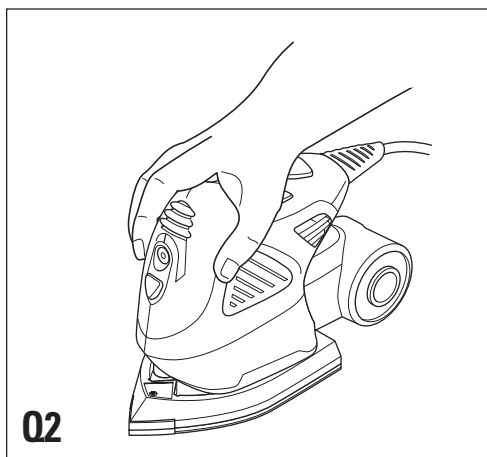
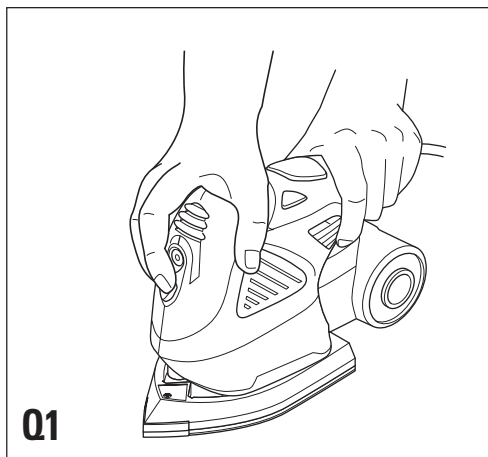
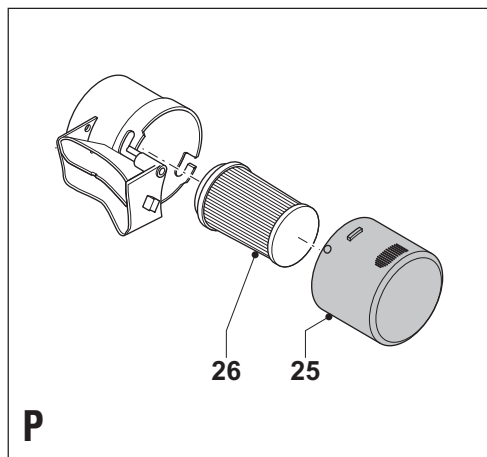
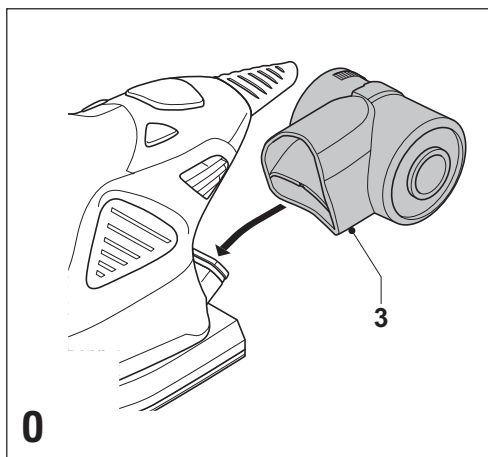
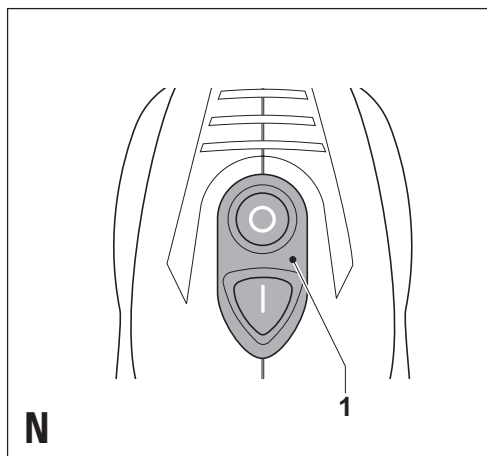
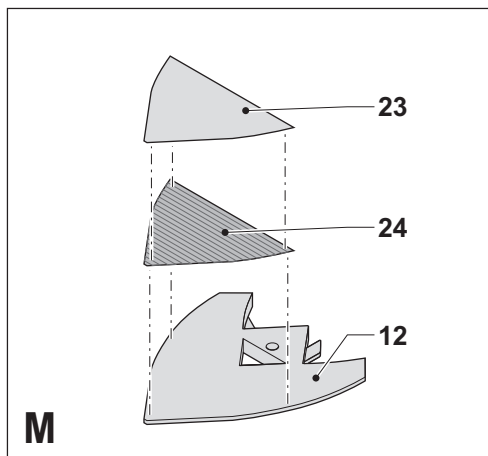


English	6
Deutsch	11
Français	16
Italiano	21
Nederlands	26
Español	31
Português	37
Svenska	42
Norsk	46
Dansk	52
Suomi	57
Ελληνικά	62









## Intended use

Your Black & Decker sander has been designed for sanding wood, metal, plastics and painted surfaces. This tool is intended for consumer use only.

## General safety rules

**Warning!** Read all instructions. Failure to follow all instructions listed below may result in electric shock, fire and/or serious injury. The term “power tool” in all of the warnings listed below refers to your mains operated (corded) power tool or battery operated (cordless) power tool.

SAVE THESE INSTRUCTIONS.

### 1. Work area

- a. **Keep work area clean and well lit.** Cluttered and dark areas invite accidents.
- b. **Do not operate power tools in explosive atmospheres, such as in the presence of flammable liquids, gases or dust.** Power tools create sparks which may ignite the dust or fumes.
- c. **Keep children and bystanders away while operating a power tool.** Distractions can cause you to lose control.

### 2. Electrical safety

- a. **Power tool plugs must match the outlet. Never modify the plug in any way. Do not use any adapter plugs with earthed (grounded) power tools.** Unmodified plugs and matching outlets will reduce risk of electric shock.
- b. **Avoid body contact with earthed or grounded surfaces such as pipes, radiators, ranges and refrigerators.** There is an increased risk of electric shock if your body is earthed or grounded.
- c. **Do not expose power tools to rain or wet conditions.** Water entering a power tool will increase the risk of electric shock.
- d. **Do not abuse the cord. Never use the cord for carrying, pulling or unplugging the power tool. Keep cord away from heat, oil, sharp edges or moving parts.** Damaged or entangled cords increase the risk of electric shock.
- e. **When operating a power tool outdoors, use an extension cord suitable for outdoor use.** Use of a cord suitable for outdoor use reduces the risk of electric shock.

### 3. Personal safety

- a. **Stay alert, watch what you are doing and use common sense when operating a power tool. Do not use a power tool while you are tired or under the influence of drugs, alcohol or medication.** A moment of inattention while operating power tools may result in serious personal injury.

### b. Use safety equipment. Always wear eye protection.

Safety equipment such as dust mask, non-skid safety shoes, hard hat, or hearing protection used for appropriate conditions will reduce personal injuries.

- c. **Avoid accidental starting. Ensure the switch is in the off position before plugging in.** Carrying power tools with your finger on the switch or plugging in power tools that have the switch on invites accidents.
- d. **Remove any adjusting key or wrench before turning the power tool on.** A wrench or a key left attached to a rotating part of the power tool may result in personal injury.
- e. **Do not overreach. Keep proper footing and balance at all times.** This enables better control of the power tool in unexpected situations.
- f. **Dress properly. Do not wear loose clothing or jewellery. Keep your hair, clothing and gloves away from moving parts.** Loose clothes, jewellery or long hair can be caught in moving parts.
- g. **If devices are provided for the connection of dust extraction and collection facilities, ensure these are connected and properly used.** Use of these devices can reduce dust related hazards.

### 4. Power tool use and care

- a. **Do not force the power tool. Use the correct power tool for your application.** The correct power tool will do the job better and safer at the rate for which it was designed.
- b. **Do not use the power tool if the switch does not turn it on and off.** Any power tool that cannot be controlled with the switch is dangerous and must be repaired.
- c. **Disconnect the plug from the power source before making any adjustments, changing accessories, or storing power tools.** Such preventive safety measures reduce the risk of starting the power tool accidentally.
- d. **Store idle power tools out of the reach of children and do not allow persons unfamiliar with the power tool or these instructions to operate the power tool.** Power tools are dangerous in the hands of untrained users.
- e. **Maintain power tools. Check for misalignment or binding of moving parts, breakage of parts and any other condition that may affect the power tools operation. If damaged, have the power tool repaired before use.** Many accidents are caused by poorly maintained power tools.
- f. **Keep cutting tools sharp and clean.** Properly maintained cutting tools with sharp cutting edges are less likely to bind and are easier to control.

- g. Use the power tool, accessories and tool bits etc., in accordance with these instructions and in the manner intended for the particular type of power tool, taking into account the working conditions and the work to be performed.** Use of the power tool for operations different from those intended could result in a hazardous situation.

## 5. Service

- a. Have your power tool serviced by a qualified repair person using only identical replacement parts.** This will ensure that the safety of the power tool is maintained.

### Additional safety instructions for sanders

- ◆ Always wear a dust mask whenever sanding.
- ◆ Thoroughly remove all dust after sanding.
- ◆ Take special care when sanding paint which is possibly lead based or when sanding some woods and metal which may produce toxic dust:
  - Wear a dust mask specifically designed for protection against lead paint dust and fumes and ensure that persons within or entering the work area are also protected.
  - Do not let children or pregnant women enter the work area.
  - Do not eat, drink or smoke in the work area.
  - Dispose of dust particles and any other debris safely.
- ◆ Before using the tool on wooden workpieces, make sure to fit the dust cassette.
- ◆ Before using the tool on metal workpieces, make sure to remove the dust cassette.
- ◆ Never use the tool without a sanding sheet.
- ◆ Never use the tool without a sanding base.
- ◆ This appliance is not intended for use by young or infirm persons without supervision. Children must be supervised to ensure they do not play with the appliance.
- ◆ If the supply cord is damaged, it must be replaced by the manufacturer or an authorised Black & Decker Service Centre in order to avoid a hazard.

### Electrical safety



This tool is double insulated; therefore no earth wire is required. Always check that the power supply corresponds to the voltage on the rating plate.

### Features

This tool includes some or all of the following features.

1. On/off switch
2. Gel comfort grip (KA270GT(K) only)
3. Dust cassette

4. Large detail sanding base
5. Tip holder
6. Sanding base tip

### Fig. A

7. Random orbit sanding base
8. Profile attachment (KA270(GT)K only)
9. Sanding profiles (KA270(GT)K only)
10. Detail finger attachment (KA270(GT)K only)
11. Spare sanding base tip (KA270(GT)K only)
12. Louvre attachment (KA270LDK only)

### Assembly

**Warning!** Before assembly, make sure that the tool is switched off and unplugged.

#### Random orbit sanding base

With this sanding base, you can use the tool as a random orbit sander.

#### Fitting and removing the sanding base (fig. B)

- ◆ Place the sanding base (7) onto the spindle (13).
- ◆ Place the washer (14) onto the spindle.
- ◆ Insert the Allen screw (15) into the screw hole in the spindle.
- ◆ Tighten the Allen screw using the Allen key (16) supplied.
- ◆ To remove the sanding base, remove the Allen screw (15) and washer (14).

#### Fitting sanding sheets (fig. C)

- ◆ Hold the tool with the sanding base (7) facing upwards.
- ◆ Place the sanding sheet (17) onto the sanding base (7). The holes in the sheet do not need to line up with the holes in the base.

#### Large detail sanding base

With this sanding base, you can use the tool as a detail sander or an orbital sander.

#### Fitting and removing the sanding base (fig. D & E)

For detail sanding, the pointed end should face forward as in fig. D. For sanding large areas, the pointed end should face to the back as in fig. E.

- ◆ Place the sanding base (4) onto the spindle (13). Make sure that the legs of the base locate into the tool.
- ◆ Place the washer (14) onto the spindle.
- ◆ Insert the Allen screw (15) into the screw hole in the spindle.
- ◆ Tighten the Allen screw using the Allen key (16) supplied.
- ◆ To remove the sanding base, remove the Allen screw (15) and washer (14).

## Fitting sanding sheets (fig. F)

- ◆ Detach the two diamond-shaped tips (18) from the sanding sheet (19).
- ◆ Hold the tool with the sanding base facing upwards.
- ◆ Place the sanding sheet (19) onto the sanding base, making sure that the holes in the sheet line up with the holes in the base.

The diamond-shaped tip (18) can be reversed and replaced when worn.

- ◆ When the front part of the tip is worn, detach it from the sheet, reverse it and press it onto the sanding base again.
- ◆ When the whole tip is worn, remove it from the sanding base and fit a new tip.

## Tip of the sanding base (fig. G)

When the sanding base tip (6) is worn, it can be reversed or replaced. When the tip holder (5) is worn, it can be replaced.

Spare parts are available from your Black & Decker dealer.

- ◆ Remove the screw (20).
- ◆ Reverse or replace the worn part.
- ◆ Fit and tighten the screw.

## Finger attachment (fig. H)

The finger attachment is used for fine detail sanding.

- ◆ Remove the screw (20).
- ◆ Remove the diamond-shaped tip holder (5) from the sanding base.
- ◆ Fit the finger attachment (10) onto the sanding base.
- ◆ Fit and tighten the screw.
- ◆ Fit the appropriate sanding sheet (21) onto the finger attachment.

## Profile attachment

The profile attachment is used for contour sanding.

## Fitting the profile attachment (fig. I)

- ◆ Remove the screw (20).
- ◆ Remove the diamond-shaped tip holder (5) from the sanding base.
- ◆ Fit the profile attachment (8) onto the sanding base.
- ◆ Fit and tighten the screw.

## Fitting and removing a sanding profile (fig. J1 & J2)

- ◆ Choose the sanding profile most suitable for your application.
- ◆ Place one end of the sanding profile (9) into the recess at the front end of the profile attachment (8).
- ◆ Push the other end of the sanding profile until it clicks into place.
- ◆ To remove the sanding profile (9), push it forward and pull the rear end out of the profile attachment (8).

## Fitting a sanding sheet onto a sanding profile (fig. K)

- ◆ Align the sanding sheet (22) with the sanding profile (9).
- ◆ Press the sanding sheet onto the sanding profile, making sure that the sanding sheet follows the shape of the profile.

## Louvre attachment (fig. L & M)

With the louvre attachment you can work in crevices.

- ◆ Remove the screw (20).
- ◆ Remove the diamond-shaped tip holder (5) from the sanding base.
- ◆ Fit the louvre attachment (12) onto the sanding base.
- ◆ Fit and tighten the screw.
- ◆ Fit the appropriate sanding sheet (23) onto the louvre attachment.

The additional piece of velcro fastener (24) can be attached to the top surface of the louvre attachment (12) to allow for sanding using both sides.

- ◆ Remove the backing paper from the velcro fastener (24).
- ◆ Stick the velcro fastener to the top surface of the louvre attachment.
- ◆ Fit the sanding piece (23) to the velcro fastener.

## Use

**Warning!** Let the tool work at its own pace. Do not overload.

**Warning!** Do not cover the ventilation slots when using the tool. Hold the tool as shown in fig. Q. Make sure that the sanding base is flat on the workpiece.

## Switching on and off (fig. N)

- ◆ To switch the tool on, set the on/off switch (1) to position I.
- ◆ To switch the tool off, set the on/off switch to position O.

## Automatic brake system (ABS)

This tool has an automatic brake system. When the tool is not on the work surface, this feature keeps the speed of the disc below the speed of the motor. When the tool is switched off, the disc will stop very quickly.

## Emptying the dust cassette (fig. O & P)

The dust cassette should be emptied every 10 minutes of use.

- ◆ Pull the dust cassette (3) to the rear and off the tool.
- ◆ Remove the cover (25) by twisting it counterclockwise.
- ◆ Hold dust cassette with the filter (26) facing down and shake the cassette to empty the contents. Shake the cover to empty the contents.
- ◆ Refit the cover (25) onto the dust cassette, twisting it clockwise until it locks into place.
- ◆ Refit the dust cassette onto the tool.



### Cleaning the dust cassette filter

The dust cassette filter is re-usable and should be cleaned regularly.

- ◆ Empty the dust cassette (3) as described above.
- ◆ Pull the filter (26) off the dust cassette.
- ◆ Shake off excess dust by tapping the filter into a dustbin.

**Warning!** Do not brush or use compressed air or sharp objects to clean the filter. Do not wash the filter.

- ◆ Replace the filter.
- ◆ Refit the cover.
- ◆ Refit the dust cassette onto the tool.

### Hints for optimum use

- ◆ For user comfort, the tool can be operated with one or two hands (fig. Q). Do not place your hands over the ventilation slots.
- ◆ Do not exert too much pressure on the tool.
- ◆ Regularly check the condition of the sanding sheet. Replace when necessary.
- ◆ Always sand with the grain of the wood.
- ◆ When sanding new layers of paint before applying another layer, use extra fine grit.
- ◆ On very uneven surfaces, or when removing layers of paint, start with a coarse grit. On other surfaces, start with a medium grit. In both cases, gradually change to a fine grit for a smooth finish.
- ◆ Consult your retailer for more information on available accessories.

### Maintenance

Your tool has been designed to operate over a long period of time with a minimum of maintenance. Continuous satisfactory operation depends upon proper tool care and regular cleaning.

- ◆ Clear the cooling vents and slots with a clean, dry paint brush.
- ◆ Clean the housing with a clean, damp cloth. Do not use solvents.

### Protecting the environment



Separate collection. This product must not be disposed of with normal household waste.

Should you find one day that your Black & Decker product needs replacement, or if it is of no further use to you, do not dispose of it with household waste. Make this product available for separate collection.



Separate collection of used products and packaging allows materials to be recycled and used again. Re-use of recycled materials helps prevent environmental pollution and reduces the demand for raw materials.

Local regulations may provide for separate collection of electrical products from the household, at municipal waste sites or by the retailer when you purchase a new product.

Black & Decker provides a facility for the collection and recycling of Black & Decker products once they have reached the end of their working life. To take advantage of this service please return your product to any authorised repair agent who will collect them on our behalf.

You can check the location of your nearest authorised repair agent by contacting your local Black & Decker office at the address indicated in this manual. Alternatively, a list of authorised Black & Decker repair agents and full details of our after-sales service and contacts are available on the Internet at: [www.2helpU.com](http://www.2helpU.com)

### Technical data

	KA270
Voltage	V <sub>AC</sub> 230
Power input	W 170
Oscillations (no load)	min <sup>-1</sup> 11,000
Orbits (no load)	min <sup>-1</sup> 22,000
Weight	kg 1.53

### EC declaration of conformity

KA270

Black & Decker declares that these products conform to: 98/37/EC, 89/336/EEC, EN 60745, EN 55014, EN 61000

L<sub>PA</sub> (sound pressure) 78 dB(A), L<sub>WA</sub> (acoustic power) 89 dB(A), hand/arm weighted vibration 8.8 m/s<sup>2</sup>

K<sub>PA</sub> (sound pressure uncertainty) 3 dB(A),

K<sub>WA</sub> (acoustic power uncertainty) 3 dB(A)

Kevin Hewitt  
 Director of Consumer Engineering  
 Spennymoor, County Durham DL16 6JG,  
 United Kingdom  
 1-5-2005

## Guarantee

Black & Decker is confident of the quality of its products and offers an outstanding guarantee. This guarantee statement is in addition to and in no way prejudices your statutory rights. The guarantee is valid within the territories of the Member States of the European Union and the European Free Trade Area.

If a Black & Decker product becomes defective due to faulty materials, workmanship or lack of conformity, within 24 months from the date of purchase, Black & Decker guarantees to replace defective parts, repair products subjected to fair wear and tear or replace such products to ensure minimum inconvenience to the customer unless:

- ◆ The product has been used for trade, professional or hire purposes;
- ◆ The product has been subjected to misuse or neglect;
- ◆ The product has sustained damage through foreign objects, substances or accidents;
- ◆ Repairs have been attempted by persons other than authorised repair agents or Black & Decker service staff.

To claim on the guarantee, you will need to submit proof of purchase to the seller or an authorised repair agent. You can check the location of your nearest authorised repair agent by contacting your local Black & Decker office at the address indicated in this manual. Alternatively, a list of authorised Black & Decker repair agents and full details of our after-sales service and contacts are available on the Internet at:

**[www.2helpU.com](http://www.2helpU.com)**

Please visit our website **[www.blackanddecker.co.uk](http://www.blackanddecker.co.uk)** to register your new Black & Decker product and to be kept up to date on new products and special offers. Further information on the Black & Decker brand and our range of products is available at **[www.blackanddecker.co.uk](http://www.blackanddecker.co.uk)**

## Bestimmungsgemäße Verwendung

Ihr Black & Decker Schleifer wurde zum Schleifen von Holz, Metall, Kunststoff und lackierten Oberflächen entwickelt. Dieses Gerät ist nicht für den gewerblichen Einsatz vorgesehen.

## Allgemeine Sicherheitsregeln

**Achtung!** Sämtliche Anweisungen sind zu lesen.

Die Nichteinhaltung der nachstehend aufgeführten Anweisungen kann elektrischen Schlag, Brand und/oder schwere Verletzungen verursachen. Der nachfolgend verwendete Begriff "Gerät" bezieht sich auf netzbetriebene Geräte (mit Netzkabel) und auf akkubetriebene Geräte (ohne Netzkabel).

BEWAHREN SIE DIESE ANWEISUNGEN AUF.

### 1. Arbeitsbereich

- a. **Halten Sie Ihren Arbeitsbereich sauber und gut ausgeleuchtet.** Unordnung und dunkle Arbeitsbereiche können zu Unfällen führen.
- b. **Arbeiten Sie mit Geräten nicht in explosionsgefährdeter Umgebung, in der sich brennbare Flüssigkeiten, Gase oder Stäube befinden.** Geräte erzeugen Funken, die den Staub oder die Dämpfe entzünden können.
- c. **Halten Sie Kinder und andere Personen während der Benutzung des Gerätes fern.** Bei Ablenkung können Sie die Kontrolle verlieren.

### 2. Elektrische Sicherheit

- a. **Der Anschlußstecker des Gerätes muß in die Steckdose passen. Der Stecker darf in keiner Weise verändert werden. Verwenden Sie keine Adapterstecker gemeinsam mit schutzgeerdeten Geräten.** Unveränderte Stecker und passende Steckdosen verringern das Risiko eines elektrischen Schlages.
- b. **Vermeiden Sie Körperkontakt mit geerdeten Oberflächen von Rohren, Heizungen, Herden und Kühlschränken.** Es besteht ein erhöhtes Risiko eines elektrischen Schlags, wenn Ihr Körper geerdet ist.
- c. **Halten Sie Geräte von Regen und Nässe fern.** Das Eindringen von Wasser in ein Gerät erhöht das Risiko eines elektrischen Schlages.
- d. **Missbrauchen Sie nicht das Kabel. Verwenden Sie das Kabel niemals zum Tragen, Ziehen oder Trennen des Gerätes vom Netz. Halten Sie das Kabel fern von Hitze, Öl, scharfen Kanten oder sich bewegenden Teilen.** Beschädigte oder verwickelte Kabel erhöhen das Risiko eines elektrischen Schlages.
- e. **Wenn Sie mit einem Gerät im Freien arbeiten, verwenden Sie nur Verlängerungskabel, die auch für den Außenbereich zugelassen sind.** Die Verwendung eines für den Außenbereich geeigneten Verlängerungskabels verringert das Risiko eines elektrischen Schlages.

### 3. Sicherheit von Personen

- a. **Seien Sie aufmerksam, achten Sie darauf, was Sie tun, und gehen Sie vernünftig mit einem Gerät um. Benutzen Sie das Gerät nicht, wenn Sie müde sind oder unter dem Einfluß von Drogen, Alkohol oder Medikamenten stehen.** Ein Moment der Unachtsamkeit beim Gebrauch von Geräten kann zu ernsthaften Verletzungen führen.
- b. **Verwenden Sie Schutzausrüstung. Tragen Sie stets einen Augenschutz.** Schutzausrüstung wie Staubmaske, rutschfeste Sicherheitsschuhe, Schutzhelm oder Gehörschutz, je nach Art und Einsatz des Gerätes, verringert das Risiko von Verletzungen.
- c. **Vermeiden Sie eine unbeabsichtigte Inbetriebnahme. Stellen Sie sicher, daß sich der Schalter in der Aus-Stellung befindet, bevor das Gerät mit dem Netz verbunden wird.** Durch das Tragen des Gerätes mit dem Finger am Schalter oder durch das Verbinden eingeschalteter Geräte werden Unfälle provoziert.
- d. **Entfernen Sie EinstellGeräte oder Schraubenschlüssel, bevor Sie das Gerät einschalten.** Ein Gerät oder Schlüssel, der sich in einem drehenden Teil befindet, kann zu Verletzungen führen.
- e. **Nicht zu weit nach vorne strecken! Achten Sie auf einen sicheren Stand, um in jeder Arbeitsposition das Gleichgewicht zu halten.** Dadurch können Sie das Gerät in unerwarteten Situationen besser unter Kontrolle halten.
- f. **Tragen Sie geeignete Kleidung. Tragen Sie keine weite Kleidung oder Schmuck. Halten Sie Haare, Kleidung und Handschuhe fern von sich bewegenden Teilen.** Lockere Kleidung, Schmuck oder lange Haare können von sich bewegenden Teilen erfaßt werden.
- g. **Falls Staubabsaug- und -fangvorrichtungen vorhanden sind, vergewissern Sie sich, daß diese angeschlossen sind und richtig verwendet werden.** Das Verwenden dieser Einrichtungen verringert Gefährdungen durch Staub.

### 4. Gebrauch und Pflege von Geräten

- a. **Überlasten Sie das Gerät nicht. Verwenden Sie für Ihre Arbeit das dafür bestimmte Gerät.** Mit dem passenden Gerät arbeiten Sie besser und sicherer im angegebenen Leistungsbereich.
- b. **Benutzen Sie kein Gerät, dessen Schalter defekt ist.** Ein Gerät, das sich nicht mehr ein- oder ausschalten läßt, ist gefährlich und muß repariert werden.
- c. **Ziehen Sie den Stecker aus der Steckdose, bevor Sie Einstellungen vornehmen, Zubehöerteile wechseln oder das Gerät weglegen.** Diese Vorsichtsmaßnahme verhindert den unbeabsichtigten Start des Gerätes.

- d. Bewahren Sie unbenutzte Geräte außerhalb der Reichweite von Kindern auf. Lassen Sie Geräte nicht von Personen benutzen, die damit nicht vertraut sind oder diese Anweisungen nicht gelesen haben.** Geräte sind gefährlich, wenn Sie von unerfahrenen Personen benutzt werden.
- e. Halten Sie Geräte in einem einwandfreien Zustand. Kontrollieren Sie, ob bewegliche Teile falsch ausgerichtet sind oder klemmen und ob Teile gebrochen oder so beschädigt sind, daß die Funktion des Gerätes beeinträchtigt ist. Lassen Sie beschädigte Geräte vor dem Gebrauch reparieren.** Viele Unfälle haben ihre Ursache in schlecht gewarteten Geräten.
- f. Halten Sie Schneidgeräte scharf und sauber.** Sorgfältig gepflegte Schneidgeräte mit scharfen Schneidkanten verkleben sich weniger und sind leichter zu führen.
- g. Verwenden Sie Gerät, Zubehör, Einsatz-Bits, usw. entsprechend diesen Anweisungen und so, wie es für diesen speziellen Gerätetyp vorgeschrieben ist. Berücksichtigen Sie dabei die Arbeitsbedingungen und die ausführende Arbeit.** Der Gebrauch von Geräten für andere als die vorgesehenen Anwendungen kann zu gefährlichen Situationen führen.
- 5. Service**
- a. Lassen Sie Ihr Gerät nur von qualifiziertem Fachpersonal und nur mit Original-Ersatzteilen reparieren.** Damit wird gewährleistet, daß die Sicherheit des Gerätes erhalten bleibt.

### Zusätzliche Sicherheitshinweise für Schleifer

- Tragen Sie beim Schleifen möglichst immer eine Staubmaske.
- Entfernen Sie nach dem Schleifen sorgfältig alle Staubreste.
- Treffen Sie beim Schleifen von möglicherweise bleihaltiger Farbe oder von bestimmten Holz- und Metallarten, die giftigen Staub bilden können, besondere Maßnahmen:
  - Tragen Sie eine spezielle Maske zum Schutz vor Bleifarbstaub und -dämpfen und stellen Sie sicher, daß auch andere Personen, die den Arbeitsplatz betreten, geschützt werden.
  - Verhindern Sie, daß Kinder oder Schwangere den Arbeitsplatz betreten.
  - Essen, trinken und rauchen Sie nicht am Arbeitsplatz.
  - Entsorgen Sie Staubteilchen und andere Schleifabfälle auf fachgerechte Weise.
- Vor dem Einsatz des Geräts bei Werkstücken aus Holz stellen Sie bitte sicher, daß die Staubkassette angebracht wurde.

- Vor dem Einsatz des Geräts bei Werkstücken aus Metall stellen Sie bitte sicher, daß die Staubkassette entfernt wurde.
- Verwenden Sie das Gerät niemals ohne Schleifpapier.
- Verwenden Sie das Gerät niemals ohne Schleifplatte.
- Dieses Gerät darf ohne Aufsicht nicht von jungen oder schwachen Personen verwendet werden. Kinder müssen beaufsichtigt werden, um sicherzustellen, daß sie nicht mit dem Gerät spielen.
- Falls das Netzkabel beschädigt ist, so ist es vom Hersteller oder einem autorisierten Black & Decker Service Center auszutauschen, um Gefahren vorzubeugen.

### Elektrische Sicherheit



Dieses Gerät ist schutzisoliert, daher ist keine Erdleitung erforderlich. Überprüfen Sie immer, ob die Netzspannung der auf dem Typenschild des Geräts angegebenen Spannung entspricht.

### Merkmale

Dieses Gerät weist einige oder alle der folgenden Merkmale auf.

1. Ein-/Aus-Schalter
2. Gel-Komfortgriff (nur KA270GT(K))
3. Staubkassette
4. Großdetail-Schleifplatte
5. Spitzenhalter
6. Schleifplattenspitze

### Abb. A

7. Exzenterschleifplatte
8. Profilaufsatz (nur KA270(GT)K)
9. Schleifprofile (nur KA270(GT)K)
10. Detail-Finger (nur KA270(GT)K)
11. Ersatz-Schleifplattenspitze (nur KA270(GT)K)
12. Lamellenaufsatz (nur KA270LDK)

### Montage

**Achtung!** Vergewissern Sie sich vor der Montage, daß das Gerät ausgeschaltet ist und daß der Netzstecker gezogen wurde.

### Exzenterschleifplatte

Mit dieser Schleifplatte können Sie das Gerät als Exzenterschleifer verwenden.

### Anbringen und Entfernen der Schleifplatte (Abb. B)

- Setzen Sie die Schleifplatte (7) auf die Spindel (13).
- Setzen Sie die Unterlegscheibe (14) auf die Spindel.
- Setzen Sie die Innensechskantschraube (15) in die Schraubenbohrung in der Spindel.

- Ziehen Sie die Innensechskantschraube mit dem mitgelieferten Innensechskantschlüssel (16) an.
- Um die Schleifplatte zu entfernen, entfernen Sie die Innensechskantschraube (15) und die Unterlegscheibe (14).

### Anbringen des Schleifpapiers (Abb. C)

- Halten Sie das Gerät mit der Schleifplatte (7) nach oben weisend.
- Setzen Sie das Schleifpapier (17) auf die Schleifplatte (7). Die Löcher im Schleifpapier müssen nicht mit den Löchern in der Schleifplatte ausgerichtet sein.

### Großdetail-Schleifplatte

Mit dieser Schleifplatte können Sie das Gerät als Detail-Schleifer oder als Exzentrerschleifer verwenden.

### Anbringen und Entfernen der Schleifplatte (Abb. D & E)

Für Detail-Schleifarbeiten sollte das Punktende gemäß Abb. D nach vorne weisen. Um große Flächen zu schleifen, sollte das Punktende gemäß Abb. E nach hinten weisen.

- Setzen Sie die Schleifplatte (4) auf die Spindel (13). Stellen Sie sicher, daß die Ausleger der Platte im Gerät sitzen.
- Setzen Sie die Unterlegscheibe (14) auf die Spindel.
- Setzen Sie die Innensechskantschraube (15) in die Schraubenbohrung in der Spindel.
- Ziehen Sie die Innensechskantschraube mit dem mitgelieferten Innensechskantschlüssel (16) an.
- Um die Schleifplatte zu entfernen, entfernen Sie die Innensechskantschraube (15) und die Unterlegscheibe (14).

### Anbringen des Schleifpapiers (Abb. F)

- Nehmen Sie die beiden diamantförmigen Spitzen (18) vom Schleifpapier (19) ab.
- Halten Sie das Gerät mit der Schleifplatte nach oben weisend.
- Bringen Sie das Schleifpapier (19) auf der Schleifplatte an. Sorgen Sie dafür, daß die Löcher im Schleifpapier mit denen in der Schleifplatte fluchten.

Die diamantförmige Spitze (18) kann umgedreht wieder angebracht werden, wenn sie verschlissen ist.

- Ist der vordere Teil der Spitze verschlissen, nehmen Sie die Spitze vom Schleifpapier, drehen Sie sie um und drücken Sie sie wieder auf die Schleifplatte.
- Ist die gesamte Spitze verschlissen, nehmen Sie sie von der Schleifplatte ab und bringen Sie eine neue Spitze an.

### Spitze der Schleifplatte (Abb. G)

Ist die Schleifplattenspitze (6) verschlissen, so kann sie umgedreht oder erneuert werden. Ist der Spitzenhalter (5) verschlissen, so kann er erneuert werden.

Ersatzteile sind bei Ihrem Black & Decker Händler erhältlich.

- Entfernen Sie die Schraube (20).
- Drehen Sie das verschlissene Teil um oder erneuern Sie es.
- Bringen Sie die Schraube an und ziehen Sie sie fest.

### Fingeraufsatz (Abb. H)

Der Fingeraufsatz wird für feines Detailschleifen verwendet.

- Entfernen Sie die Schraube (20).
- Entfernen Sie den diamantförmigen Spitzenhalter (5) von der Schleifplatte.
- Bringen Sie den Fingeraufsatz (10) auf der Schleifplatte an.
- Bringen Sie die Schraube an und ziehen Sie sie fest.
- Bringen Sie das passende Schleifpapier (21) am Fingeraufsatz an.

### Profilaufsatz

Der Profilaufsatz wird für Konturschleifarbeiten verwendet.

### Anbringen des Profilaufsatzes (Abb. I)

- Entfernen Sie die Schraube (20).
- Entfernen Sie den diamantförmigen Spitzenhalter (5) von der Schleifplatte.
- Bringen Sie den Profilaufsatz (8) auf der Schleifplatte an.
- Bringen Sie die Schraube an und ziehen Sie sie fest.

### Anbringen und Entfernen eines Schleifprofils (Abb. J1 & J2)

- Wählen Sie das für Ihren Einsatz am besten geeignete Schleifprofil.
- Setzen Sie ein Ende des Schleifprofils (9) in die Aussparung am vorderen Ende des Profilaufsatzes (8).
- Drücken Sie auf das andere Ende des Schleifprofils, bis es in seiner Lage einrastet.
- Um das Schleifprofil (9) zu entfernen, schieben Sie es nach vorne, und ziehen Sie das hintere Ende aus dem Profilaufsatz heraus (8).

### Anbringen eines Schleifpapiers auf einem Schleifprofil (Abb. K)

- Richten Sie das Schleifpapier (22) mit dem Schleifprofil (9) aus.
- Drücken Sie das Schleifpapier auf das Schleifprofil und stellen Sie sicher, daß sich das Schleifpapier der Form des Profils anpaßt.

### Lamellenvorsatz (Abb. L & M)

Mit dem Lamellenvorsatz können Sie in Spalten arbeiten.

- Entfernen Sie die Schraube (20).
- Entfernen Sie den diamantförmigen Spitzenhalter (5) von der Schleifplatte.
- Bringen Sie den Lamellenaufsatz (12) auf der Schleifplatte an.
- Bringen Sie die Schraube an und ziehen Sie sie fest.

- Bringen Sie das passende Schleifpapier (23) am Lamellenaufsatz an.

Das zusätzliche Stück Klettverschluss (24) kann an der oberen Fläche des Lamellenvorsatzes (12) angebracht werden, um unter Verwendung beider Seiten zu schleifen.

- Entfernen Sie das Papier von der Klettverschlussbefestigung (24).
- Heften Sie die Klettverschlussbefestigung auf die obere Fläche des Lamellenaufsatzes.
- Setzen Sie das Schleifstück (23) auf die Klettverschlussbefestigung.

## Gebrauch

**Achtung!** Beschleunigen Sie den Arbeitsvorgang nicht mit Gewalt. Vermeiden Sie eine Überlastung des Gerätes.

**Achtung!** Verdecken Sie beim Gebrauch des Geräts nicht die Ventilationsschlitze. Halten Sie das Werkzeug gemäß Abb. Q. Stellen Sie sicher, daß die Schleifplatte flach auf dem Werkstück aufliegt.

### Ein- und Ausschalten (Abb. N)

- Zum Einschalten des Geräts stellen Sie den Ein-/Aus-Schalter (1) in die Position I.
- Zum Ausschalten des Geräts stellen Sie den Ein-/Aus-Schalter in die Position O.

### Automatisches Bremssystem (ABS)

Dieses Gerät hat ein automatisches Bremssystem. Befindet sich das Gerät nicht auf der Arbeitsfläche, so wird durch dieses System die Geschwindigkeit der Scheibe unterhalb der Geschwindigkeit des Motors gehalten. Wird das Gerät ausgeschaltet, so bleibt die Scheibe sehr schnell stehen.

### Leeren der Staubkassette (Abb. O & P)

Die Staubkassette sollte während des Betriebs alle 10 Minuten entleert werden.

- Ziehen Sie die Staubkassette (3) nach hinten und vom Gerät ab.
- Entfernen Sie die Abdeckung (25) durch Drehen gegen den Uhrzeigersinn.
- Halten Sie die Staubkassette mit dem Filter (26) nach untenweisend, und schütteln Sie die Kassette, um sie zu entleeren. Schütteln Sie die Abdeckung, um sie zu entleeren.
- Bringen Sie die Abdeckung (25) wieder auf der Staubkassette an, indem Sie sie im Uhrzeigersinn drehen, bis sie in ihrer Lage einrastet.
- Bringen Sie die Staubkassette wieder am Gerät an.

### Reinigen des Staubkassettenfilters

Der Staubkassettenfilter ist wiederverwertbar und sollte regelmäßig gereinigt werden.

- Entleeren Sie die Staubkassette (3) wie oben beschrieben.
- Ziehen Sie den Filter (26) von der Staubkassette herunter.
- Schütteln Sie den Staub ab, indem Sie den Filter in einem Mülleimer ausklopfen.

**Achtung!** Den Filter nicht abbürsten, nicht mit Druckluft reinigen und keine scharfen Gegenstände verwenden. Der Filter nicht waschen.

- Setzen Sie den Filter wieder ein.
- Bringen Sie die Abdeckung wieder an.
- Bringen Sie die Staubkassette wieder am Gerät an.

### Hinweise für optimale Arbeitsergebnisse

- Das Werkzeug kann mit einer oder mit beiden Händen bedient werden (Abb. Q). Halten Sie die Hände nicht auf die Belüftungsschlitze.
- Üben Sie keinen zu großen Druck auf das Gerät aus.
- Überprüfen Sie regelmäßig den Zustand des Schleifpapiers. Tauschen Sie es bei Bedarf aus.
- Schleifen Sie immer in Richtung der Holzmaserung.
- Zum Schleifen frischer Farbschichten vor dem Auftragen weiterer Schichten verwenden Sie sehr feines Schleifpapier.
- Auf sehr unebenen Oberflächen sowie zum Entfernen alter Farbschichten verwenden Sie zunächst grobes Schleifpapier. Auf anderen Oberflächen verwenden Sie zunächst mittelgrobes Schleifpapier. In beiden Fällen wechseln Sie nach einiger Zeit auf feines Schleifpapier, damit Sie eine sehr glatte Oberfläche erhalten.
- Wenden Sie sich für weitere Informationen über Zubehör an Ihren Händler.

## Wartung

Ihr Werkzeug wurde im Hinblick auf eine lange Lebensdauer und einen möglichst geringen Wartungsaufwand entwickelt. Ein dauerhafter, einwandfreier Betrieb setzt eine regelmäßige Pflege und Reinigung voraus.

- Reinigen Sie die Ventilationsöffnungen und Schlitze mit einem sauberen, trockenen Pinsel.
- Reinigen Sie das Gehäuse mit einem sauberen, feuchten Tuch. Verwenden Sie keine Lösungsmittel.

## Umweltschutz



Getrennte Entsorgung. Dieses Produkt darf nicht über den normalen Hausmüll entsorgt werden.

Sollte Ihr Black & Decker Produkt eines Tages erneuert werden müssen, oder falls Sie es nicht weiter verwenden wollen, so darf es nicht über den Hausmüll entsorgt werden. Stellen Sie dieses Produkt zur getrennten Entsorgung bereit.



Durch die getrennte Entsorgung gebrauchter Produkte und Verpackungen können die Materialien recycelt und wiederverwertet werden. Die Wiederverwertung recycelter Materialien schont die Umwelt und verringert die Nachfrage nach Rohstoffen.

Die regionalen Bestimmungen schreiben unter Umständen die getrennte Entsorgung elektrischer Produkte aus dem Haushalt an Sammelstellen oder seitens des Händlers vor, bei dem Sie das neue Produkt erworben haben.

Black & Decker nimmt Ihre ausgedienten Black & Decker Geräte gern zurück und sorgt für eine umweltfreundliche Entsorgung und Wiederverwertung. Um diesen Dienst zu nutzen, schicken Sie bitte Ihr Produkt zu einer Vertragswerkstatt. Hier wird es dann auf unsere Kosten gesammelt.

Die Adresse der zuständigen Black & Decker Vertretung steht in diesem Handbuch, darüber läßt sich die nächstgelegene Vertragswerkstatt ermitteln. Außerdem ist eine Liste der Vertragswerkstätten und aller Kundendienststellen von Black & Decker sowie der zuständigen Ansprechpartner im Internet zu finden unter: [www.2helpU.com](http://www.2helpU.com)

**Technische Daten**

		KA270
Spannung	$V_{AC}$	230
Leistungsaufnahme	$W$	170
Schwingungen (Leerlauf)	$min^{-1}$	11.000
Exzenterbewegungen (Leerlauf)	$min^{-1}$	22.000
Gewicht	$kg$	1,53

**EG-Konformitätserklärung**

KA270

Black & Decker erklärt, daß diese Produkte folgende Konformität erfüllen:  
98/37/EWG, 89/336/EWG, EN 60745, EN 55014, EN 61000

$L_{pA}$  (Schalldruck) 78 dB(A),  $L_{WA}$  (Schalleistung) 89 dB(A),  
gewichtete Hand-/Armvibrationen 8,8  $m/s^2$

$K_{pA}$  (Schalldruck-Unsicherheitsfaktor) 3 dB(A),

$K_{WA}$  (Schalleistungs-Unsicherheitsfaktor) 3 dB(A)

Kevin Hewitt  
Director of Consumer Engineering  
Spennymoor, County Durham DL16 6JG,  
Vereinigtes Königreich  
1-5-2005

**Garantie**

Black & Decker vertraut auf die Qualität der eigenen Geräte und bietet dem Käufer eine außergewöhnliche Garantie. Diese Garantiezusage versteht sich unbeschadet der gesetzlichen Gewährleistungsansprüche und schränkt diese keinesfalls ein. Sie gilt in sämtlichen Mitgliedsstaaten der Europäischen Union und der Europäischen Freihandelszone EFTA.

Tritt innerhalb von 24 Monaten ab Kaufdatum an einem Gerät von Black & Decker ein auf Material- oder Verarbeitungsfehler zurückzuführender Mangel auf, garantiert Black & Decker den Austausch defekter Teile, die Reparatur von Geräten mit üblichem Verschleiß bzw. den Austausch eines mangelhaften Geräts, ohne den Kunden dabei mehr als unbedingt nötig in Anspruch zu nehmen, allerdings vorbehaltlich folgender Ausnahmen:

- wenn das Gerät gewerblich, beruflich oder im Verleihgeschäft benutzt wurde;
- wenn das Gerät mißbräuchlich verwendet oder mit mangelnder Sorgfalt behandelt wurde;
- wenn das Gerät durch irgendwelche Fremdeinwirkung beschädigt wurde;
- wenn ein unbefugter Reparaturversuch durch anderes Personal als das einer Vertragswerkstatt oder des Black & Decker-Kundendienstes unternommen wurde.

Zur Inanspruchnahme dieser Garantie ist dem Verkäufer bzw. der Vertragswerkstatt ein Kaufnachweis vorzulegen. Der Kaufnachweis muß Kaufdatum und Gerätetyp bescheinigen. Die Adresse des zuständigen Büros von Black & Decker steht in dieser Anleitung, darüber läßt sich die nächstgelegene Vertragswerkstatt ermitteln. Außerdem ist eine Liste der Vertragswerkstätten und aller Kundendienststellen von Black & Decker sowie der zuständigen Ansprechpartner im Internet zu finden unter: [www.2helpU.com](http://www.2helpU.com)

Bitte besuchen Sie unsere Webseite [www.blackanddecker.de](http://www.blackanddecker.de), um Ihr neues Black & Decker Produkt zu registrieren und über neue Produkte und Sonderangebote aktuell informiert zu werden. Weitere Informationen über die Marke Black & Decker und unsere Produkte finden Sie unter [www.blackanddecker.de](http://www.blackanddecker.de)

## Utilisation prévue

Votre ponceuse Black & Decker a été spécialement conçue pour poncer le bois, le métal, le plastique et les surfaces peintes. Cet outil a été conçu pour une utilisation exclusivement domestique.

## Consignes générales de sécurité

**Attention !** Lisez toutes les instructions. Le non-respect des instructions indiquées ci-dessous peut entraîner une électrocution, un incendie ou de graves blessures. La notion d'« outil électroportatif » mentionnée par la suite se rapporte à des outils électriques raccordés au secteur (avec câble de raccordement) ou fonctionnant sur batteries (sans fil).  
GARDEZ PRÉCIEUSEMENT CES CONSIGNES DE SECURITE.

### 1. Zone de travail

#### a. Maintenez la zone de travail propre et bien éclairée.

Un lieu de travail en désordre ou mal éclairé augmente le risque d'accidents.

#### b. N'utilisez pas les outils électroportatifs dans un environnement présentant des risques d'explosion ni en présence de liquides, gaz ou poussières inflammables.

Les outils électroportatifs génèrent des étincelles risquant d'enflammer les poussières ou les vapeurs.

#### c. Tenez les enfants et autres personnes éloignés durant l'utilisation de l'outil électroportatif.

En cas d'inattention, vous risquez de perdre le contrôle sur l'outil.

### 2. Sécurité électrique

#### a. La fiche de secteur de l'outil électroportatif doit convenir à la prise de courant. Ne modifiez en aucun cas la fiche. N'utilisez pas de fiches d'adaptateur avec des outils ayant une prise de terre.

Les fiches non modifiées et les prises de courant appropriées réduisent le risque d'électrocution.

#### b. Évitez le contact physique avec des surfaces mises à la terre telles que tuyaux, radiateurs, fours et réfrigérateurs.

Il y a un risque élevé d'électrocution si votre corps est relié à la terre.

#### c. N'exposez pas l'outil électroportatif à la pluie ni à l'humidité.

La pénétration d'eau dans un outil électroportatif augmente le risque d'électrocution.

#### d. Préservez le câble d'alimentation. N'utilisez pas le câble à d'autres fins que celles prévues, notamment pour porter l'outil, l'accrocher voire le débrancher de la prise de courant. Maintenez le câble éloigné des sources de chaleur, des parties grasses, des bords tranchants ou des parties de l'outil en rotation.

Un câble endommagé ou enchevêtré augmente le risque d'électrocution.

#### e. Si vous utilisez l'outil électroportatif à l'extérieur, utilisez une rallonge homologuée pour utilisation à l'air libre.

L'utilisation d'une rallonge électrique homologuée pour les applications extérieures réduit le risque d'électrocution.

### 3. Sécurité personnelle

#### a. Restez vigilant, surveillez ce que vous faites. Faites preuve de bon sens quand vous utilisez l'outil électroportatif. N'utilisez pas l'outil lorsque vous êtes fatigué ou après avoir consommé de l'alcool, des drogues ou avoir pris des médicaments.

Un moment d'inattention lors de l'utilisation de l'outil peut entraîner de graves blessures.

#### b. Portez des équipements de protection. Portez toujours des lunettes de protection.

Le port d'équipements de protection personnelle tels que masque anti-poussières, chaussures de sécurité antidérapantes, casque ou protection auditive, selon le travail à effectuer, réduit le risque de blessures.

#### c. Évitez une mise en route accidentelle. Avant de brancher l'outil, vérifiez que l'interrupteur est sur la position arrêt.

Le transport ou le branchement d'outils électroportatifs avec l'interrupteur en position marche est une invite à l'accident.

#### d. Enlevez tout outil ou clé de réglage avant de mettre l'outil en marche.

Une clé ou un outil se trouvant sur une partie en rotation peut causer des blessures.

#### e. Ne surestimez pas vos capacités. Conservez en permanence votre équilibre et les deux pieds à terre.

Vous contrôlerez mieux l'outil dans des situations inattendues.

#### f. Portez des vêtements appropriés. Ne portez pas de vêtements amples ni de bijoux. N'approchez pas les cheveux, vêtements ou gants des parties de l'outil en rotation.

Les vêtements amples, les bijoux ou les cheveux longs peuvent être attrapés dans les pièces en mouvement.

#### g. Si des dispositifs servant à aspirer ou à recueillir les poussières doivent être utilisés, vérifiez qu'ils sont correctement raccordés et utilisés.

L'utilisation de tels dispositifs réduit les dangers dus aux poussières.

### 4. Utilisation des outils électroportatifs et précautions

#### a. Ne surchargez pas l'outil. Utilisez l'outil électroportatif approprié pour le travail à effectuer.

Avec l'outil électroportatif approprié, vous travaillerez mieux et avec plus de sécurité à la vitesse pour laquelle il a été conçu.

#### b. N'utilisez pas un outil électroportatif dont l'interrupteur est défectueux.

Un outil électroportatif qui ne peut plus être mis en ou hors fonctionnement est dangereux et doit être réparé.



- c. Retirez la fiche de la prise de courant avant d'effectuer des réglages sur l'outil, de changer les accessoires ou de ranger l'outil.** Cette mesure de précaution empêche une mise en marche par mégarde.
- d. Rangez les outils électroportatifs hors de portée des enfants. Ne laissez pas les personnes n'étant pas familiarisées avec l'outil ou n'ayant pas lu ces instructions l'utiliser.** Les outils électroportatifs sont dangereux lorsqu'ils sont utilisés par des personnes non initiées.
- e. Prenez soin des outils électroportatifs. Vérifiez que les parties en mouvement fonctionnent correctement et qu'elles ne sont pas coincées ; vérifiez qu'il n'y a pas de pièces cassées ou endommagées susceptibles de nuire au bon fonctionnement de l'outil. S'il est endommagé, faites réparer l'outil avant de l'utiliser.** De nombreux accidents sont dus à des outils électroportatifs mal entretenus.
- f. Maintenez les outils de coupe aiguisés et propres.** Des outils soigneusement entretenus avec des bords tranchants bien aiguisés se coincent moins souvent et peuvent être guidés plus facilement.
- g. Utilisez les outils électroportatifs, les accessoires, les outils à monter etc. conformément à ces instructions et aux prescriptions en vigueur pour ce type d'outils. Tenez compte également des conditions de travail et du travail à effectuer.** L'utilisation des outils électroportatifs à d'autres fins que celles prévues peut entraîner des situations dangereuses.
- 5. Réparations**
- a. Faites réparer votre outil électroportatif uniquement par du personnel qualifié et seulement avec des pièces de rechange d'origine.** Cela garantira le maintien de la sécurité de votre outil.

#### Instructions de sécurité supplémentaires pour ponceuses

- Portez de préférence un masque contre la poussière lorsque vous poncez.
- Enlevez soigneusement toute poussière après le ponçage.
- Faites spécialement attention lorsque vous poncez de la peinture pouvant être à base de plomb ou lorsque vous poncez des bois et des métaux pouvant produire de la poussière toxique.
  - Portez un masque contre la poussière spécialement conçu pour vous protéger de la poussière des peintures à base de plomb et des fumées et veillez à ce que les personnes se trouvant à l'intérieur de la zone de travail ou y pénétrant soient également protégées.
  - Ne laissez pas les enfants ou les femmes enceintes entrer dans la zone de travail.

- Ne mangez pas, ne buvez pas ou ne fumez pas dans la zone de travail.
- Nettoyez l'outil de toutes particules de poussière et autre débris.

- Nous vous conseillons de mettre en place la cassette à poussières avant d'utiliser votre outil sur le bois.
- Vérifiez que vous avez bien démonté la cassette à poussières avant d'utiliser votre outil sur le bois.
- N'utilisez jamais l'outil sans feuille de ponçage.
- N'utilisez jamais l'outil sans base de ponçage.
- Cet appareil n'est pas destiné à être utilisé par des jeunes ou des personnes infirmes sans supervision. Les enfants ne doivent pas jouer avec l'appareil.
- Si le câble d'alimentation est endommagé, il doit être remplacé par le fabricant ou par un centre de réparation agréé Black & Decker afin d'éviter tout accident.

#### Sécurité électrique



L'outil est doublement isolé ; par conséquent, aucun câble de masse n'est nécessaire. Vérifiez si la tension mentionnée sur la plaque signalétique correspond bien à celle du réseau sur site.

#### Caractéristiques

Cet outil comprend toutes ou certaines des caractéristiques suivantes.

1. Interrupteur marche/arrêt
2. Poignée confortable recouverte de gel (KA270GT(K) uniquement)
3. Cassette à poussières
4. Base de ponçage de grand détail
5. Support de pointe
6. Pointe de base de ponçage

#### Fig. A

7. Base de ponçage à orbite aléatoire
8. Accessoire profil (KA270(GT)K uniquement)
9. Profils de ponçage (KA270(GT)K uniquement)
10. Doigt de ponçage de détail (KA270(GT)K uniquement)
11. Pointe de base de ponçage additionnelle (KA270(GT)K uniquement)
12. Extension persienne (KA270LDK uniquement)

#### Assemblage

**Attention !** Avant l'assemblage, assurez-vous que l'outil est éteint et débranché.

#### Base de ponçage à orbite aléatoire

Cette base de ponçage vous permet d'utiliser l'outil comme une ponceuse à orbite aléatoire.

## Mise en place et retrait de la base de ponçage (fig. B)

- Placez la base de ponçage (7) sur l'arbre (13).
- Placez la rondelle (14) sur l'arbre.
- Insérez la vis Allen (15) dans l'orifice fileté de l'arbre.
- Serrez la vis Allen à l'aide de la clé Allen (16) fournie.
- Pour démonter la base de ponçage, dévissez la vis Allen (15) et la rondelle (14).

## Mise en place des feuilles de ponçage (fig. C)

- Tenez l'outil base de ponçage (7) vers le haut.
- Placez la feuille de ponçage (17) sur la base de ponçage (7). Les orifices de la feuille ne doivent pas nécessairement être alignés avec ceux de la base.

## Base de ponçage de grand détail

Cette base de ponçage vous permet d'utiliser l'outil comme une ponceuse de détail ou une ponceuse vibrante.

## Mise en place et retrait de la base de ponçage (fig. D & E)

Pour le ponçage de détail, l'extrémité pointue doit être pointer vers l'avant comme dans la fig. D. Pour le ponçage de grandes surfaces, l'extrémité pointue doit pointer vers l'arrière comme dans la fig. E.

- Placez la base de ponçage (4) sur l'arbre (13). Vérifiez que les montants de la base s'insèrent bien dans l'outil.
- Placez la rondelle (14) sur l'arbre.
- Insérez la vis Allen (15) dans l'orifice fileté de l'arbre.
- Serrez la vis Allen à l'aide de la clé Allen (16) fournie.
- Pour démonter la base de ponçage, dévissez la vis Allen (15) et la rondelle (14).

## Mise en place des feuilles de ponçage (fig. F)

- Détachez les deux pointes en forme de losange (18) de la feuille de ponçage (19).
- Maintenez l'outil avec la base de ponçage vers le haut.
- Placez la feuille (19) sur la base de ponçage, en veillant à ce que les orifices de la feuille coïncident avec ceux de la base.

La pointe en forme de losange (18) peut être inversée et remplacée lorsqu'elle est usée.

- Lorsque la partie avant de la pointe est usée, détachez-la de la feuille, retournez-la et enfoncez-la à nouveau sur la base.
- Lorsque la pointe est complètement usée, retirez-la de la base de ponçage et installez une nouvelle pointe.

## Pointe de la base de ponçage (fig. G)

Lorsque la pointe de la base de ponçage (6) est usée, elle peut être inversée ou remplacée. Si le support de pointe (5) est usé, il peut être remplacé. Vous pouvez vous procurer les pièces de rechange auprès des détaillants Black & Decker.

- Enlevez la vis (20)
- Inversez ou remplacez la pièce usée.
- Mettez la vis en place et serrez-la.

## Accessoire doigt (fig. H)

Le doigt fourni comme accessoire est utilisé pour le ponçage de précision.

- Enlevez la vis (20)
- Démontez le support de pointe en losange (5) de la base de ponçage.
- Placez le doigt (10) sur la base de ponçage.
- Mettez la vis en place et serrez-la.
- Placez la feuille de ponçage adéquate (21) sur l'accessoire doigt.

## Accessoire profil

Le profil fourni comme accessoire est utilisé pour le ponçage de profils.

## Montage de l'accessoire profil (fig. I)

- Enlevez la vis (20)
- Démontez le support de pointe en losange (5) de la base de ponçage.
- Placez l'accessoire profil (8) sur la base de ponçage.
- Mettez la vis en place et serrez-la.

## Mise en place et retrait du profil de ponçage (fig. J1 & J2)

- Choisissez le profil de ponçage le mieux adapté à votre application.
- Placez une extrémité du profil de ponçage (9) dans l'encoche à l'avant de l'accessoire profil (8).
- Emboîtez l'autre extrémité du profil de ponçage.
- Pour retirer le profil de ponçage (9), tirez-le vers l'avant et extrayez l'extrémité arrière hors de l'accessoire profil (8).

## Mise en place de la feuille de ponçage sur un profil de ponçage (fig. K)

- Alignez la feuille de ponçage (22) avec le profil de ponçage (9)
- Enfoncez la feuille de ponçage sur le profil de ponçage, en vérifiant que la feuille de ponçage suit bien la forme du profil.

## Extension persienne (fig. L & M)

L'extension persienne vous permet de travailler dans les renforcements.

- Enlevez la vis (20).
- Démontez le support de pointe en losange (5) de la base de ponçage.
- Placez l'extension persienne (12) sur la base de ponçage.
- Mettez la vis en place et serrez-la.

- Placez la feuille de ponçage adéquate (23) sur l'extension persienne.

La pièce de fixation velcro additionnelle (24) peut se fixer sur la surface supérieure de l'extension persienne (12) pour offrir un ponçage des deux côtés.

- Enlevez le papier de ponçage du velcro (24).
- Collez le velcro sur le haut de l'extension persienne.
- Appliquez la pièce de ponçage (23) sur le velcro.

## Utilisation

**Attention !** Laissez l'outil fonctionner à sa propre vitesse. Ne le surchargez pas.

**Attention !** Prenez soin de ne pas boucher les orifices de ventilation lorsque vous utilisez l'outil. Tenez l'outil comme indiqué dans la fig. Q. Assurez-vous que la base de ponçage est bien posée à plat sur la pièce à travailler.

## Démarrage et arrêt (fig. N)

- Pour démarrer l'outil, mettez l'interrupteur marche/arrêt (1) sur la position I.
- Pour éteindre l'outil, mettez l'interrupteur marche/arrêt sur la position O.

## Système de freinage automatique (ABS)

Cet outil comporte un système de freinage automatique. Lorsque l'outil n'est pas sur le plan de travail, cette fonction permet de faire fonctionner le disque à une vitesse inférieure à celle du moteur. Lorsque vous éteignez l'outil, le disque s'arrête très rapidement.

## Vider la cassette à poussières (fig. O & P)

La cassette à poussières doit être vidée toutes les 10 minutes.

- Tirez la cassette à poussières (3) vers l'arrière et extrayez-la de l'outil.
- Retirez le couvercle (25) en le faisant tourner dans le sens anti-horaire.
- Tenez la cassette à poussières avec le filtre (26) dirigé vers le bas et secouez-la pour la vider.  
Secouez le couvercle pour le vider.
- Remettez le couvercle (25) sur la cassette à poussières, en le faisant tourner dans le sens horaire pour l'enclencher.
- Remettez la cassette à poussières sur l'outil.

## Nettoyage du filtre de la cassette à poussières

Le filtre de la cassette à poussières est réutilisable et doit être nettoyé régulièrement.

- Videz la cassette à poussières (3) comme décrit ci-dessus.
- Tirez le filtre (26) hors de la cassette à poussières.
- Époussetez le filtre en le tapotant contre la poubelle.

**Attention !** Ne nettoyez pas le filtre avec une brosse, de l'air comprimé ou des objets coupants. Ne lavez pas le filtre.

- Remettez le filtre.
- Remettez le couvercle.
- Remettez la cassette à poussières sur l'outil.

## Conseils pour une utilisation optimale

- Pour le confort de l'utilisateur, l'outil peut être utilisé avec une main ou les deux (fig. Q). Veillez à ne pas mettre vos mains sur les trous d'aération.
- N'exercez pas trop de pression sur l'outil.
- Vérifiez régulièrement l'état de la feuille de ponçage. Remplacez-la lorsque cela est nécessaire.
- Poncez toujours avec le grain correspondant au bois.
- Lorsque vous poncez de nouvelles couches de peinture avant d'en appliquer une autre, utilisez un abrasif extra fin.
- Pour les surfaces irrégulières ou lorsque vous enlevez des couches de peinture, commencez par un abrasif à gros grains. Sur d'autres surfaces, commencez avec un abrasif moyen. Dans les deux cas, changez graduellement et passez à un abrasif fin pour une finition douce.
- Renseignez-vous chez votre revendeur pour plus d'informations sur les accessoires disponibles.

## Entretien

Votre outil a été conçu pour fonctionner pendant longtemps avec un minimum d'entretien. Un fonctionnement continu satisfaisant dépend d'un nettoyage régulier et d'un entretien approprié de l'outil.

- Dégagez les grilles et les fentes d'aération à l'aide d'un pinceau propre et sec.
- Nettoyez le carter à l'aide d'un chiffon propre et humide. N'utilisez pas de solvants.

## Protection de l'environnement



Collecte séparée. Ce produit ne doit pas être jeté avec les déchets domestiques normaux.

Si vous décidez de remplacer ce produit Black & Decker, ou si vous n'en avez plus l'utilité, ne le jetez pas avec vos déchets domestiques. Rendez-le disponible pour une collecte séparée.



La collecte séparée des produits et emballages usés permet le recyclage des articles afin de les utiliser à nouveau. Le fait d'utiliser à nouveau des produits recyclés permet d'éviter la pollution environnementale et de réduire la demande de matières premières.

Les réglementations locales peuvent permettre la collecte séparée des produits électriques du foyer, dans des déchetteries municipales ou auprès du revendeur vous ayant vendu votre nouveau produit.

Black & Decker fournit un dispositif permettant de collecter et de recycler les produits Black & Decker lorsqu'ils ont atteint la fin de leur cycle de vie. Pour pouvoir profiter de ce service, veuillez retourner votre produit à un réparateur agréé qui se chargera de le collecter pour nous.

Pour connaître l'adresse du réparateur agréé le plus proche de chez vous, contactez le bureau Black & Decker à l'adresse indiquée dans ce manuel. Vous pourrez aussi trouver une liste des réparateurs agréés de Black & Decker et de plus amples détails sur notre service après-vente sur le site Internet à l'adresse suivante : [www.2helpU.com](http://www.2helpU.com)

## Caractéristiques techniques

	KA270	
Tension	$V_{AC}$	230
Puissance absorbée	$W$	170
Oscillations (à vide)	$\text{min}^{-1}$	11.000
Orbites (à vide)	$\text{min}^{-1}$	22.000
Poids	$\text{kg}$	1,53

## Déclaration de conformité CE

KA270

Black & Decker déclare que ces produits sont conformes à : 98/37/CEE, 89/336/CEE, EN 60745, EN 55014, EN 61000

$L_{pA}$  (pression sonore) 78 dB(A),  $L_{WA}$  (puissance acoustique) 89 dB(A), poids de la vibration sur la main/bras 8,8 m/s<sup>2</sup>

$K_{pA}$  (incertitude de la pression acoustique) 3 dB(A),

$K_{WA}$  (incertitude de la puissance acoustique) 3 dB(A)



Kevin Hewitt  
 Directeur Ingénierie Client  
 Spennymoor, County Durham DL16 6JG,  
 Royaume Uni  
 1-5-2005

Si un produit Black & Decker s'avère défectueux en raison de matériaux en mauvaises conditions, d'une erreur humaine, ou d'un manque de conformité dans les 24 mois suivant la date d'achat, Black & Decker garantit le remplacement des pièces défectueuses, la réparation des produits usés ou cassés ou remplace ces produits à la convenance du client, sauf dans les circonstances suivantes :

- Le produit a été utilisé dans un but commercial, professionnel, ou a été loué.
- Le produit a été mal utilisé ou avec négligence.
- Le produit a subi des dommages à cause d'objets étrangers, de substances ou à cause d'accidents.
- Des réparations ont été tentées par des techniciens ne faisant pas partie du service technique de Black & Decker.

Pour avoir recours à la garantie, il est nécessaire de fournir une preuve d'achat au vendeur ou à un réparateur agréé. Pour connaître l'adresse du réparateur agréé le plus proche de chez vous, contactez le bureau Black & Decker à l'adresse indiquée dans ce manuel. Vous pourrez aussi trouver une liste des réparateurs agréés de Black & Decker et de plus amples détails sur notre service après-vente sur le site Internet à l'adresse suivante : [www.2helpU.com](http://www.2helpU.com)

Visitez notre site Web [www.blackanddecker.fr](http://www.blackanddecker.fr) pour enregistrer votre nouveau produit Black & Decker et être informé des nouveaux produits et des offres spéciales. Pour plus d'informations concernant la marque Black & Decker et notre gamme de produits, consultez notre site [www.blackanddecker.fr](http://www.blackanddecker.fr)

## Garantie

Black & Decker est confiant dans la qualité de ses produits et vous offre une garantie très étendue. Ce certificat de garantie est un document supplémentaire et ne peut en aucun cas se substituer à vos droits légaux. La garantie est valable sur tout le territoire des États Membres de l'Union Européenne et de la Zone de Libre Echange Européenne.

## Uso previsto

La levigatrice Black & Decker è stata progettata per levigare superfici in legno, metallo, plastica e verniciate. L'utensile è stato progettato per un uso individuale.

## Norme generiche di sicurezza

**Attenzione!** Leggere tutte le istruzioni. La mancata osservazione delle presenti istruzioni potrebbe causare scosse elettriche, incendi e/o infortuni gravi. Il termine "elettroutensile" che ricorre in tutte le avvertenze seguenti si riferisce ad utensili elettrici con o senza filo.

CONSERVARE QUESTE ISTRUZIONI.

### 1. Area di lavoro

**a. Mantenere pulita e bene illuminata l'area di lavoro.** Il disordine e la scarsa illuminazione possono causare incidenti.

**b. Evitare d'impiegare gli elettroutensili in ambienti esposti al rischio di esplosione, ad esempio in presenza di liquidi, gas o polveri infiammabili.** Gli elettroutensili producono scintille che possono far infiammare la polvere o i fumi.

**c. Mantenere lontani bambini ed astanti mentre si usa l'elettroutensile.** Eventuali distrazioni possono comportare la perdita del controllo dell'utensile.

### 2. Sicurezza elettrica

**a. La spina elettrica deve essere adatta alla presa. Evitare assolutamente di alterare la spina. Non impiegare spine adattatrici con utensili provvisti di messa a terra.** L'uso di spine inalterate e delle prese corrispondenti riduce il rischio di scosse elettriche.

**b. Evitare il contatto fisico con superfici collegate a terra, come tubi, radiatori, forni e frigoriferi.** Un corpo collegato a terra è esposto maggiormente al rischio di scosse elettriche.

**c. Custodire gli elettroutensili al riparo dalla pioggia o dall'umidità.** L'eventuale infiltrazione di acqua in un elettroutensile aumenta il rischio di scosse elettriche.

**d. Non esporre il cavo a sollecitazioni. Non usare il cavo per trasportare o trainare l'utensile e non tirarlo per estrarre la spina dalla presa di corrente. Mantenere il cavo al riparo dal calore, da bordi taglienti e/o da parti in movimento.** I cavi elettrici danneggiati o aggrovigliati aumentano il rischio di scosse elettriche.

**e. Se l'elettroutensile viene adoperato all'aperto, usare esclusivamente prolunghe omologate per l'impiego all'esterno.** Un cavo adatto per uso esterno riduce il rischio di scosse elettriche.

### 3. Sicurezza delle persone

**a. È importante concentrarsi su ciò che si sta facendo e maneggiare con giudizio l'elettroutensile. Non adoperare l'elettroutensile se si è stanchi o sotto l'effetto di stupefacenti, alcol o medicinali.** Un attimo di distrazione può causare gravi infortuni personali.

**b. Indossare sempre un equipaggiamento protettivo. Indossare sempre degli occhiali di sicurezza.**

Avendo cura d'indossare l'equipaggiamento protettivo necessario - ad esempio maschera antipolvere, calzature antiscivolo, casco ed otoprotezioni - si ridurrà il rischio di infortuni.

**c. Evitare l'accensione involontaria dell'utensile. Prima d'inserire la spina nella presa, controllare che l'interruttore sia su Off.** Il trasporto di elettroutensili tenendo le dita sull'interruttore oppure l'inserimento della spina di alimentazione di un elettroutensile con l'interruttore di accensione su On, aumenta il rischio di incidenti.

**d. Prima di accendere un elettroutensile, togliere eventuali chiavi o attrezzi di regolazione.** Un attrezzo o una chiave lasciati in un componente mobile dell'elettroutensile possono causare lesioni.

**e. Non sporgersi. Mantenere sempre un buon equilibrio evitando posizioni malsicure.** In questo modo è possibile controllare meglio l'utensile in situazioni inaspettate.

**f. Vestirsi adeguatamente. Evitare di indossare indumenti larghi o gioielli. Tenere capelli, vestiti e guanti lontani da pezzi in movimento.** Vestiti larghi, gioielli o capelli lunghi potranno impigliarsi nei componenti in movimento.

**g. Se gli utensili sono provvisti di attacchi per la connessione di dispositivi di aspirazione o raccolta della polvere, assicurarsi che questi siano installati e utilizzati correttamente.** L'impiego di tali dispositivi può ridurre i rischi correlati alle polveri.

### 4. Uso e cura degli elettroutensili

**a. Non sovraccaricare l'utensile. Usare l'elettroutensile idoneo al lavoro da eseguire.** L'elettroutensile appropriato permetterà una migliore e più sicura lavorazione alla potenza nominale prevista.

**b. Non utilizzare elettroutensili con interruttori difettosi.** Un elettroutensile che non può essere controllato mediante l'interruttore è pericoloso e deve essere riparato.

**c. Estrarre la spina dalla presa di corrente prima di regolare l'utensile, di sostituire degli accessori o di riporre l'utensile.** Queste precauzioni di sicurezza riducono le possibilità che l'utensile venga messo in funzione accidentalmente.

- d. Quando non vengono usati, gli elettroutensili devono essere custoditi fuori della portata dei bambini. Non consentire l'uso dell'utensile a persone inesperte o che non abbiano letto le presenti istruzioni.** Gli elettroutensili risultano pericolosi se usati da persone inesperte.
- e. Sottoporre gli elettroutensili alle procedure di manutenzione del caso. Verificare che le parti mobili siano bene allineate e non inceppate, che non vi siano componenti rotti e che non sussistano altre condizioni che possano compromettere il funzionamento dell'elettroutensile. In caso di danni, riparare l'elettroutensile prima dell'uso.** La scarsa manutenzione causa molti incidenti.
- f. Mantenere affilati e puliti gli utensili da taglio.** Se sottoposti alla corretta manutenzione, gli utensili da taglio con taglienti affilati s'inceppano meno frequentemente e sono più facili da manovrare.
- g. Utilizzare l'elettroutensile, gli accessori, le punte ecc. in conformità delle presenti istruzioni e secondo la specifica destinazione prevista, tenendo conto delle condizioni di lavoro e del lavoro da completare.** L'impiego degli elettroutensili per usi diversi da quelli previsti può dar luogo a situazioni di pericolo.
- 5. Riparazioni**
- a. Fare riparare l'utensile solo ed esclusivamente da personale specializzato e solo impiegando pezzi di ricambio originali,** per conservare le condizioni di sicurezza dell'elettroutensile.

### Istruzioni aggiuntive di sicurezza per levigatrici

- È conveniente indossare una mascherina quando si leviga.
- Togliete tutta la polvere dopo aver levigato.
- Fate molta attenzione quando levigate vernici che molto probabilmente hanno come componente base il piombo o quando levigate certi legni e metalli la cui polvere può essere tossica:
  - Indossate una mascherina di protezione contro la polvere che sia specifica contro la polvere di vernice di piombo ed i fumi ed accertatevi che le persone che siano nella zona di lavoro od entrino in essa siano anch'esse protette.
  - Non permettete ai bambini o alle donne incinta di essere nell'area di lavoro.
  - Non mangiate, bevete o fumate nell'area di lavoro.
  - Gettate la polvere ed i rifiuti in appositi contenitori.
- Prima di utilizzare l'elettroutensile su pezzi di legno, controllare di avere installato la cassetta raccogli-polvere.
- Prima di utilizzare l'elettroutensile su pezzi di metallo, controllare di avere smontato la cassetta raccogli-polvere.

- Non utilizzare mai l'elettroutensile senza la carta vetrata.
- Non utilizzare mai l'elettroutensile senza la piastra di levigatura.
- L'utensile non deve essere utilizzato da ragazzi o persone deboli senza la supervisione di un adulto. Controllare i bambini per evitare che giochino con l'elettroutensile.
- Se il cavo elettrico in dotazione risulta danneggiato, deve essere sostituito dal produttore o da un Centro di assistenza autorizzato Black & Decker, onde evitare rischi.

### Sicurezza elettrica



Il doppio isolamento di cui è provvisto l'elettroutensile rende superfluo il filo di terra. Controllare sempre che l'alimentazione corrisponda alla tensione indicata sulla targhetta delle caratteristiche.

### Caratteristiche

Questo elettroutensile è dotato di tutte le caratteristiche elencate di seguito, o di alcune di esse.

1. Interruttore acceso/spento
2. Comoda impugnatura in morbido gel (solo modello KA270GT(K))
3. Cassetta raccogli-polvere
4. Piastra a punta grande
5. Portapunta
6. Punta della base di levigatura

### Fig. A

7. Piastra rotonda rotorbitale
8. Accessorio per profili (solo modello KA270(GT)K)
9. Profili per levigare (solo modello KA270(GT)K)
10. Piastra per dettagli (solo modello KA270(GT)K)
11. Ricambio per la punta della base di levigatura (solo modello KA270(GT)K)
12. Piastra per persiane (solo modello KA270LDK)

### Montaggio

**Attenzione!** Prima di montarlo assicuratevi che l'utensile sia spento e desinserito.

### Piastra rotonda rotorbitale

Con questa base, la levigatrice può essere utilizzata come levigatrice rotorbitale.

### Inserimento ed estrazione della base di levigatura (fig. B)

- Collocare la base di levigatura (7) sull'alberino (13).
- Collocare la rondella (14) sull'alberino.
- Inserire la vite Allen (15) nel foro per la vite sull'alberino.
- Serrare la vite Allen usando la chiave Allen (16) in corredo.
- Per asportare la base di levigatura, estrarre la vite Allen (15) e la rondella (14).

**Inserimento dei fogli di carta vetrata (fig. C)**

- Mantenere l'elettrotensile con la base di levigatura (7) rivolta verso l'alto.
- Collocare il foglio di carta vetrata (17) sulla base di levigatura (7). I fori del foglio non devono essere necessariamente allineati con quelli della base.

**Piastra a punta grande**

Con questa base, la levigatrice può essere utilizzata come levigatrice di precisione o a rotazione circolare.

**Inserimento ed estrazione della base di levigatura (fig. D & E)**

Per la levigatura di precisione, l'estremità appuntita deve essere rivolta in avanti, come mostra la fig. D. Per la levigatura di aree estese, l'estremità appuntita deve essere rivolta verso il lato posteriore, come mostra la fig. E.

- Collocare la base di levigatura (4) sull'alberino (13). Verificare che i piedini della base siano alloggiati nell'elettrotensile.
- Collocare la rondella (14) sull'alberino.
- Inserire la vite Allen (15) nel foro per la vite sull'alberino.
- Serrare la vite Allen usando la chiave Allen (16) in corredo.
- Per asportare la base di levigatura, estrarre la vite Allen (15) e la rondella (14).

**Inserimento dei fogli di carta vetrata (fig. F)**

- Staccare le due punte romboidali (18) dal foglio di carta abrasiva (19).
- Sostenere l'elettrotensile con la base di levigatura rivolta verso l'alto.
- Collocare il foglio di carta abrasiva (19) sulla base di levigatura, verificando che i fori del foglio coincidano con i fori sulla base.

Una punta romboidale (18) usurata può essere girata e sostituita quando è del tutto consumata.

- Quando la parte anteriore della punta è consumata, staccarla dal foglio, girarla e premerla di nuovo sulla base di levigatura.
- Quando l'intera punta è consumata, toglierla dalla base di levigatura ed installarne una nuova.

**Punta della base di levigatura (fig. G)**

Quando la punta della base di levigatura (6) è usurata, può essere girata o sostituita. Quando il portapunta (5) è usurato, può essere sostituito. Le parti di ricambio sono disponibili presso il concessionario locale Black & Decker.

- Rimuovere la vite (20).
- Girare o sostituire il pezzo usurato.
- Inserire e serrare la vite.

**Piastra per dettagli (fig. H)**

L'accessorio lungo è utilizzato per la levigatura di precisione.

- Rimuovere la vite (20).
- Smontare il portapunte romboidale (5) dalla base di levigatura.
- Installare l'accessorio lungo (10) sulla base di levigatura.
- Inserire e serrare la vite.
- Inserire il foglio di carta vetro adatto (21) sulla piastra per dettagli.

**Accessorio per profili**

L'accessorio per profili deve essere usato per levigare i bordi.

**Montaggio dell'accessorio per profili (fig. I)**

- Rimuovere la vite (20).
- Smontare il portapunte romboidale (5) dalla base di levigatura.
- Installare l'accessorio per profili (8) sulla base di levigatura.
- Inserire e serrare la vite.

**Inserimento ed estrazione di un profilo di levigatura (fig. J1 & J2)**

- Scegliere il profilo di levigatura adatto al lavoro da eseguire.
- Collocare un'estremità del profilo di levigatura (9) nella nicchia sul lato anteriore dell'accessorio per profili (8).
- Spingere l'altra estremità del profilo finché non scatta in posizione.
- Per smontare il profilo di levigatura (9), spingerlo in avanti e estrarne l'estremità posteriore dall'accessorio per profili.

**Inserimento di un foglio di carta vetrata su un profilo di levigatura (fig. K)**

- Allineare il foglio di carta vetrata (22) con il profilo di levigatura (9).
- Premere sul profilo di levigatura il foglio di carta vetrata, accertando che segua la forma del profilo.

**Piastra per persiane (fig. L & M)**

Con la piastra per persiane è possibile lavorare nelle fessure.

- Rimuovere la vite (20).
- Smontare il portapunte romboidale (5) dalla base di levigatura.
- Installare la piastra per persiane (12) sulla base di levigatura.
- Inserire e serrare la vite.
- Inserire il foglio di carta vetro adatto (23) sulla piastra per persiane.

Il pezzo aggiuntivo di fermo in velcro (24) può essere montato sulla superficie superiore della piastra per persiane (12), in modo da consentire di levigare da entrambi i lati.

- Estrarre la carta di protezione dal fermo in velcro (24).

- Fare aderire il fermo in velcro sulla superficie superiore della piastra per persiane.
- Installare il pezzo di levigatura (23) sul fermo in velcro.

## Uso

**Attenzione!** Lasciare che l'utensile lavori al suo ritmo, senza sovraccaricarlo.

**Attenzione!** Non ostruire le prese di ventilazione quando si adopera l'attrezzo. L'elettrotensile deve essere mantenuto come mostra la fig. Q. Verificare che la base di levigatura poggi piatta sul pezzo da lavorare.

## Avviamento e spegnimento (fig. N)

- Per avviare l'utensile, posizionare l'interruttore (1) sulla posizione I.
- Per spegnere l'utensile posizionare l'interruttore sulla posizione O.

## Sistema automatico di frenatura (ABS)

Questo elettrotensile è provvisto di sistema automatico di frenatura. Quando l'elettrotensile non è sulla superficie da lavorare, questa opzione mantiene la velocità del disco al di sotto della velocità del motore. Quando l'elettrotensile viene spento, il disco si ferma molto rapidamente.

## Svuotamento della cassetta raccogli polvere (fig. O & P)

Durante l'uso, la cassetta raccogli polvere deve essere svuotata ogni 10 minuti.

- Tirare indietro la cassetta raccogli polvere (3) e rimuoverla dall'elettrotensile.
- Togliere il coperchio (25) ruotandolo in senso antiorario.
- Mantenere la cassetta raccogli polvere con il filtro (26) rivolto verso il basso e scuoterla per svuotarla del contenuto. Agitare il coperchio per svuotarlo del contenuto.
- Rimontare il coperchio (25) sulla cassetta raccogli polvere ruotandolo in senso orario finché non si blocca in posizione.
- Rialloggiare la cassetta raccogli polvere sull'elettrotensile.

## Pulizia del filtro della cassetta raccogli polvere

Il filtro della cassetta raccogli polvere è riutilizzabile e deve essere pulito regolarmente.

- Svuotare la cassetta raccogli polvere (3) come descritto precedentemente.
- Estrarre il filtro (26) dalla cassetta raccogli polvere.
- Eliminare la polvere in eccesso battendo il filtro contro le pareti di una pattumiera.

**Attenzione!** Per pulire il filtro non usare né spazzole, né aria compressa, né oggetti taglienti. Non lavare il filtro.

- Reinstallare il filtro.
- Reinserire il coperchio.

- Rialloggiare la cassetta raccogli polvere sull'elettrotensile.

## Consigli per un'ottima utilizzazione

- Per comodità dell'utente, l'elettrotensile può essere utilizzato con una sola mano o con entrambe (fig. Q). Non porre le mani sulle prese di ventilazione.
- Non esercitare una pressione eccessiva sull'elettrotensile.
- Verificare regolarmente lo stato del foglio di carta abrasiva. Sostituirlo quando necessario.
- Levigare sempre usando una grana analoga a quella del legno.
- Per levigare strati di vernice nuova, adoperare carta abrasiva a grana fine prima di applicare lo strato successivo di vernice.
- Su superfici particolarmente irregolari, o per la rimozione di strati di vernice, iniziare a levigare con carta abrasiva a grana grossa. Su altri tipi di superfici, cominciare con una grana media. In entrambi i casi, per ottenere una rifinitura omogenea passare gradualmente a una grana sottile.
- Consultare il rivenditore per ulteriori informazioni sugli accessori disponibili.

## Manutenzione

Questo elettrotensile è stato progettato per funzionare a lungo con un minimo di manutenzione. Per un funzionamento sempre soddisfacente è necessario avere cura dell'elettrotensile e provvedere alla regolare pulizia.

- Pulire le prese e i fori di raffreddamento con un pennello pulito e asciutto.
- Pulire l'alloggiamento con un panno umido pulito. Non usare solventi.

## Protezione dell'ambiente



Raccolta differenziata. Questo prodotto non deve essere smaltito con i normali rifiuti domestici.

Nel caso in cui si decida di sostituire l'apparecchio oppure di disfarsene in quanto non più necessario, non dovrà essere smaltito con i normali rifiuti domestici. Smaltire il prodotto tramite raccolta differenziata.



La raccolta differenziata di prodotti e imballaggi usati, consente il riciclaggio e il riutilizzo dei materiali. Riutilizzare i materiali riciclati aiuta a prevenire l'inquinamento ambientale e riduce la richiesta di materie prime.



In base alle normative locali, i servizi per la raccolta differenziata di elettrodomestici possono essere disponibili presso i punti di raccolta municipali o presso il rivenditore, al momento dell'acquisto di un nuovo prodotto.

Black & Decker offre ai suoi clienti un servizio per la raccolta differenziata e la possibilità di riciclare i prodotti Black & Decker che hanno esaurito la loro durata in servizio. Per usufruire del servizio, è sufficiente restituire il prodotto a qualsiasi tecnico autorizzato, incaricato della raccolta per conto dell'azienda.

Per individuare il tecnico autorizzato più vicino, rivolgersi alla sede Black & Decker locale, presso il recapito indicato nel presente manuale. Altrimenti un elenco completo di tutti i tecnici autorizzati Black & Decker e i dettagli completi sui contatti e i servizi post-vendita sono disponibili sul sito Internet: **www.2helpU.com**

#### Dati tecnici

		<b>KA270</b>
Tensione	$V_{AC}$	230
Potenza assorbita	$W$	170
Oscillazioni (senza carico)	$\text{min}^{-1}$	11.000
Traiettorie circolari (senza carico)	$\text{min}^{-1}$	22.000
Peso	$\text{kg}$	1,53

### Dichiarazione CE di Conformità

KA270

Black & Decker dichiara che i presenti prodotti sono conformi a:

98/37/CEE, 89/336/CEE, EN 60745, EN 55014, EN 61000

$L_{pA}$  (pressione sonora) 78 dB(A),  $L_{WA}$  (potenza acustica) 89 dB(A), vibrazione misurata su braccio / mano 8,8  $\text{m/s}^2$

$K_{pA}$  (incertezza sulla pressione sonora) 3 dB(A),

$K_{WA}$  (incertezza sulla potenza acustica) 3 dB(A)



Kevin Hewitt  
Direttore tecnico prodotti di consumo  
Spennymoor, County Durham DL16 6JG,  
Regno Unito  
1-4-2005

Se un prodotto Black & Decker risulta difettoso per qualità del materiale, della costruzione o per mancata conformità entro 24 mesi dalla data di acquisto, Black & Decker garantisce la sostituzione delle parti difettose, provvede alla riparazione dei prodotti se ragionevolmente usurati oppure alla loro sostituzione, in modo da ridurre al minimo il disagio del cliente a meno che:

- Il prodotto non sia stato destinato ad usi commerciali, professionali o al noleggio;
- Il prodotto non sia stato usato in modo improprio o scorretto;
- Il prodotto non abbia subito danni causati da oggetti o sostanze estranee oppure incidenti;
- Il prodotto non abbia subito tentativi di riparazione non effettuati da tecnici autorizzati né dall'assistenza Black & Decker.

Per attivare la garanzia è necessario esibire la prova comprovante l'acquisto al venditore o al tecnico autorizzato. Per individuare il tecnico autorizzato più vicino, rivolgersi alla sede Black & Decker locale, presso il recapito indicato nel presente manuale. Altrimenti un elenco completo di tutti i tecnici autorizzati Black & Decker e i dettagli completi sui contatti e i servizi post-vendita sono disponibili su Internet presso: **www.2helpU.com**

I clienti che desiderano registrare il nuovo prodotto Black & Decker e ricevere gli aggiornamenti sui nuovi prodotti e le offerte speciali, sono invitati a visitare il sito Web (**www.blackanddecker.it**). Ulteriori informazioni sul marchio e la gamma di prodotti Black & Decker sono disponibili all'indirizzo **www.blackanddecker.it**

### Garanzia

Certa della qualità dei suoi prodotti, Black & Decker offre una garanzia eccezionale. Il presente certificato di garanzia è complementare ai diritti statutari e non li pregiudica in alcun modo. La garanzia è valida entro il territorio degli Stati membri dell'Unione Europea e dell'EFTA (European Free Trade Area).

## Gebruik volgens bestemming

Uw Black & Decker schuurmachine is ontworpen voor het schuren van hout, metaal, kunststof en geverfde oppervlakken. Deze machine is uitsluitend bestemd voor consumentengebruik.

## Algemene veiligheidsvoorschriften

**Waarschuwing!** Lees alle voorschriften. Wanneer de volgende voorschriften niet in acht worden genomen, kan dit een elektrische schok, brand of ernstig letsel tot gevolg hebben. Het hierna gebruikte begrip 'elektrisch gereedschap' heeft betrekking op elektrische gereedschappen voor gebruik op het stroomnet (met netsnoer) of op accu (snoerloos). **BEWAAR DEZE VOORSCHRIFTEN GOED.**

### 1. Werkomgeving

- a. **Houd uw werkomgeving schoon en opgeruimd.**  
Een rommelige of onverlichte werkomgeving kan tot ongevallen leiden.
- b. **Werk met de machine niet in een omgeving met explosiegevaar, zoals in de nabijheid van brandbare vloeistoffen, gassen of stof bevinden.**  
Elektrische gereedschappen veroorzaken vonken die het stof of de dampen tot ontsteking kunnen brengen.
- c. **Houd kinderen en andere personen tijdens het gebruik van het elektrische gereedschap uit de buurt.** Wanneer u wordt afgeleid, kunt u de controle over het gereedschap verliezen.

### 2. Elektrische veiligheid

- a. **De netstekker van het gereedschap moet in het stopcontact passen. De stekker mag in geen geval worden veranderd. Gebruik geen adapterstekkers in combinatie met geaarde gereedschappen.**  
Onveranderde stekkers en passende stopcontacten beperken het risico van een elektrische schok.
- b. **Voorkom aanraking van het lichaam met geaarde oppervlakken, bijvoorbeeld buizen, verwarmingen, fornuizen en koelkasten.** Er bestaat een verhoogd risico voor een elektrische schok wanneer uw lichaam geaard is.
- c. **Houd het gereedschap uit de buurt van regen en vocht.** Het binnendringen van water in het elektrische gereedschap vergroot het risico van een elektrische schok.
- d. **Gebruik het snoer niet voor een verkeerd doel. Gebruik het snoer niet om het gereedschap te dragen of op te hangen of om de stekker uit het stopcontact te trekken. Houd het snoer uit de buurt van hitte, olie, scherpe randen of bewegende delen.** Beschadigde of in de war geraakte snoeren vergroten het risico van een elektrische schok.

- e. **Wanneer u buitenshuis met elektrisch gereedschap werkt, dient u alleen verlengsnoeren te gebruiken die voor gebruik buitenshuis zijn goedgekeurd.** Het gebruik van een voor gebruik buitenshuis geschikt verlengsnoer beperkt het risico van een elektrische schok.

### 3. Veiligheid van personen

- a. **Wees alert, let goed op wat u doet en ga met verstand te werk bij het gebruik van elektrische gereedschappen. Gebruik elektrisch gereedschap niet wanneer u moe bent of onder invloed van drugs, alcohol of medicijnen.** Een moment van onoplettendheid bij het gebruik van het gereedschap kan tot ernstige verwondingen leiden.
  - b. **Draag persoonlijke beschermende uitrusting. Draag altijd een veiligheidsbril.** Het dragen van persoonlijke beschermende uitrusting zoals een stofmasker, slipvaste werkschoenen, een veiligheidshelm of gehoorbescherming, afhankelijk van de aard en het gebruik van het elektrische gereedschap, vermindert het risico van verwondingen.
  - c. **Voorkom per ongeluk inschakelen. Controleer of de schakelaar in de uit-stand staat voordat u de stekker in het stopcontact steekt.** Wanneer u bij het dragen van het gereedschap uw vinger aan de schakelaar hebt of wanneer u het gereedschap ingeschakeld op de stroomvoorziening aansluit, kan dit tot ongevallen leiden.
  - d. **Verwijder instelgereedschappen of schroefsleutels voordat u het gereedschap inschakelt.**  
Een instelgereedschap of sleutel in een draaiend deel van het gereedschap kan tot verwondingen leiden.
  - e. **Reik niet te ver. Zorg er altijd voor dat u stevig staat en in evenwicht blijft.** Daardoor kunt u het gereedschap in onverwachte situaties beter onder controle houden.
  - f. **Draag geschikte kleding. Draag geen loshangende kleding of sieraden. Houd haren, kleding en handschoenen uit de buurt van bewegende delen.** Loshangende kleding, sieraden en lange haren kunnen door bewegende delen worden meegenomen.
  - g. **Wanneer stofafzuigings- of stofopvangvoorzieningen kunnen worden gemonteerd, dient u zich ervan te verzekeren dat deze zijn aangesloten en juist worden gebruikt.** Het gebruik van deze voorzieningen beperkt het gevaar door stof.
- ### 4. Gebruik en onderhoud van elektrische gereedschappen
- a. **Overbelast het gereedschap niet. Gebruik voor uw toepassing het daarvoor bestemde elektrische gereedschap.** Met het passende elektrische gereedschap werkt u beter en veiliger binnen het aangegeven capaciteitsbereik.

- b. Gebruik geen elektrisch gereedschap waarvan de schakelaar defect is.** Elektrisch gereedschap dat niet meer kan worden in- of uitgeschakeld, is gevaarlijk en moet worden gerepareerd.
- c. Trek de stekker uit het stopcontact voordat u het gereedschap instelt, toebehoren wisselt of het gereedschap weglegt.** Deze voorzorgsmaatregel voorkomt onbedoeld starten van het gereedschap.
- d. Bewaar niet-gebruikte elektrische gereedschappen buiten bereik van kinderen. Laat het gereedschap niet gebruiken door personen die er niet mee vertrouwd zijn en deze aanwijzingen niet hebben gelezen.** Elektrische gereedschappen zijn gevaarlijk wanneer deze door onervaren personen worden gebruikt.
- e. Verzorg het gereedschap zorgvuldig. Controleer of bewegende delen van het gereedschap correct functioneren en niet vastklemmen en of onderdelen zodanig gebroken of beschadigd zijn dat de werking van het gereedschap nadelig wordt beïnvloed. Laat beschadigde delen repareren voordat u het gereedschap gebruikt.** Veel ongevallen worden veroorzaakt door slecht onderhouden elektrische gereedschappen.
- f. Houd snijdende inzetgereedschappen scherp en schoon.** Zorgvuldig onderhouden snijdende inzetgereedschappen met scherpe snijkanten klemmen minder snel vast en zijn gemakkelijker te geleiden.
- g. Gebruik elektrische gereedschappen, toebehoren, inzetgereedschappen en dergelijke volgens deze aanwijzingen en zoals voor dit speciale gereedschapstype voorgeschreven. Let daarbij op de arbeidsomstandigheden en de uit te voeren werkzaamheden.** Het gebruik van elektrische gereedschappen voor andere dan de voorziene toepassingen kan tot gevaarlijke situaties leiden.

## 5. Service

- a. Laat het gereedschap alleen repareren door gekwalificeerd en vakkundig personeel en alleen met originele vervangingsonderdelen.** Daarmee wordt de veiligheid van het gereedschap gewaarborgd.

## Aanvullende veiligheidsinstructies voor schuurmachines

- Gebruik bij voorkeur een stofmasker bij het schuren.
- Verwijder zorgvuldig alle stof na het schuren.
- Neem speciale maatregelen bij het schuren van verf met mogelijk een loodbasis of bij het schuren van bepaalde hout- en metaalsoorten die mogelijk giftige stoffen produceren:
  - Draag een stofmasker dat speciaal ontworpen is ter bescherming tegen loodverfstof en -damp en verzeker u ervan dat andere personen op de werkvloer of die de werkvloer betreden eveneens beschermd zijn.

- Kinderen en zwangere vrouwen mogen de werkvloer niet betreden.
- Eten, drinken en roken op de werkvloer is niet toegestaan.
- Verwijder stof en ander afval op veilige en verantwoorde wijze.

- Breng de stofcassette op de machine aan alvorens de machine op houten werkstukken te gebruiken.
- Verwijder de stofcassette van de machine alvorens de machine op metalen werkstukken te gebruiken.
- Gebruik de machine nooit zonder schuurvel.
- Gebruik de machine nooit zonder schuurzool.
- Dit apparaat is niet bedoeld voor gebruik door jonge of lichamelijk zwakke personen zonder toezicht. Houd toezicht op kinderen om ervoor te zorgen dat zij niet met het apparaat gaan spelen.
- Indien het netsnoer is beschadigd, dient het ter voorkoming van gevaren te worden vervangen door de fabrikant of een erkend servicecentrum.

## Elektrische veiligheid



Deze machine is dubbel geïsoleerd; een aardaansluiting is daarom niet noodzakelijk. Controleer altijd of uw netspanning overeenkomt met de waarde op het typeplaatje.

## Onderdelen

Al naar gelang de uitvoering beschikt deze machine over de volgende onderdelen.

1. Aan/uit-schakelaar
2. Gelcomfortgreep (alleen voor KA270GT[K])
3. Stofcassette
4. Schuurzool voor grote details
5. Punthouder
6. Schuurzoolpunt

## Fig. A

7. Excenterschuurzool
8. Profielhulpstuk (alleen voor KA270[GT]K)
9. Schuurprofielen (alleen voor KA270[GT]K)
10. Vingerhulpstuk voor details (alleen voor KA270[GT]K)
11. Reserve schuurzoolpunt (alleen voor KA270[GT]K)
12. Opzetstuk voor het schuren van jaloezieën (alleen voor KA270LDK)

## Montage

**Waarschuwing!** Zorg vóór aanvang van de montage dat de machine is uitgeschakeld en de netstekker van het lichtnet is losgekoppeld.

## Excenterschuurzool

Met deze schuurzool kunt u de machine gebruiken als een excenterschuurmachine.

### Aanbrengen en verwijderen van de schuurzool (fig. B)

- Plaats de schuurzool (7) op de spindel (13).
- Plaats de sluitring (14) op de spindel.
- Steek de inbusschroef (15) in het schroefgat in de spindel.
- Draai de inbusschroef goed aan met de meegeleverde inbussleutel (16).
- Om de schuurzool te verwijderen, verwijdert u de inbusschroef (15) en sluitring (14).

### Aanbrengen van schuurvellen (fig. C)

- Houd de machine vast met de schuurzool (7) omhoog.
- Plaats het schuurvel (17) op de schuurzool (7). De gaten in het vel hoeven niet in lijn te liggen met de gaten in de zool.

## Schuurzool voor grote details

Met deze schuurzool kunt u de machine gebruiken als een schuurmachine voor details of een met willekeurige schuurbewegingen.

### Aanbrengen en verwijderen van de schuurzool (fig. D & E)

Voor het schuren van details moet de punt naar voren wijzen zoals in fig. D. Voor het schuren van grote oppervlakken moet de punt naar achteren wijzen zoals in fig. E.

- Plaats de schuurzool (4) op de spindel (13). Zorg ervoor dat de poten van de schuurzool in de machine passen.
- Plaats de sluitring (14) op de spindel.
- Steek de inbusschroef (15) in het schroefgat in de spindel.
- Draai de inbusschroef goed aan met de meegeleverde inbussleutel (16).
- Om de schuurzool te verwijderen, verwijdert u de inbusschroef (15) en sluitring (14).

### Aanbrengen van schuurvellen (fig. F)

- Maak de twee ruitvormige punten (18) los van het schuurvel (19).
- Houd de machine vast met de schuurzool omhoog.
- Plaats het schuurvel (19) op de schuurzool en zorg dat de gaten in het vel samenvallen met de gaten in de zool.

De ruitvormige punt (18) kan worden omgedraaid en vervangen wanneer hij versleten is.

- Als het voorste gedeelte van de punt versleten is, haal hem dan los van het vel, draai hem om, en druk hem weer terug op de schuurzool.
- Als de gehele punt versleten is, verwijder hem dan van de schuurzool en plaats een nieuwe punt.

### Punt van de schuurzool (fig. G)

Wanneer de punt van de schuurzool (6) is versleten, kan hij worden omgedraaid of vervangen. Wanneer de punthouder (5) is versleten, kan deze worden vervangen. Reserveonderdelen zijn verkrijgbaar bij uw Black & Decker leverancier.

- Verwijder de schroef (20).
- Draai het versleten deel om of vervang het.
- Bevestig de schroef en draai deze vast.

### Vingerhulpstuk (fig. H)

Het vingerhulpstuk wordt gebruikt voor het schuren van fijne details.

- Verwijder de schroef (20).
- Verwijder de ruitvormige punthouder (5) van de schuurzool.
- Plaats het vingerhulpstuk (10) op de schuurzool.
- Bevestig de schroef en draai deze vast.
- Plaats het geschikte schuurvel (21) op de schuurzool.

### Profielhulpstuk

Het profielhulpstuk wordt gebruikt voor het schuren van contouren.

### Plaatsen van het profielhulpstuk (fig. I)

- Verwijder de schroef (20).
- Verwijder de ruitvormige punthouder (5) van de schuurzool.
- Plaats het profielhulpstuk (8) op de schuurzool.
- Bevestig de schroef en draai deze vast.

### Aanbrengen en verwijderen van een schuurprofiel (fig. J1 & J2)

- Kies het meest geschikte schuurprofiel voor uw toepassing.
- Plaats de ene kant van het schuurprofiel (9) in de uitsparing aan de voorkant van de profielhulpstuk (8).
- Druk op de andere kant van het schuurprofiel totdat hij op zijn plaats klikt.
- Duw het schuurprofiel (9) naar voren en trek het achterste gedeelte uit de profielhouder, om het schuurhulpstuk te verwijderen.

### Aanbrengen van een schuurvel op een schuurprofiel (fig. K)

- Breng het schuurvel (22) in lijn met het schuurprofiel (9).
- Druk het schuurvel op het schuurprofiel terwijl u ervoor zorgt dat het schuurvel precies op de vorm van het profiel past.

### Opzetstuk voor het schuren van jaloezieën (fig. L & M)

Met behulp van het opzetstuk voor het schuren van jaloezieën kunt u in spleten werken.

- Verwijder de schroef (20).
- Verwijder de ruitvormige punthouder (5) van de schuurzool.

- Plaats het opzetstuk voor het schuren van jaloezieën (12) op de schuurzool.
- Bevestig de schroef en draai deze vast.
- Plaats het geschikte schuurvel (23) op het opzetstuk voor het schuren van jaloezieën.

Het extra stuk klittenbandbevestiging (24) kan op de bovenkant van het opzetstuk (12) worden geplaatst waardoor beide kanten voor schuren kunnen worden gebruikt.

- Verwijder het papier van de achterzijde van de klittenbandbevestiging (24).
- Plak de klittenbandbevestiging op de bovenkant van het opzetstuk.
- Bevestig het stuk schuurpapier (23) op de klittenbandbevestiging.

## Gebruik

**Waarschuwing!** Laat de machine op haar eigen tempo werken. Niet overbelasten.

**Waarschuwing!** Bedek de ventilatiesleuven niet wanneer u de machine gebruikt. Houd de machine vast zoals afgebeeld in fig. Q. Zorg ervoor dat de schuurzool vlak op het werkstuk ligt.

## Aan- en uitschakelen (fig. N)

- Om de machine aan te schakelen, zet u de aan/uitschakelaar (1) in positie I.
- Om de machine uit te schakelen, zet u de aan/uitschakelaar in positie O.

## Automatisch remsysteem (ABS)

Deze machine heeft een ABS-systeem. Als de machine zich niet op het werkkoppervlak bevindt, dan zorgt dit systeem ervoor dat de schijfsnelheid niet hoger komt dan de motorsnelheid. Wanneer de machine uitgeschakeld wordt, zal de schijf zeer snel stoppen.

## Ledigen van de stofcassette (fig. O & P)

De stofcassette dient na iedere 10 minuten gebruik te worden geleegd.

- Trek de stofcassette (3) naar achteren en van de machine af.
- Verwijder het deksel (25) door het linksom te draaien.
- Houd de stofcassette met de filter (26) naar beneden en schud de cassette leeg. Schud het deksel leeg.
- Plaats het deksel (25) op de stofcassette en draai het rechtsom totdat het op zijn plaats klikt.
- Plaats de stofcassette weer terug op de machine.

## Reinigen van de stofcassettefilter

De stofcassettefilter is geschikt voor hergebruik en moet regelmatig worden gereinigd.

- Ledig de cassette (3) zoals hierboven beschreven.
- Trek het filter (26) uit de stofcassette.
- Verwijder overtollig stof door het filter in een afvalbak uit te kloppen.

**Waarschuwing!** Gebruik geen borstel, perslucht of scherpe voorwerpen om het filter te reinigen. Was het filter niet.

- Vervang het filter.
- Plaats de deksel terug.
- Plaats de stofcassette weer terug op de machine.

## Tips voor optimaal gebruik

- De machine kan met één of twee handen bediend worden ter verhoging van het bedieningsgemak (fig. Q). Plaats uw handen niet over de ventilatieopeningen.
- Voer niet te veel druk op de machine uit.
- Controleer regelmatig de conditie van het schuurvel. Vervang indien nodig.
- Schuur altijd met de houtnerf mee.
- Gebruik een extra fijne korrel bij het schuren van een nieuwe verflaag voordat een volgende verflaag wordt aangebracht.
- Begin op zeer oneffen oppervlakken of bij het verwijderen van verflagen met een grove korrel. Begin op andere oppervlakken met een mediumkorrel. Ga in beide gevallen geleidelijk aan over op een fijne korrel voor een gladde afwerking.
- Informeer bij uw detailhandel voor meer informatie over de verkrijgbare accessoires.

## Onderhoud

Dit gereedschap is ontworpen om gedurende langere periode te functioneren met een minimum aan onderhoud.

Voortdurend tevreden gebruik is afhankelijk van correct onderhoud en regelmatig schoonmaken.

- Maak de koelgaten en sleuven schoon met een schone, droge kwast.
- Reinig de behuizing met een schone, vochtige doek. Gebruik geen oplosmiddelen.

## Milieu



Gescheiden inzameling. Dit product mag niet met het gewone huishoudelijke afval worden weggegooid.

Wanneer uw oude Black & Deckerproduct aan vervanging toe is of het u niet langer van dienst kan zijn, gooi het dan niet bij het huishoudelijk afval. Zorg ervoor dat het product gescheiden kan worden ingezameld.



Door gebruikte producten en verpakkingen gescheiden in te zamelen, worden de materialen gerecycled en opnieuw gebruikt.

Hergebruik van gerecyclede materialen voorkomt milieuvuiling en vermindert de vraag naar grondstoffen.

Inzamelpunten voor gescheiden inzameling van elektrische huishoudproducten bij gemeentelijke vuilnisbergen of bij de verkoper waar u een nieuw product koopt, kunnen aan plaatselijke voorschriften gebonden zijn.

Black & Decker biedt de mogelijkheid tot inzamelen en recyclen van afgedankte Black & Decker producten. Om gebruik van deze service te maken, dient u het product aan een van onze servicecentra te sturen, die voor ons de inzameling verzorgen.

U kunt het adres van het dichtstbijzijnde servicecentrum opvragen via de adressen op de achterzijde van deze handleiding. U kunt ook een lijst van onze servicecentra en meer informatie m.b.t. onze klantenservice vinden op het volgende Internet-adres: **www.2helpU.com**

## Technische gegevens

	KA270	
Spanning	$V_{AC}$	230
Opgenomen vermogen	$W$	170
Oscillaties (onbelast)	$\text{min}^{-1}$	11.000
Schuurbewegingen (onbelast)	$\text{min}^{-1}$	22.000
Gewicht	$\text{kg}$	1,53

## EG-conformiteitsverklaring

KA270

Black & Decker verklaart dat deze producten in overeenstemming zijn met:

98/37/EEG, 89/336/EEG, EN 60745, EN 55014, EN 61000

$L_{pA}$  (geluidsdruk) 78 dB(A),  $L_{WA}$  (geluidsvermogen) 89 dB(A),  
gewogen kwadratische gemiddelde waarde van de versnelling  
8,8  $\text{m/s}^2$

$K_{pA}$  (meetonzekerheid geluidsdruk) 3 dB(A),

$K_{WA}$  (meetonzekerheid geluidsvermogen) 3 dB(A)



Kevin Hewitt  
Director of Consumer Engineering  
Spennymoor, County Durham DL16 6JG,  
Verenigd Koninkrijk  
1-5-2005

## Garantie

Black & Decker heeft vertrouwen in zijn producten en biedt een uitstekende garantie. Deze garantiebepalingen vormen een aanvulling op uw wettelijke rechten en beperken deze niet. De garantie geldt in de lidstaten van de Europese Unie en de Europese Vrijhandelsassociatie.

Mocht uw Black & Decker product binnen 24 maanden na datum van aankoop defect raken tengevolge van materiaal- of constructiefouten, dan garanderen wij de kosteloze vervanging van defecte onderdelen, de reparatie van het product of de vervanging van het product, tenzij:

- Het product is gebruikt voor handelsdoeleinden, professionele toepassingen of verhuurdoeleinden;
- Het product onoordeelkundig is gebruikt;
- Het product is beschadigd door invloeden van buitenaf of door een ongeval;
- Reparaties zijn uitgevoerd door anderen dan onze servicecentra of Black & Decker personeel.

Om een beroep op de garantie te doen, dient u een aankoopbewijs te overhandigen aan de verkoper of een van onze servicecentra. U kunt het adres van het dichtstbijzijnde servicecentrum opvragen via de adressen op de achterzijde van deze handleiding. U kunt ook een lijst van onze servicecentra en meer informatie m.b.t. onze klantenservice vinden op het volgende Internet-adres: **www.2helpU.com**

Meld u aan op onze website **www.blackanddecker.nl** om te worden geïnformeerd over nieuwe producten en speciale aanbiedingen. Verdere informatie over het merk Black & Decker en onze producten vindt u op **www.blackanddecker.nl**

## Finalidad

Su lijadora de Black & Decker ha sido diseñada para lijar madera, metal, plástico y superficies pintadas. Esta herramienta está pensada únicamente para uso doméstico.

## Normas de seguridad generales

**¡Atención!** Lea íntegramente estas instrucciones. En caso de no atenerse a las instrucciones de seguridad siguientes, ello puede dar lugar a una descarga eléctrica, incendio o lesión grave. El término "herramienta eléctrica" empleado en las advertencias indicadas a continuación se refiere a la herramienta eléctrica con alimentación de red (con cable) o alimentada por batería (sin cable).

GUARDE ESTAS INSTRUCCIONES EN UN LUGAR SEGURO.

### 1. Área de trabajo

#### a. Mantenga limpia y bien iluminada el área de trabajo.

El desorden y una iluminación deficiente en las áreas de trabajo pueden provocar accidentes.

#### b. No utilice la herramienta eléctrica en un entorno con peligro de explosión, en el que se encuentren combustibles líquidos, gases o material en polvo.

Las herramientas eléctricas producen chispas que pueden llegar a inflamar los materiales en polvo o vapores.

#### c. Mantenga alejados a los niños y otras personas del área de trabajo al emplear la herramienta eléctrica.

Una distracción le puede hacer perder el control sobre la herramienta.

### 2. Seguridad eléctrica

#### a. El enchufe de la herramienta eléctrica debe corresponder a la toma de corriente utilizada.

**No es admisible modificar el enchufe en forma alguna. No emplee adaptadores en herramientas eléctricas dotadas con una toma de tierra.** Los enchufes sin modificar adecuados a las respectivas tomas de corriente reducen el riesgo de una descarga eléctrica.

#### b. Evite que su cuerpo toque partes conectadas a tierra como tuberías, radiadores, cocinas y refrigeradores.

El riesgo a quedar expuesto a una sacudida eléctrica es mayor si su cuerpo tiene contacto con tierra.

#### c. No exponga las herramientas eléctricas a la lluvia y evite que penetren líquidos en su interior.

Existe el peligro de recibir una descarga eléctrica si penetran ciertos líquidos en la herramienta eléctrica.

#### d. Cuide el cable de alimentación. No utilice el cable de red para transportar o colgar la herramienta eléctrica, ni tire de él para sacar el enchufe de la toma de corriente. Mantenga el cable de red alejado del calor, aceite, bordes afilados o piezas móviles.

Los cables de red dañados o enredados pueden provocar una descarga eléctrica.

#### e. Al trabajar con la herramienta eléctrica en la intemperie utilice solamente cables de prolongación homologados para su uso en exteriores.

La utilización de un cable de prolongación adecuado para su uso en exteriores reduce el riesgo de una descarga eléctrica.

### 3. Seguridad personal

#### a. Esté atento a lo que hace y emplee la herramienta eléctrica con prudencia. No utilice la herramienta eléctrica si estuviese cansado, ni tampoco después de haber consumido alcohol, drogas o medicamentos.

El no estar atento durante el uso de una herramienta eléctrica puede provocar serias lesiones.

#### b. Utilice un equipo de protección y en todo caso unas gafas de protección.

El riesgo a lesionarse se reduce considerablemente si, dependiendo del tipo y la aplicación de la herramienta eléctrica empleada, se utiliza un equipo de protección adecuado como una mascarilla antipolvo, zapatos de seguridad con suela antideslizante, casco o protectores auditivos.

#### c. Evite una puesta en marcha accidental de la herramienta. Compruebe que el interruptor esté en la posición de apagado antes de enchufar la herramienta.

Transportar la herramienta eléctrica con el dedo sobre el interruptor o enchufarla con el interruptor encendido puede provocar accidentes.

#### d. Retire las herramientas de ajuste o llaves fijas antes de conectar la herramienta eléctrica.

Una herramienta o llave colocada en una pieza giratoria puede producir lesiones al ponerse a funcionar.

#### e. Sea precavido. Mantenga un apoyo firme sobre el suelo y conserve el equilibrio en todo momento.

Ello le permitirá controlar mejor la herramienta eléctrica en caso de presentarse una situación inesperada.

#### f. Lleve puesta una vestimenta de trabajo adecuada. No lleve vestidos anchos ni joyas.

**Mantenga su pelo, vestimenta y guantes alejados de las piezas móviles.** La vestimenta suelta, las joyas y el pelo largo se pueden enganchar con las piezas en movimiento.

#### g. Siempre que sea posible utilizar unos equipos de aspiración o captación de polvo, asegúrese que éstos estén montados y que sean utilizados correctamente.

El empleo de estos equipos reduce los riesgos derivados del polvo.

### 4. Uso y cuidado de herramientas eléctricas

#### a. No sobrecargue la herramienta eléctrica. Use la herramienta eléctrica prevista para el trabajo a realizar.

Con la herramienta eléctrica adecuada podrá trabajar mejor y más seguro dentro del margen de potencia indicado.

- b. No utilice herramientas eléctricas con un interruptor defectuoso.** Las herramientas eléctricas que no se puedan conectar o desconectar son peligrosas y deben hacerse reparar.
- c. Saque el enchufe de la red antes de realizar un ajuste en la herramienta eléctrica, cambiar de accesorio o al guardar la herramienta.** Esta medida preventiva reduce el riesgo de conectar accidentalmente la herramienta eléctrica.
- d. Guarde las herramientas eléctricas fuera del alcance de los niños y de las personas que no estén familiarizadas con su uso.** Las herramientas eléctricas utilizadas por personas inexpertas son peligrosas
- e. Cuide sus herramientas eléctricas con esmero. Controle si funcionan correctamente, sin atascarse, las partes móviles de la herramienta eléctrica, y si existen partes rotas o deterioradas que pudieran afectar al funcionamiento de la herramienta. Si la herramienta eléctrica estuviese defectuosa haga que la reparen antes de volver a utilizarla.** Muchos de los accidentes se deben a herramientas eléctricas con un mantenimiento deficiente.
- f. Mantenga las herramientas de corte limpias y afiladas.** Las herramientas de corte mantenidas correctamente se dejan guiar y controlar mejor.
- g. Utilice herramientas eléctricas, accesorios, útiles de herramienta, etc. de acuerdo con estas instrucciones y en la manera indicada específicamente para esta herramienta eléctrica. Considere en ello las condiciones de trabajo y la tarea a realizar.** El uso de herramientas eléctricas para trabajos diferentes de aquellos para los que han sido concebidas puede resultar peligroso.
- 5. Servicio técnico**
- a. Haga reparar su herramienta eléctrica sólo por personal técnico autorizado que emplee exclusivamente piezas de repuesto originales.** Solamente así se garantiza la seguridad de la herramienta eléctrica.

### Instrucciones de seguridad adicionales para lijadoras

- ◆ Preferiblemente use una mascarilla contra el polvo cuando esté lijando.
- ◆ Elimine a fondo todo el polvo después de lijar.
- ◆ Ponga cuidado cuando lije pinturas con posible contenido de plomo o algunos tipos de maderas y metales que puedan producir polvo tóxico.

- Lleve una mascarilla contra el polvo diseñada específicamente para proteger contra el polvo y las emanaciones de pinturas con plomo y asegúrese de que las demás personas próximas a la zona de trabajo también están protegidas.
  - No permita la entrada de niños o mujeres embarazadas a la zona de trabajo.
  - No coma, beba o fume en la zona de trabajo.
  - Deshágase de las partículas de polvo y demás residuos de un modo seguro.
- ◆ Antes de utilizar la herramienta con piezas de madera, asegúrese de instalar el cartucho para polvo.
  - ◆ Antes de utilizar la herramienta con piezas de metal, asegúrese de quitar el cartucho para polvo.
  - ◆ No use nunca la herramienta sin la hoja de lija.
  - ◆ No use nunca la herramienta sin la base de lijado.
  - ◆ Este aparato no ha sido concebido para ser utilizado por jóvenes ni personas enfermas sin supervisión. Debe vigilarse a los niños para asegurarse de que no jueguen con el aparato.
  - ◆ Si el cable eléctrico está estropeado, debe ser sustituido por el fabricante o un servicio técnico autorizado de Black & Decker con el fin de evitar accidentes.

### Seguridad eléctrica



La herramienta lleva un doble aislamiento; por lo tanto no requiere una toma a tierra. Compruebe siempre que la tensión de la red corresponda con el valor indicado en la placa de datos.

### Características

Esta herramienta incluye alguna o todas las características siguientes.

1. Conmutador ON/OFF (encendido/apagado)
2. Agarre confortable gelificado (KA270GT(K) sólo)
3. Cartucho para polvo
4. Base de lijado para detalles grandes
5. Portapunta
6. Punta de la base de lijado

### Fig. A

7. Base de lijado de órbita aleatoria
8. Accesorio para perfiles (KA270(GT)K sólo)
9. Perfiles de lijado (KA270(GT)K sólo)
10. Accesorio de dedo para detalles (KA270(GT)K sólo)
11. Punta de repuesto de la base de lijado (KA270(GT)K sólo)
12. Accesorio de persiana (KA270LDK sólo)



## Montaje

**¡Atención!** Antes de proceder al montaje, compruebe que la herramienta está apagada y desenchufada.

### Base de lijado de órbita aleatoria

Con esta base de lijado, puede utilizar la herramienta como lijadora orbital aleatoria.

#### Colocación y retirada de la base de lijado (fig. B)

- ◆ Coloque la base de lijado (7) sobre el husillo (13).
- ◆ Coloque la arandela (14) sobre el husillo.
- ◆ Inserte el tornillo Allen (15) en el orificio del tornillo en el husillo.
- ◆ Apriete el tornillo Allen con la llave Allen (16) suministrada.
- ◆ Para retirar la base de lijado, saque el tornillo Allen (15) y la arandela (14).

#### Colocación de las hojas de lija (fig. C)

- ◆ Sujete la herramienta con la base de lijado (7) orientada hacia arriba.
- ◆ Coloque la hoja de lija (17) sobre la base de lijado (7). No es necesario alinear los orificios de la hoja con los de la base.

### Base de lijado para detalles grandes

Con esta base de lijado, puede utilizar la herramienta como lijadora de detalles o como lijadora orbital.

#### Colocación y retirada de la base de lijado (fig. D & E)

Para lijar con detalle, el extremo en punta debe estar orientado hacia adelante, tal como se muestra en la fig. D. Para lijar grandes superficies, el extremo en punta debe estar orientado hacia atrás, tal como se muestra en la fig. E.

- ◆ Coloque la base de lijado (4) sobre el husillo (13). Asegúrese de que las patas de la base se encajan dentro de la herramienta.
- ◆ Coloque la arandela (14) sobre el husillo.
- ◆ Inserte el tornillo Allen (15) en el orificio del tornillo en el husillo.
- ◆ Apriete el tornillo Allen con la llave Allen (16) suministrada.
- ◆ Para retirar la base de lijado, saque el tornillo Allen (15) y la arandela (14).

#### Colocación de las hojas de lija (fig. F)

- ◆ Separe las dos puntas en forma de diamante (18) de la hoja de lija (19).
- ◆ Sujete la herramienta con la base de lijado orientada hacia arriba.

- ◆ Coloque la hoja de lija (19) sobre la base de lijado, y asegúrese de que los orificios de la hoja de lija coincidan con los de la base de lijado.

Se pueden invertir y sustituir las puntas en forma de diamante (18) cuando estén desgastadas.

- ◆ Cuando la parte frontal de la punta esté desgastada, sáquela de la hoja, inviértala y presiónela sobre la base de lijado de nuevo.
- ◆ Cuando esté desgastada toda la punta, retírela de la base de lijado y coloque una nueva.

#### Punta de la base de lijado (fig. G)

Cuando esté desgastada la punta de la base de lijado (6), es posible darle la vuelta o sustituirla. Cuando el portapunta (5) esté desgastado, puede sustituirse. Su distribuidor Black & Decker dispone de piezas de repuesto.

- ◆ Retire el tornillo (20).
- ◆ Invierta o cambie la pieza gastada.
- ◆ Coloque y apriete el tornillo.

#### Accesorio de dedo (fig. H)

El accesorio en forma de dedo se usa para un lijado fino de detalles.

- ◆ Retire el tornillo (20).
- ◆ Retire el portapunta en forma de diamante (5) de la base de lijado.
- ◆ Coloque el accesorio de dedo (10) en la base de lijado.
- ◆ Coloque y apriete el tornillo.
- ◆ Coloque la hoja de lija adecuada (21) sobre el accesorio de dedo.

#### Accesorio para perfiles

El accesorio para perfiles se utiliza para lijar contornos.

#### Colocación del accesorio para perfiles (fig. I)

- ◆ Retire el tornillo (20).
- ◆ Retire el portapunta en forma de diamante (5) de la base de lijado.
- ◆ Coloque el accesorio para perfiles (8) en la base de lijado.
- ◆ Coloque y apriete el tornillo.

#### Colocación y retirada de un perfil de lijado (fig. J1 & J2)

- ◆ Elija el perfil de lijado que sea más adecuado para el trabajo va a realizar.
- ◆ Coloque un extremo del perfil de lijado (9) dentro del rebaje del extremo delantero del accesorio para perfiles (8).
- ◆ Empuje el otro extremo del perfil de lijado hasta que encaje en su posición haciendo clic.
- ◆ Para retirar el perfil de lijado (9), empújelo hacia delante y extraiga el extremo posterior del accesorio para perfiles (8).

## Colocación de una hoja de lija en un perfil de lijado (fig. K)

- ◆ Alinee la hoja de lija (22) con el perfil de lijado (9).
- ◆ Presione la hoja de lija sobre el perfil de lijado, asegurándose de que la hoja de lija sigue la forma del perfil.

## Accesorio de persiana (fig. L & M)

Con el accesorio de persiana puede trabajar en ranuras.

- ◆ Retire el tornillo (20).
- ◆ Retire el portapunta en forma de diamante (5) de la base de lijado.
- ◆ Coloque accesorio de persiana (12) en la base de lijado.
- ◆ Coloque y apriete el tornillo.
- ◆ Coloque la hoja de papel de lija adecuada (23) sobre el accesorio de persiana.

La pieza adicional del sujetador de velcro (24) puede fijarse a la superficie superior del accesorio de persiana (12) para permitir el lijado empleando ambos lados.

- ◆ Retire el papel de soporte del sujetador de velcro (24).
- ◆ Pegue el sujetador de velcro a la superficie superior del accesorio de persiana.
- ◆ Fije la pieza de lijado (23) al sujetador de velcro.

## Uso

**¡Atención!** Deje que la herramienta funcione a su ritmo.

No lo sobrecargue.

**¡Atención!** Cuando utilice la herramienta no tape las ranuras de ventilación. Sujete la herramienta tal como se indica en la fig. Q. Asegúrese de que la base de lijado esté plana sobre la pieza de trabajo.

## Encendido y apagado (fig. N)

- ◆ Para poner en marcha la herramienta, coloque el conmutador On/Off (1) en la posición I.
- ◆ Para desconectar la herramienta, coloque el conmutador On/Off en la posición O.

## Sistema automático de freno (ABS)

Esta herramienta dispone de un sistema automático de freno. Cuando la herramienta no está sobre la superficie de trabajo, esta característica mantiene la velocidad del disco por debajo de la velocidad del motor. Cuando la máquina se apaga, el disco se detiene muy rápidamente.

## Vaciado del cartucho para polvo (fig. O & P)

El cartucho para polvo debe vaciarse cada 10 minutos de uso.

- ◆ Tire del cartucho para polvo (3) hacia atrás para sacarlo de la herramienta.
- ◆ Retire la tapa (25) girándola en el sentido contrario a las agujas del reloj.

- ◆ Sujete el cartucho para polvo con el filtro (26) orientado hacia abajo y agítelo para vaciar su contenido. Sacuda la tapa para vaciar su contenido.
- ◆ Vuelva a colocar la tapa (25) en el cartucho para polvo, girándola en el sentido de las agujas del reloj hasta que encaje en su posición.
- ◆ Vuelva a instalar el cartucho para polvo en la herramienta.

## Limpieza del filtro del cartucho para polvo

El filtro del cartucho para polvo es reutilizable y debe limpiarse periódicamente.

- ◆ Vacíe el cartucho para polvo (3) como se ha descrito anteriormente.
- ◆ Tire del filtro (26) para sacarlo del cartucho para polvo.
- ◆ Sacuda el exceso de polvo sacudiendo el filtro en un cubo de basura.

**¡Atención!** No lo cepille ni use aire comprimido, u objetos afilados, para limpiar el filtro. No lave el filtro.

- ◆ Vuelva a colocar el filtro.
- ◆ Vuelva a colocar la tapa.
- ◆ Vuelva a instalar el cartucho para polvo en la herramienta.

## Consejos para un uso óptimo

- ◆ Para mayor comodidad del usuario, la herramienta puede manejarse con una o dos manos (fig. Q). No ponga las manos sobre las ranuras de ventilación.
- ◆ No ejerza demasiada presión sobre la herramienta.
- ◆ Compruebe, periódicamente, el estado de la hoja de lija. Sustitúyala cuando sea necesario.
- ◆ Lije siempre en el sentido de la veta de la madera.
- ◆ Para lijar capas de pintura nuevas antes de aplicar otra capa, utilice un papel de lija de grano extrafino.
- ◆ En superficies muy desiguales o cuando vaya a quitar capas de pintura, comience con un papel de lija de grano grueso. Sobre otras superficies, comience con un papel de lija de grano medio. En ambos casos, cambie gradualmente a un papel de lija de grano fino para lograr un buen acabado.
- ◆ Consulte a su proveedor para obtener más información sobre los accesorios que están a la venta.

## Mantenimiento

La herramienta ha sido diseñada para que funcione durante un largo período de tiempo con un mantenimiento mínimo.

El funcionamiento satisfactorio continuado depende de un cuidado apropiado y una limpieza periódica.

- ◆ Limpie las rejillas y ranuras de ventilación con un cepillo de pintar seco y limpio.
- ◆ Limpie periódicamente la carcasa con un paño húmedo y limpio. No use disolventes.

## Protección del medio ambiente



Separación de desechos. Este producto no debe desecharse con la basura doméstica normal.

Si llega el momento de reemplazar su producto Black & Decker o éste ha dejado de tener utilidad para usted, no lo deseche con la basura doméstica normal. Asegúrese de que este producto se deseche por separado.



La separación de desechos de productos usados y embalajes permite que los materiales puedan reciclarse y reutilizarse. La reutilización de materiales reciclados ayuda a evitar la contaminación medioambiental y reduce la demanda de materias primas.

La normativa local puede prever la separación de desechos de productos eléctricos de uso doméstico en centros municipales de recogida de desechos o a través del distribuidor cuando adquiere un nuevo producto.

Black & Decker proporciona facilidades para la recogida y el reciclado de los productos Black & Decker que hayan llegado al final de su vida útil. Para hacer uso de este servicio, devuelva su producto a cualquier servicio técnico autorizado, que lo recogerá en nuestro nombre.

Pueden consultar la dirección de su servicio técnico más cercano poniéndose en contacto con la oficina local de Black & Decker en la dirección que se indica en este manual. Como alternativa, puede consultar en Internet la lista de servicios técnicos autorizados e información completa de nuestros servicios de posventa y contactos en la siguiente dirección: [www.2helpU.com](http://www.2helpU.com)

### Características técnicas

	KA270	
Voltaje	$V_{AC}$	230
Potencia absorbida	W	170
Oscilaciones (sin carga)	$\text{min}^{-1}$	11.000
Órbitas (sin carga)	$\text{min}^{-1}$	22.000
Peso	kg	1,53

## Declaración de conformidad CE

KA270

Black & Decker declara que estos productos cumplen las normas siguientes:

98/37/CEE, 89/336/CEE, EN 60745, EN 55014, EN 61000

$L_{pA}$  (presión acústica) 78 dB(A),  $L_{WA}$  (potencia acústica) 89 dB(A), vibraciones soportadas en mano/brazo 8,8 m/s<sup>2</sup>

$K_{pA}$  (incertidumbre de presión acústica) 3 dB(A),  
 $K_{WA}$  (incertidumbre de potencia acústica) 3 dB(A)

Kevin Hewitt  
 Director de Ingeniería del Consumidor  
 Spennymoor, County Durham DL16 6JG,  
 Reino Unido  
 1-5-2005

## Garantía

Black & Decker confía plenamente en la calidad de sus productos y ofrece una garantía extraordinaria. Esta declaración de garantía es una añadida, y en ningún caso un perjuicio para sus derechos estatutarios. La garantía es válida dentro de los territorios de los Estados Miembros de la Unión Europea y de los de la Zona Europea de Libre Comercio.

Si un producto Black & Decker resultará defectuoso debido a materiales o mano de obra defectuosos o a la falta de conformidad, Black & Decker garantiza, dentro de los 24 meses de la fecha de compra, la sustitución de las piezas defectuosas, la reparación de los productos sujetos a un desgaste y rotura razonables o la sustitución de tales productos para garantizar al cliente el mínimo de inconvenientes, a menos que:

- ◆ El producto haya sido utilizado con propósitos comerciales, profesionales o de alquiler;
- ◆ El producto haya sido sometido a un uso inadecuado o negligente;
- ◆ El producto haya sufrido daños causados por objetos o sustancias extrañas o accidentes;
- ◆ Se hayan realizado reparaciones por parte de personas que no sean los servicios de reparación autorizados o personal de servicios de Black & Decker;

Para reclamar en garantía, será necesario que presente la prueba de compra al vendedor o al servicio técnico de reparaciones autorizado. Pueden consultar la dirección de su servicio técnico más cercano poniéndose en contacto con la oficina local de Black & Decker en la dirección que se indica en este manual. Como alternativa, se puede consultar en Internet, en la dirección siguiente, la lista de servicios técnicos autorizados e información completa de nuestros servicios de postventa y contactos: [www.2helpU.com](http://www.2helpU.com)

## ESPAÑOL

Visite nuestro sitio web **[www.blackanddecker.com](http://www.blackanddecker.com)** para registrar su nuevo producto Black & Decker y mantenerse al día sobre nuestros productos y ofertas especiales. Encontrará información adicional sobre la marca Black & Decker y nuestra gama de productos en **[www.blackanddecker.com](http://www.blackanddecker.com)**

## Utilização

A sua lixadora Black & Decker foi projectada para lixar madeira, metal, plástico e superfícies pintadas. Esta ferramenta destina-se apenas ao doméstico.

## Regras gerais de segurança

**Advertência!** Leia todas as instruções. O não cumprimento das instruções a seguir podem causar choque eléctrico, incêndio e/ou graves lesões. O termo “ferramenta eléctrica” utilizado a seguir refere-se a ferramentas eléctricas com ligação à corrente eléctrica (com fios) ou operadas a bateria (sem fios). **GUARDE BEM ESTAS INSTRUÇÕES.**

### 1. Área de trabalho

- Mantenha a sua área de trabalho limpa e arrumada.** Desordem e áreas de trabalho com fraca iluminação podem causar acidentes.
- Não trabalhar com a ferramenta eléctrica em áreas com risco de explosão, nas quais se encontrem líquidos, gases ou pós inflamáveis.** Ferramentas eléctricas produzem faíscas que podem provocar a ignição de pó e vapores.
- Mantenha crianças e outras pessoas afastadas da ferramenta eléctrica durante o trabalho com a ferramenta.** Distracções podem causar a falta de controlo sobre a ferramenta.

### 2. Segurança eléctrica

- A ficha da ferramenta eléctrica deve caber na tomada. A ficha não deve ser modificada de modo algum. Não utilize quaisquer fichas de adaptação junto com ferramentas eléctricas ligadas à terra.** Fichas sem modificações e tomadas adequadas reduzem o risco de choques eléctricos.
- Evite que o corpo entre em contacto com superfícies ligadas à terra, como por exemplo tubos, radiadores, fogões e frigoríficos.** Há um risco elevado de choques eléctricos, caso o corpo seja ligado à terra.
- A ferramenta eléctrica não deve ser exposta à chuva nem humidade.** A penetração de água na ferramenta eléctrica aumenta o risco de choques eléctricos.
- Manuseie o fio com cuidado. O cabo da ferramenta não deve ser utilizado para o transporte, para pendurar a ferramenta, nem para puxar a ficha da tomada. Mantenha o cabo afastado de calor, óleo, cantos afiados ou partes em movimento da ferramenta.** Cabos danificados ou torcidos aumentam o risco de choques eléctricos.
- Ao trabalhar com a ferramenta eléctrica ao ar livre, use um cabo de extensão apropriado para áreas externas.** O uso de um cabo apropriado para áreas externas reduz o risco de choques eléctricos.

### 3. Segurança pessoal

- Esteja alerta, observe o que está a fazer, e tenha prudência ao trabalhar com a ferramenta eléctrica. Não use a ferramenta eléctrica se estiver cansado ou sob a influência de drogas, álcool ou medicamentos.** Um momento de falta de atenção durante a operação da ferramenta eléctrica pode causar graves lesões.
  - Usar um equipamento pessoal de protecção. Utilizar sempre óculos de protecção.** Equipamento de segurança, como por exemplo, máscara de protecção contra pó, sapatos de segurança anti-derrapantes, capacete de segurança ou protecção auricular, de acordo com o tipo e aplicação da ferramenta eléctrica, reduz o risco de lesões.
  - Evite um accionamento involuntário. Assegure-se de que o interruptor está na posição de desligado antes de o ligar.** O transporte de ferramentas eléctricas com o dedo no interruptor ou a ligação das mesmas que tenham o interruptor ligado provoca acidentes.
  - Remover chaves de ajustes ou chaves de fenda, antes de ligar a ferramenta eléctrica.** Uma chave de fenda ou chave de ajuste que se encontre numa parte móvel da ferramenta, pode levar a lesões.
  - Não se sobrestime. Mantenha-se sempre bem posicionado e em equilíbrio.** Desta forma poderá ser mais fácil controlar a ferramenta em situações inesperadas.
  - Use vestuário apropriado. Não use roupa larga ou jóias. Mantenha o cabelo, roupa e luvas afastadas de partes em movimento.** Roupas largas, jóias ou cabelos longos podem ser agarradas por partes em movimento.
  - Se for prevista a montagem de dispositivos de aspiração de pó e de dispositivos de recolha, assegure-se de que estão ligados e que são utilizados de forma correcta.** A utilização destes dispositivos reduz os riscos provocados por pó.
- ### 4. Utilização e manutenção da ferramenta eléctrica
- Não sobrecarregue a ferramenta eléctrica. Use para o seu trabalho a ferramenta eléctrica correcta.** A ferramenta correcta realizará o trabalho de forma melhor e mais segura dentro da potência indicada.
  - Não utilize a ferramenta eléctrica se o interruptor não puder ser ligado nem desligado.** Qualquer ferramenta eléctrica que não possa ser controlada através do interruptor de ligar-desligar é perigosa e deve ser reparada.
  - Desligue a ficha da tomada antes de efectuar ajustes na ferramenta, substituir acessórios ou armazenar a ferramenta eléctrica.** Esta medida de segurança evita que a ferramenta eléctrica seja ligada acidentalmente.

- d. Mantenha as ferramentas eléctricas que não estiverem a ser utilizadas fora do alcance de crianças. Não permita que a ferramenta seja utilizada por pessoas não familiarizadas com a mesma ou que não tenham lido estas instruções.** As ferramentas eléctricas são perigosas se utilizadas por pessoas não qualificadas.
- e. Trate a sua ferramenta eléctrica com cuidado. Verifique se as partes móveis da ferramenta funcionam perfeitamente e não emperram, se há peças quebradas ou danificadas, que possam influenciar o funcionamento da ferramenta. As peças danificadas devem ser reparadas antes da utilização da ferramenta.** Muitos acidentes têm como causa uma manutenção insuficiente das ferramentas eléctricas.
- f. Mantenha as ferramentas de corte sempre afiadas e limpas.** Ferramentas de cortes devidamente tratadas, com cantos afiados travam com menos frequência e podem ser controladas com maior facilidade.
- g. Use a ferramenta eléctrica, os acessórios e as brocas da ferramenta etc., de acordo com estas instruções e da maneira determinada para este tipo especial de ferramenta eléctrica. Considere também as condições de trabalho e o trabalho a ser efectuado.**

A utilização da ferramenta eléctrica para outros fins que os previstos pode resultar em situações perigosas.

## 5. Reparação

- a. A sua ferramenta eléctrica só deve ser reparada por pessoal qualificado e só devem ser colocadas peças sobressalentes originais.** Desta forma é assegurada a segurança da ferramenta eléctrica.

## Instruções adicionais de segurança para lixadoras

- ◆ Utilize preferivelmente uma máscara para poeira quando estiver a lixar.
- ◆ Remova completamente toda a poeira após lixar.
- ◆ Tome um cuidado especial quando lixar pintura que possa conter chumbo ou quando lixar madeiras ou metais que possam produzir poeira tóxica:
  - Utilize uma máscara para poeira especificamente desenhada para protecção contra poeira e vapores de pintura com chumbo e assegure-se de que as pessoas que estejam na área de trabalho ou que entrem nesta também estejam protegidas.
  - Não permita que crianças ou mulheres grávidas entrem na área de trabalho.
  - Não coma, beba ou fume na área de trabalho.
  - Jogue fora as partículas de poeira e os detritos de maneira segura.

- ◆ Antes de utilizar a ferramenta em peças de madeira, não se esqueça de colocar o compartimento do saco de pó.
- ◆ Antes de utilizar a ferramenta em peças metálicas, não se esqueça de remover o compartimento do saco de pó.
- ◆ Nunca utilize a ferramenta sem uma folha de lixa.
- ◆ Nunca utilize a ferramenta sem uma base de lixar.
- ◆ Este aparelho não se destina a ser utilizado por jovens nem por pessoas enfermas sem supervisão. As crianças deverão ser vigiadas para que não mexam no aparelho.
- ◆ Se o cabo de alimentação estiver danificado, deverá ser substituído pelo fabricante ou por um Centro de Assistência autorizado pela Black & Decker, de modo a evitar perigos.

## Segurança eléctrica



Esta ferramenta está duplamente isolada, pelo que não necessita de fio de terra. Certifique-se sempre de que o fornecimento de energia corresponde à tensão indicada na placa de identificação.

## Características

Esta ferramenta inclui algumas ou todas as seguintes características.

1. Interruptor de ligar/desligar
2. Garra macia de gel (apenas KA270GT[K])
3. Compartimento do saco de pó
4. Base de lixar para grandes detalhes
5. Suporte da ponta
6. Ponta da base de lixar
7. Base de lixar de órbita aleatória
8. Ferramenta de perfis (apenas KA270[GT]K)
9. Perfis de lixar (apenas KA270[GT]K)
10. Ferramenta de detalhes (apenas KA270[GT]K)
11. Ponta da base de lixar sobressalente (apenas KA270[GT]K)
12. Dispositivo de alhetas (apenas KA270LDK)

## Fig. A

7. Base de lixar de órbita aleatória
8. Ferramenta de perfis (apenas KA270[GT]K)
9. Perfis de lixar (apenas KA270[GT]K)
10. Ferramenta de detalhes (apenas KA270[GT]K)
11. Ponta da base de lixar sobressalente (apenas KA270[GT]K)
12. Dispositivo de alhetas (apenas KA270LDK)

## Montagem

**Advertência!** Antes da montagem, certifique-se de que a ferramenta está desligada da corrente eléctrica.

### Base de lixar de órbita aleatória

Com esta base de lixar pode utilizar a ferramenta como uma lixadeira de órbita aleatória.

### Colocação e remoção da base de lixar (fig. B)

- ◆ Coloque a base de lixar (7) no fuso (13).
- ◆ Coloque a anilha (14) no fuso.

- ◆ Introduza o parafuso Allen (15) no orifício do parafuso no fuso.
- ◆ Aperte o parafuso Allen utilizando a chave Allen (16) fornecida.
- ◆ Para remover a base de lixar, remova o parafuso Allen (15) e a anilha (14).

#### Instalação das folhas de lixa (fig. C)

- ◆ Segura na ferramenta com a base de lixar (7) virada para cima.
- ◆ Coloque a folha de lixa (17) na base de lixar (7).  
Os orifícios da folha não necessitam de estar alinhados com os orifícios da base.

#### Base de lixar para grandes detalhes

Com esta base pode utilizar a ferramenta como uma lixadora de detalhes ou como uma lixadora orbital.

#### Colocação e remoção da base de lixar (fig. D & E)

Para lixar detalhes, a extremidade aguçada deverá estar virada para a frente como mostrado na fig. D. Para lixar grandes áreas, a extremidade aguçada deverá estar virada para trás como mostrado na fig. E.

- ◆ Coloque a base de lixar (4) no fuso (13). Certifique-se de que os suportes da base estão colocados na ferramenta.
- ◆ Coloque a anilha (14) no fuso.
- ◆ Introduza o parafuso Allen (15) no orifício do parafuso no fuso.
- ◆ Aperte o parafuso Allen utilizando a chave Allen (16) fornecida.
- ◆ Para remover a base de lixar, remova o parafuso Allen (15) e a anilha (14).

#### Instalação das folhas de lixa (fig. F)

- ◆ Retire as duas pontas em forma de diamante (18) da folha de lixa (19).
- ◆ Segure a ferramenta com a base de lixar virada para cima.
- ◆ Posicione a folha de lixa (19) na base de lixar, assegurando-se de que os orifícios da folha ficam alinhadas com os orifícios da base.

A ponta em forma de diamante (18) pode ser invertida e substituída quando gasta.

- ◆ Quando a parte frontal da ponta estiver gasta, retire-a da folha, inverta-a e coloque-a novamente na base de lixar.
- ◆ Quanto a ponta estiver completamente gasta, retire-a da base de lixar e coloque uma nova.

#### Ponta da base de lixar (fig. G)

Quando a ponta da base de lixar (6) estiver gasta, pode ser invertida ou substituída. Quando o suporte da ponta (5) estiver gasto, pode ser substituído. As peças sobressalentes estão disponíveis no seu agente Black & Decker.

- ◆ Remova o parafuso (20).
- ◆ Inverta ou substitua a peça gasta.
- ◆ Coloque e aperte o parafuso.

#### Ferramenta de detalhes (fig. H)

A ferramenta de detalhes é utilizada para lixar pequenos detalhes.

- ◆ Remova o parafuso (20).
- ◆ Remova o suporte da ponta (5) em forma de diamante da base de lixar.
- ◆ Coloque a ferramenta para detalhes (10) na base de lixar.
- ◆ Coloque e aperte o parafuso.
- ◆ Coloque a folha de lixa adequada (21) na ferramenta de detalhes.

#### Ferramenta de perfis

A ferramenta de perfis é utilizada para o lixamento de contornos.

#### Colocação da ferramenta de perfis (fig. I)

- ◆ Remova o parafuso (20).
- ◆ Remova o suporte da ponta (5) em forma de diamante da base de lixar.
- ◆ Coloque a ferramenta de perfis (8) na base de lixar.
- ◆ Coloque e aperte o parafuso.

#### Colocação e remoção de um perfil de lixar (fig. J1 & J2)

- ◆ Escolha o perfil de lixar mais adequado à sua aplicação.
- ◆ Coloque uma extremidade do perfil de lixar (9) na ranhura na extremidade frontal da ferramenta de perfis (8).
- ◆ Empurre a outra extremidade do perfil de lixar até que este faça clique.
- ◆ Para remover o perfil de lixar (9), empurre-o para a frente e retire a extremidade traseira da ferramenta de perfis (8).

#### Colocação de uma folha de lixa num perfil de lixar (fig. K)

- ◆ Alinhe a folha de lixa (22) com o perfil de lixar (9).
- ◆ Pressione a folha de lixa contra o perfil de lixar, assegurando-se de que a folha de lixa segue a forma do perfil.

#### Dispositivo de alhetas (fig. L & M)

Com o dispositivo de alhetas pode trabalhar em fendas.

- ◆ Remova o parafuso (20).
- ◆ Remova o suporte da ponta (5) em forma de diamante da base de lixar.
- ◆ Coloque o dispositivo de alhetas (12) na base de lixar.
- ◆ Coloque e aperte o parafuso.
- ◆ Coloque a folha de lixa adequada (23) no dispositivo de alhetas.

O fixador de velcro (24) adicional pode ser aplicado na superfície superior do dispositivo de alhetas (12) para permitir o lixamento com ambos os lados.

- ◆ Remova o papel de protecção do fixador de velcro (24).
- ◆ Cole o fixador de velcro na superfície superior do dispositivo para alhetas.
- ◆ Coloque a lixa (23) no fixador de velcro.

## Utilização

**Advertência!** Deixe que a ferramenta funcione à vontade. Não o sobrecarregue.

**Advertência!** Não tape as ranhuras de ventilação durante a utilização da ferramenta. Segure a ferramenta como mostrado na fig. Q. Certifique-se que a base de lixar fica nivelada sobre a peça de trabalho.

### Como ligar e desligar o aparelho (fig. N)

- ◆ Para desligar o aparelho, coloque o interruptor de ligar/desligar (1) na posição I.
- ◆ Para desligá-lo, coloque o interruptor na posição O.

### Sistema de travagem automática (ABS)

Esta ferramenta tem um sistema de travagem automática. Quando a ferramenta não estiver na superfície de trabalho, esta função permite manter a velocidade do disco abaixo da velocidade do motor. Quando a ferramenta é desligada, o disco pára rapidamente.

### Esvaziamento do compartimento do saco de pó (fig. O & P)

Deve-se esvaziar o saco de pó a cada 10 minutos.

- ◆ Puxe o compartimento do saco de pó (3) para trás até que se desencaixe da ferramenta.
- ◆ Remova a tampa (25) rodando-a para a esquerda.
- ◆ Segure o compartimento do saco de pó com o filtro (26) virado para baixo e abane-o para esvaziar. Sacuda a tampa para retirar o conteúdo.
- ◆ Volte a colocar a tampa (25) no compartimento do saco de pó, rodando-a para a direita até fixar em posição.
- ◆ Volte a colocar o compartimento do saco de pó na ferramenta.

### Limpeza do filtro do compartimento do saco de pó

O filtro do compartimento do saco de pó é reutilizável e deve ser limpo regularmente.

- ◆ Esvazie o compartimento do saco de pó (3) como descrito acima.
- ◆ Puxe o filtro (26) para fora do compartimento do saco de pó.
- ◆ Retire o excesso de pó batendo levemente com o filtro dentro de um balde do lixo.

**Advertência!** Não escove nem utilize ar comprimido ou objectos afiados para limpar o filtro. Não lave o filtro.

- ◆ Volte a colocar o filtro.
- ◆ Volte a colocar a tampa.
- ◆ Volte a colocar o compartimento do saco de pó na ferramenta.

### Sugestões para uma melhor utilização

- ◆ Para conforto do utilizador, a ferramenta pode ser trabalhada com uma ou duas mãos (fig. Q). Não coloque as mãos nas ranhuras de ventilação.
- ◆ Não exerça demasiada pressão na ferramenta.
- ◆ Verifique regularmente o estado de conservação da folha de lixa. Substitua-a quando necessário.
- ◆ Lixe sempre com a granulação da madeira.
- ◆ Quando estiver a lixar novas camadas de tinta antes de aplicar outra camada, utilize granulação extrafina.
- ◆ Em superfícies muito irregulares ou para remover camadas de pintura, comece com uma granulação grossa. Em outras superfícies, comece com uma granulação média. Em ambos os casos, troque gradualmente para uma granulação fina para um acabamento liso.
- ◆ Consulte o seu fornecedor para obter mais informação sobre os acessórios disponíveis.

## Manutenção

Esta ferramenta foi desenvolvida para funcionar por um longo período, com o mínimo de manutenção. O funcionamento contínuo e satisfatório depende da limpeza regular e da manutenção adequada.

- ◆ Limpe as ventoinhas e as ranhuras com um pincel limpo e seco.
- ◆ Limpe o compartimento utilizando um pano limpo e húmido. Não utilize solventes.

## Protecção do meio ambiente



Recolha em separado. Não deve deitar este produto fora juntamente com o lixo doméstico normal.

Caso chegue o momento em que um dos seus produtos Black & Decker precise de ser substituído ou decida desfazer-se do mesmo, não o deite fora juntamente com o lixo doméstico. Torne este produto disponível para uma recolha em separado.



A recolha em separado de produtos e embalagens utilizados permite que os materiais sejam reciclados e reutilizados. A reutilização de materiais reciclados ajuda a evitar a poluição ambiental e a reduzir a procura de matérias-primas.



Os regulamentos locais poderão providenciar a recolha em separado de produtos eléctricos junto das casas, em lixeiras municipais ou junto dos fornecedores ao adquirir um novo produto.

A Black & Decker oferece um serviço de recolha e reciclagem de produtos Black & Decker que tenha atingido o fim das suas vidas úteis. Para tirar proveito deste serviço, devolva seu produto a qualquer agente de reparação autorizado, que se encarregará de recolher o equipamento em nosso nome.

Para verificar a localização do agente de reparação mais próximo de si, contacte o escritório local da Black & Decker no endereço indicado neste manual. Se preferir, consulte a lista de agentes autorizados da Black & Decker e os dados completos dos nossos serviços de atendimento pós-venda na Internet no endereço: [www.2helpU.com](http://www.2helpU.com)

#### Dados técnicos

		KA270
Voltagem	$V_{AC}$	230
Potência	$W$	170
Oscilações (sem carga)	$\text{min}^{-1}$	11.000
Órbitas (sem carga)	$\text{min}^{-1}$	22.000
Peso	$\text{kg}$	1,53

#### Declaração de conformidade CE

KA270

A Black & Decker declara que estes produtos estão em conformidade com a:  
89/37/CEE, 89/336/CEE, EN 60745, EN 55014, EN 61000

$L_{PA}$  (pressão acústica) 78 dB(A),  $L_{WA}$  (potência acústica) 89 dB(A), vibração medida da mão/braço de 8,8  $\text{m/s}^2$

$K_{PA}$  (imprecisão da pressão acústica) 3 dB(A),  
 $K_{WA}$  (imprecisão da potência acústica) 3 dB(A)



Kevin Hewitt  
Director de Engenharia do Consumo  
Spennymoor, County Durham DL16 6JG,  
Reino Unido  
1-5-2005

Caso algum produto da Black & Decker apresente avarias devido a defeitos de material, mão-de-obra ou ausência de conformidade no prazo de 24 meses a partir da data de compra, a Black & Decker garantirá a substituição das peças defeituosas, a reparação dos produtos que foram submetidos a uso adequado e remoção ou substituição dos mesmos para assegurar o mínimo de inconvenientes ao cliente a menos que:

- ◆ O produto tenha sido utilizado para fins comerciais, profissionais ou aluguer;
- ◆ O produto tenha sido submetido a uso incorrecto ou descuido;
- ◆ O produto tenha sofrido danos causados por objectos estranhos, substâncias ou acidentes;
- ◆ Tenha um histórico de reparações efectuadas por terceiros que não sejam os agentes autorizados ou profissionais de manutenção da Black & Decker.

Para activar a garantia, será necessário enviar a prova de compra ao revendedor ou agente de reparação autorizado. Para verificar a localização do agente de reparação mais próximo de si contacte o escritório local da Black & Decker no endereço indicado neste manual. Se preferir, consulte a lista de agentes autorizados da Black & Decker e os dados completos de nossos serviços de atendimento pós-venda na Internet no endereço: [www.2helpU.com](http://www.2helpU.com)

Visite o nosso website [www.blackanddecker.com](http://www.blackanddecker.com) para registar o seu novo produto Black & Decker e para se manter actualizado sobre novos produtos e ofertas especiais. Estão disponíveis mais informações sobre a Black & Decker e sobre a nossa gama de produtos em [www.blackanddecker.com](http://www.blackanddecker.com)

#### Garantia

A Black & Decker confia na qualidade de seus produtos e oferece um programa de garantia excelente. Esta declaração de garantia soma-se aos seus direitos legais e não os prejudica em nenhum aspecto. A garantia será válida nos territórios dos Estados Membros da União Europeia e na Área de Livre Comércio da Europa.

## Användningsområde

Denna Black & Decker slipmaskin är avsedd för slipning av trä, metall, plast och målade ytor.

Verktyget är endast avsett som konsumentverktyg.

## Allmänna säkerhetsregler

**Varning!** Samtliga anvisningar ska läsas. Fel som uppstår till följd av att anvisningarna nedan inte följts kan orsaka elchock, brand och/eller allvarliga kroppsskador. Nedan använt begrepp "Elverktyg" hänför sig till nätdrivna elverktyg (med nätsladd) och till batteridrivna elverktyg (sladdlösa).

TA VÅL VARA PÅ SÄKERHETSANVISNINGARNA.

### 1. Arbetsområde

- Håll arbetsplatsen ren och välbelyst.** Oordning på arbetsplatsen och dåligt belyst arbetsområde kan leda till olyckor.
- Använd inte elverktyget i explosionsfarlig omgivning med brännbara vätskor, gaser eller damm.** Elverktyg alstrar gnistor som kan antända dammet eller gaserna.
- Håll under arbetet med elverktyget barn och obehöriga personer på betryggande avstånd.** Om du störs av obehöriga personer kan du förlora kontrollen över elverktyget.

### 2. Elektrisk säkerhet

- Elverktygets stickpropp måste passa till vägguttaget. Stickproppen får absolut inte förändras. Använd inte adapterkontakter tillsammans med skyddsjordade elverktyg.** Oförändrade stickproppar och passande vägguttag reducerar risken för elchock.
- Undvik kroppskontakt med jordade ytor som t. ex. rör, värmeelement, spisar och kylskåp.** Det finns en större risk för elchock om din kropp är jordad.
- Skydda elverktyget mot regn och väta.** Tränger vatten in i ett elverktyg ökar risken för elchock.
- Misshandla inte nätsladden. Använd inte sladden för att bära eller hänga upp elverktyget och inte heller för att dra stickproppen ur vägguttaget. Håll nätsladden på avstånd från värme, olja, skarpa kanter och rörliga maskindelar.** Skadade eller tilltrasslade sladdar ökar risken för elchock.
- Andvänd när du arbetar med ett elverktyg utomhus endast förlängningsladdar som är godkända för utomhusbruk.** Om en avsedd förlängningsladd för utomhusbruk används minskar risken för elchock.

### 3. Personlig säkerhet

- Var uppmärksam, se på vad du gör och använd elverktyget med förnuft. Använd inte elverktyget när du är trött eller om du är påverkad av droger, alkohol eller mediciner.** Under användning av elverktyg kan även en kort uppmärksamhet leda till allvarliga kroppsskador.

- Använd personlig skyddsutrustning. Bär alltid skyddsglasögon.** Den personliga skyddsutrustningen som t.ex. dammfiltermask, halkfria säkerhetsskor, hjälm eller hörselskydd – med beaktande av elverktygets modell och driftsätt – reducerar risken för kroppsskada.
  - Undvik oavsiktlig igångsättning. Kontrollera att strömbrytaren står i avstängt läge innan du kopplar elverktyget till nätet.** Det kan vara mycket farligt att bära ett elverktyg med fingret på strömbrytaren eller koppla det till nätet med strömbrytaren i till-läge.
  - Ta bort alla inställningsverktyg och skruvnycklar innan du startar elverktyget.** Ett verktyg eller en nyckel i en roterande komponent kan medföra kroppsskada.
  - Sträck dig inte för långt. Se till att du alltid har säkert fotfäste och balans.** På så sätt kan du lättare kontrollera elverktyget i oväntade situationer.
  - Bär lämpliga kläder. Bär inte löst hängande kläder eller smycken. Håll hår, kläder och handskar undan från rörliga delar.** Löst hängande kläder, smycken och långt hår kan dras in av roterande delar.
  - Vid elverktyg med dammsugnings- och - uppsamlingsutrustning kontrollera att anordningarna är rätt monterade och används på korrekt sätt.** Dessa anordningar reducerar riskerna i samband med damm.
- ### 4. Bruk och skötsel av elverktyg
- Överbelasta inte elverktyget. Använd rätt elverktyg för det aktuella arbetet.** Med ett lämpligt elverktyg kan du arbeta bättre och säkrare inom angivet effektområde.
  - Ett elverktyg med defekt strömbrytare får inte användas.** Ett elverktyg som inte kan kopplas till eller från är farligt och måste repareras.
  - Dra stickproppen ur vägguttaget innan inställningar utförs, tillbehörsdelar byts ut eller elverktyget ställs undan.** Denna skyddsåtgärd förhindrar oavsiktlig inkoppling av elverktyget.
  - Förvara elverktygen oåtkomliga för barn. Låt inte elverktyget användas av personer som inte är förtrogna med dess användning eller inte läst denna anvisning.** Elverktygen är farliga om de används av oerfarna personer.
  - Sköt elverktyget omsorgsfullt. Kontrollera att rörliga komponenter fungerar felfritt och inte kärvar, att komponenter inte brustit eller skadats och inget annat föreligger som kan påverka elverktygets funktioner. Låt skadade delar repareras innan elverktyget används på nytt.** Många olyckor orsakas av dåligt skötta elverktyg.
  - Håll skärverktyg skarpa och rena.** Omsorgsfullt skötta skärverktyg med skarpa eggar fastnar inte så lätt och går lättare att styra.

- g. Använd elverktyget, tillbehör, insatsverktyg osv. enligt dessa anvisningar och på sätt som föreskrivits för aktuell verktygsmodell. Ta hänsyn till arbetsvillkoren och arbetsmomenten.** Används elverktyget på icke ändamålsenligt sätt kan farliga situationer uppstå.

## 5. Service

- a. Låt elverktyget endast repareras av kvalificerad fackpersonal och med originalreservdelar.**

Detta garanterar att elverktygets säkerhet bibehålls.

### Extra säkerhetsföreskrifter för slipmaskiner

- ◆ Använd helst ansiktsmask när du utför sliparbeten.
- ◆ Var noga med att ta bort allt slipdamm när slipningen har avslutats.
- ◆ Var speciellt försiktig när du slipar bort färg som eventuellt innehåller bly eller vid slipning av trä- och metallmaterial som kan avge giftigt slipdamm.
  - Använd en specialkonstruerad ansiktsmask som skyddar mot damm från blyhaltiga färger och ångor, samt se till att personer som vistas på, eller kommer i närheten av, arbetsplatsen också är skyddade.
  - Låt aldrig barn eller gravida kvinnor vistas på arbetsplatsen.
  - Ät, drick eller rök inte på arbetsplatsen.
  - Släng damm och annat avfall på miljösäker plats.
- ◆ Innan du börjar arbeta med arbetsstycken i trä, bör du sätta fast dammkassetten.
- ◆ Innan du börjar arbeta med arbetsstycken i metall, bör du ta av dammkassetten.
- ◆ Använd aldrig verktyget utan slippapper
- ◆ Använd aldrig verktyget utan slipplatta
- ◆ Denna apparat får inte användas av unga eller personer med svag hälsa utan tillsyn. Håll uppsyn så att inga barn leker med apparaten.
- ◆ Om nätsladden är skadad måste den bytas ut av tillverkaren eller en godkänd Black & Decker serviceverkstad för att undvika risker.

### Elektrisk säkerhet



Eftersom verktyget är dubbelisolerat behövs ingen jordledare. Kontrollera alltid att nätspänningen överensstämmer med uppgifterna på märkplåten.

### Detaljbeskrivning

Verktyget har en del eller samtliga av nedanstående funktioner.

1. Strömbrytare
2. Behagligt gelgrepp (endast KA270GT(K))
3. Dammkassett

4. Stor slipplatta
5. Spetshållare
6. Slipspets

### Fig. A

7. Platta för excenterslipning
8. Profiltillsats (endast KA270(GT)K)
9. Slipp profiler (endast KA270(GT)K)
10. Detalj fingertillsats (endast KA270(GT)K)
11. Extra slipplatta (endast KA270(GT)K)
12. Specialtillbehör (endast KA270LDK)

### Montering

**Varning!** Se till att verktyget är avstängt samt att det inte är anslutet innan monteringen börjar.

#### Platta för excenterslipning

Med den här slipplattan kan du använda verktyget som excenterslip.

#### Montering och borttagning av slipplatta (fig. B)

- ◆ Placera slipplattan (7) på spindeln (13).
- ◆ Sätt brickan (14) på spindeln.
- ◆ Sätt insexskruven (15) i hålet på spindeln.
- ◆ Dra åt insexskruven med den medföljande insexnyckeln (16).
- ◆ Slipplattan tas av genom att man skruvar ur insexskruven (15) och tar av brickan (14).

#### Montering av slippapper (fig. C)

- ◆ Håll verktyget med slipplattan (7) vänd uppåt.
- ◆ Placera slipparket (17) på slipplattan (7). Hålen i papperet behöver inte korrespondera med hålen i plattan.

#### Stor slipplatta

Med den här slipplattan kan du använda verktyget som detaljslip eller som en planslip.

#### Montering och borttagning av slipplatta (fig. D & E)

För finslipning av detaljer skall spetsen vara vänd framåt som på fig. D. När man slipar större ytor skall den vara vänd bakåt som på fig. E.

- ◆ Placera slipplattan (4) på spindeln (13). Se till att stiften på plattan kommer rätt i verktyget.
- ◆ Sätt brickan (14) på spindeln.
- ◆ Sätt insexskruven (15) i hålet på spindeln.
- ◆ Dra åt insexskruven med den medföljande insexnyckeln (16).
- ◆ Slipplattan tas av genom att man skruvar ur insexskruven (15) och tar av brickan (14).

#### Montering av slippapper (fig. F)

- ◆ Drag lös de två rutformade spetsarna (18) från slippapperet (19).

- ◆ Håll verktyget med slipplattan vänd uppåt.
- ◆ Placera slippapperet (19) på slipplattan och se till att hålen i papperet korresponderar med hålen i plattan.

Den rutformade spetsen (18) kan vändas eller bytas ut när den blir slitna.

- ◆ När spetsens främre del är slitna, drar man av den från papperet, vänder på den och trycker fast den igen på slipplattan.
- ◆ När hela spetsen har slitits ut, tar man av den och sätter på en ny spets.

### Slipplattans spets (fig. G)

När spetsen på slipplattan (6) har blivit utsliten kan den vändas eller bytas ut. När spetshållaren (5) är slitna, kan den bytas ut. Reservdelar finns hos din Black & Decker återförsäljare.

- ◆ Ta ut skruven (20).
- ◆ Vänd den slitna delen helt om eller byt ut den.
- ◆ Sätt i skruven och dra åt.

### Fingertillsats (fig. H)

Fingertillsatsen används för slipning av fina detaljer.

- ◆ Ta ut skruven (20).
- ◆ Ta av den rutformade spetshållaren (5) från slipplattan.
- ◆ Sätt fingertillsatsen (10) på slipplattan.
- ◆ Sätt i skruven och dra åt.
- ◆ Sätt på lämpligt slippapper (21) på fingertillsatsen.

### Profilfillsats

Profilfillsatsen används för konturslipning.

### Montering av profilfillsats (fig. I)

- ◆ Ta ut skruven (20).
- ◆ Ta av den rutformade spetshållaren (5) från slipplattan.
- ◆ Sätt fast profilfillsatsen (8) på slipplattan.
- ◆ Sätt i skruven och dra åt.

### Montera och ta bort en slippprofil (fig. J1 & J2)

- ◆ Välj ut den profil som bäst passar för ditt ändamål.
- ◆ Sätt ena änden på slippprofilen (9) i uttaget fram till på profilfillsatsen (8).
- ◆ Tryck in profilen från andra änden tills den låses fast.
- ◆ Slippprofilen tas bort genom att man trycker den framåt och drar ut den ur profilfillsatsen (fig. 8).

### Montering av slippapperet på en slippprofil (fig. K)

- ◆ Passa in slippappret (22) på slippprofilen (9).
- ◆ Tryck fast slippappret mot profilen och se till att slippappret anpassar sig till profilen.

### Specialtillbehör (fig. L & M)

Med specialtillbehöret kan du arbeta i springor.

- ◆ Ta ut skruven (20).
- ◆ Ta av den rutformade spetshållaren (5) från slipplattan.
- ◆ Sätt fast specialtillbehöret (12) på slipplattan.
- ◆ Sätt i skruven och dra åt.
- ◆ Sätt på lämpligt slippapper (23) på specialtillbehöret.

Den extra delen av kardborrefästet (24) kan fästas på ovsidan av specialtillbehöret (12) så att det är möjligt att slipa med båda sidorna.

- ◆ Ta av täckpappret från kardborrefästet (24).
- ◆ Fäst kardborrefästet längst fram på ovsidan av specialtillbehöret.
- ◆ Fäst slippappret (23) på kardborrefästet.

## Användning

**Varning!** Överbelasta inte maskinen, låt den arbeta i sin egen takt.

**Varning!** Täck aldrig över luftspringorna medan du använder verktyget. Håll verktyget som fig. Q visar. Se till att slipplattan ligger platt mot arbetsstycket.

### Start och stopp (fig. N)

- ◆ För att starta maskinen ställ strömbrytaren (1) i läge I.
- ◆ För att stanna maskinen ställ strömbrytaren i läge 0.

### Automatiskt bromssystem (ABS)

Det här verktyget har ett automatiskt bromssystem. När verktyget inte är mot arbetsytan, ser den här funktionen till att hastigheten på plattan inte överstiger motorvarvet. Plattan stannar snabbt när verktyget stängs av.

### Tömning av dammkassetten (fig. O & P)

Töm dammkassetten var 10 minuter när du arbetar med verktyget.

- ◆ Dra dammkassetten (3) bakåt och ta av den från verktyget.
- ◆ Ta bort locket (25) genom att vrida det moturs.
- ◆ Håll dammkassetten med filtret (26) nedåt och skaka den så att innehållet töms ut. Skaka locket för att tömma innehållet.
- ◆ Sätt tillbaka locket (25) på dammkassetten, och vrid medurs tills det låses fast.
- ◆ Sätt tillbaka dammkassetten på verktyget.

### Rengöring av dammfilterkassetten

Dammfilterkassetten kan återanvändas och ska rengöras regelbundet.

- ◆ Töm dammkassetten (3) enligt beskrivningen ovan.
- ◆ Drag filtret (26) från dammkassetten.
- ◆ Skaka ut dammet genom att slå filtret försiktigt mot insidan av en soptunna.

**Varning!** Rengör aldrig filtret med en borste, med tryckluft eller med vassa föremål. Tvätta aldrig filtret.

- ◆ Sätt tillbaka filtret.

- ◆ Sätt tillbaka locket.
- ◆ Sätt tillbaka dammkassetten på verktyget.

### Råd för bästa resultat

- ◆ För användarens bekvämlighet kan verktyget manövreras med en eller båda händer (fig. Q). Håll händerna borta från luftspringorna.
- ◆ Tryck inte för hårt på verktyget.
- ◆ Kontrollera slippapperet regelbundet. Byt slipark vid behov.
- ◆ Slipa alltid i virkets fiberriktning.
- ◆ Använd extra finkornigt slipband mellan strykningarna av nymålade ytor.
- ◆ På mycket ojämna ytor eller vid borttagning av flera färglager bör ett grovkornigt slippapper användas i början. På andra ytor startas slipningen med medelgrovt slippapper. I båda fallen bör ett finkornigare slippapper användas efter hand för att uppnå en jämn och slät yta.
- ◆ Kontakta din återförsäljare för mer information om tillgängliga tillbehör.

### Skötsel

Ditt verktyg har tillverkats för att fungera under lång tid med ett minimum av underhåll. Med rätt underhåll och regelbunden rengöring behåller verktyget sin prestanda.

- ◆ Rengör luftpålen med en ren, torr målarborste.
- ◆ Rengör kåpan regelbundet med en fuktig trasa. Använd inga lösningsmedel.

### Miljöskydd



Särskild insamling. Denna produkt får inte kastas bland vanliga hushållssopor.

Om du någon gång i framtiden behöver ersätta din Black & Decker-produkt med en ny, eller inte längre behöver den, ska du inte kasta den i hushållssoporna. Denna produkt skall lämnas till särskild insamling.



Efter insamling av använda produkter och förpackningsmaterial kan materialen återvinnas och användas på nytt. Användning av återvunna material skonar miljön och minskar förbrukningen av råvaror.

Enligt lokal lagstiftning kan det förekomma särskilda insamlingar av uttjänt elutrustning från hushåll, antingen vid kommunala miljöstationer eller hos detaljhandlaren när du köper en ny produkt.

Black & Decker erbjuder en insamlings- och återvinningstjänst för Black & Decker-produkter när de en gång har tjänat ut. För att använda den här tjänsten lämnar du in produkten till en auktoriserad B & D –reparatör/representant som tar hand om den för din räkning.

Närmaste auktoriserad Black & Decker-representant finner du genom det lokala Black & Decker-kontoret på adressen i den här manualen. Annars kan du söka på Internet, på listan över auktoriserade Black & Decker-representanter och alla uppgifter om vår kundservice och andra kontakter. [www.2helpU.com](http://www.2helpU.com)

### Tekniska data

	KA270
Spänning	V <sub>AC</sub> 230
Ineffekt	W 170
Excentersvängningar (obelastad)	min <sup>-1</sup> 11.000
Varvtal (obelastad)	min <sup>-1</sup> 22.000
Vikt	kg 1,53

### EC-förklaring om överensstämmelse

KA270

Black & Decker förklarar att dessa produkter överensstämmer med:

98/37/EEG, 89/336/EEG, EN 60745, EN 55014, EN 61000

L<sub>PA</sub> (bullertryck) 78 dB(A), L<sub>WA</sub> (akustisk effekt) 89 dB(A),  
vägt geometriskt vibrationsvärde hand/arm 8,8 m/s<sup>2</sup>

K<sub>PA</sub> (osäkerhet bullertryck) 3 dB(A),  
K<sub>WA</sub> (osäkerhet akustisk effekt) 3 dB(A)

Kevin Hewitt  
Director of Consumer Engineering  
Spennymoor, County Durham DL16 6JG,  
Storbritannien  
1-5-2005

### Reservdelar / reparationer

Reservdelar finns att köpa hos auktoriserade Black & Decker verkstäder, som även ger kostnadsförslag och reparerar våra produkter.

Förteckning över våra auktoriserade verkstäder finns på Internet, vår hemsida [www.blackanddecker.se](http://www.blackanddecker.se) samt [www.2helpU.com](http://www.2helpU.com)

### Garanti

Black & Decker garanterar att produkten är fri från material- och/eller fabriktionsfel vid leverans till kund. Garantin är i tillägg till konsumentens lagliga rättigheter och påverkar inte dessa. Garantin gäller inom medlemsstaterna i Europeiska Unionen och i det Europeiska Frihandelsområdet.

Om en Black & Decker produkt går sönder på grund av material- och/eller fabriktionsfel eller brister i överensstämmelse med specifikationen, inom 24 månader från köpet, åtar sig Black & Decker att reparera eller byta ut produkten med minsta besvär för kunden.

Garantin gäller inte för fel som beror på:

- ◆ normalt slitage
- ◆ felaktig användning eller skötsel
- ◆ att produkten skadats av främmande föremål, ämnen eller genom olyckshändelse

Garantin gäller inte om reparation har utförts av någon annan än en auktoriserad Black & Decker verkstad.

För att utnyttja garantin skall produkten och inköpskvittot lämnas till återförsäljaren eller till en auktoriserad verkstad senast 2 månader efter det att felet har upptäckts. För information om närmaste auktoriserad verkstad; kontakta det lokala Black & Decker kontoret på den adress som är angiven i bruksanvisningen. En lista på alla auktoriserade verkstäder samt servicevillkor finns även tillgängligt på Internet, adress: **[www.2helpU.com](http://www.2helpU.com)**

Besök vår webbplats **[www.blackanddecker.se](http://www.blackanddecker.se)** för att registrera din nya Black & Decker-produkt samt för att erhålla information om nya produkter och specialerbjudanden. Vidare information om märket Black & Decker och vårt produktsortiment kan återfinnas på **[www.blackanddecker.se](http://www.blackanddecker.se)**

## Bruksområder

Sliperen fra Black & Decker er konstruert for sliping av treverk, metall, plast og malte overflater.

Verktøyet er tiltenkt kun som konsumentverktøy.

## Generelle sikkerhetsforskrifter

**Advarsel!** Les gjennom alle anvisningene. Hvis anvisningene nedenfor ikke overholdes, kan det medføre elektrisk støt, brann og/eller alvorlige skader. Uttrykket «elektroverktøy» i alle advarslene nedenfor gjelder for strømdrevne elektroverktøy (med ledning) og batteridrevne elektroverktøy (uten ledning).  
TA GODT VARE PÅ DISSE ANVISNINGENE.

### 1. Arbeidsplassen

- Hold arbeidsområdet rent og godt opplyst.**  
Rotete arbeidsområder og arbeidsområder uten godt lys kan føre til ulykker.
- Ikke arbeid med elektroverktøy i eksplosjonsfarlige omgivelser – der det befinner seg brennbare væsker, gass eller støv.** Elektroverktøy forårsaker gnister som kan antenne støv eller damper.
- Hold barn og andre personer unna når elektroverktøyet brukes.** Hvis du blir forstyrret under arbeidet, kan du miste kontrollen.

### 2. Elektrisk sikkerhet

- Støpselet til elektroverktøyet må passe inn i stikkkontakten. Støpselet må ikke forandres på noen som helst måte. Ikke bruk adapterstøpsler sammen med jordete elektroverktøy.** Bruk av originale støpsler og passende stikkontakter reduserer risikoen for elektrisk støt.
- Unngå kroppskontakt med jordete overflater som rør, radiatorer, komfyrer og kjøleskap.** Det er større fare for elektrisk støt hvis kroppen din er jordet.
- Hold elektroverktøy unna regn eller fuktighet.** Dersom det kommer vann i et elektroverktøy, øker risikoen for elektrisk støt.
- Unngå uforvarlig behandling av ledningen. Elektroverktøyet må aldri bæres eller trekkes etter ledningen, og trekk heller ikke ut støpselet ved å rykke i ledningen. Hold ledningen unna varme, olje, skarpe kanter eller bevegelige deler.** Med skadde eller sammenflokete ledninger øker risikoen for elektrisk støt.
- Når du arbeider utendørs med et elektroverktøy, må du kun bruke en skjøteledning som er godkjent til utendørs bruk.** Ved å bruke en skjøteledning som er egnet for utendørs bruk, reduseres risikoen for elektrisk støt.

### 3. Personikkerhet

- Vær oppmerksom, pass på hva du gjør og gå fornuftig fram når du arbeider med et elektroverktøy. Ikke bruk elektroverktøy når du er trett eller er påvirket av narkotika, alkohol eller medikamenter.** Et øyeblikks uoppmerksomhet under bruk av verktøyet kan føre til alvorlige personskader.
- Bruk personlig verneutstyr. Bruk alltid vernebriller.** Bruk av personlig verneutstyr, for eksempel støvmaske, skliskre vernesko, hjelm eller hørselsvern som passer til forholdene, reduserer risikoen for personskader.
- Unngå utilsiktet start av elektroverktøyet. Påse at bryteren står i posisjon "AV" før verktøyet koples til.** Det kan føre til ulykker hvis du bærer elektroverktøyet med fingeren på bryteren, eller kople til verktøyet når bryteren ikke står i posisjon "AV".
- Fjern innstillingsverktøy eller skrunøkler før du slår på elektroverktøyet.** Et verktøy eller en nøkkel som befinner seg i en roterende del, kan føre til personskade.
- Ikke strekk deg for langt. Pass på at du alltid har sikkert foffeste og god balanse.** Da kan du kontrollere elektroverktøyet bedre i uventede situasjoner.
- Bruk alltid egnede klær. Ikke bruk løstsittende klær eller smykker. Hold hår, klær og hanser unna bevegelige deler.** Løstsittende tøy, smykker eller langt hår kan komme inn i bevegelige deler.
- Hvis det kan monteres støvavsug- og oppsamlingsinnretninger, må du forvise deg om at disse er tilkoblet og brukes på korrekt måte.** Bruk av disse innretningene reduserer faren i forbindelse med støv.

### 4. Aktsom håndtering og bruk av elektroverktøy

- Ikke bruk makt på elektroverktøyet. Bruk et elektroverktøy som er beregnet på den type arbeid du vil utføre.** Med et passende elektroverktøy arbeider du bedre og sikrer i det angitte effektområdet.
- Ikke bruk elektroverktøy med defekt strømbryter.** Et elektroverktøy som ikke lenger kan slås av eller på med bryteren, er farlig og må repareres.
- Trekk støpselet ut av stikkkontakten før du utfører innstillinger på elektroverktøyet, skifter tilbehørsdeler eller legger elektroverktøyet bort.** Disse tiltakene reduserer risikoen for en utilsiktet start av elektroverktøyet.
- Elektroverktøy som ikke er i bruk, må oppbevares utilgjengelig for barn. Ikke la verktøyet brukes av personer som ikke er fortrolig med dette, eller som ikke har lest disse bruksanvisningene.** Elektroverktøy er farlige når de brukes av uerfarne personer.

- e. **Vær nøye med vedlikehold av elektroverktøy. Kontroller om bevegelige deler fungerer feilfritt og ikke klemmes fast, om deler er brukket eller skadet og andre forhold som kan innvirke på elektroverktøyets funksjon. Hvis elektroverktøyet er skadet, må det repareres før bruk.** Dårlig vedlikeholdte elektroverktøy er årsaken til mange uhell.
- f. **Hold skjæreverktøy skarpe og rene.** Godt vedlikeholdte skjæreverktøy med skarpe egger setter seg ikke så ofte fast og er lettere å føre.
- g. **Bruk elektroverktøy, tilbehør, bits osv. i henhold til disse anvisningene og slik det er foreskrevet for denne spesielle verktøytypen. Ta hensyn til arbeidsforholdene og arbeidet som skal utføres.** Bruk av elektroverktøy til andre formål enn det som er angitt, kan føre til farlige situasjoner.

## 5. Service

- a. **Elektroverktøyet ditt skal alltid repareres av kvalifisert personell og kun med originale reservedeler.** Dette forsikrer at elektroverktøyets sikkerhet opprettholdes.

## Ekstra sikkerhetsinstruksjoner for slipemaskiner

- ◆ Det anbefales bruk av ansiktsmaske når du sliper.
- ◆ Fjern alt støvet godt etter sliping.
- ◆ Vær ekstra forsiktig når du sliper maling som kan inneholde bly, eller ved sliping av tre og metall som kan avgir giftig damp.
  - Bruk en spesialmaske som beskyttelse mot blystøv og damp, og pass på at andre som kommer inn der du arbeider også beskytter seg
  - La ikke barn eller gravide komme inn der du arbeider.
  - Ikke spis, drikk eller røyk der du arbeider.
  - Kvitt deg med støvpartikler eller annet avfall på en miljøvennlig måte.
- ◆ Før du bruker verktøyet på arbeidsemner av tre, må du montere støvkassetten.
- ◆ Før du bruker verktøyet på arbeidsemner av metall, må du fjerne støvkassetten.
- ◆ Bruk aldri verktøyet uten slipepapir.
- ◆ Bruk aldri verktøyet uten slipeplaten.
- ◆ Dette apparatet er ikke beregnet for bruk av unge eller uerfarne personer uten tilsyn. Barn må ha tilsyn for å være sikker på at de ikke leker med apparatet.
- ◆ Hvis strømfledningen skades, må den skiftes ut av fabrikanten eller et autorisert Black & Decker servicesenter for å unngå fare.

## Elektrisk sikkerhet



Dette apparatet er dobbeltisolert. Derfor er ikke jording nødvendig. Kontroller alltid at nettspenningen er i overensstemmelse med spenningen på typeskiltet.

## Funksjoner

Dette verktøyet har noen av eller alle disse funksjonene:

1. Strømbryter
2. Komfortabelt gel-håndtak (kun KA270G(K))
3. Støvkassett
4. Stor slipeplate
5. Spissholder
6. Slipeplatespiss

## Fig. A

7. Eksenterslipeplate
8. Profilslipeplate (kun KA270(GT)K)
9. Slipeprofiler (kun KA270(GT)K)
10. Fingerslipeplate (kun KA270(GT)K)
11. Reservespiss for slipeplaten (kun KA270(GT)K)
12. Spesielttilbehør (kun KA270LDK)

## Montering

**Advarsel!** Før monteringen, må du passe på at verktøyet er slått av og at kontakten er trukket ut.

### Eksenterslipeplate

Med denne slipeplaten kan du bruke verktøyet som en eksentersliper.

### Montere og fjerne slipeplate (fig. B)

- ◆ Sett slipeplaten (7) på spindelen (13).
- ◆ Plasser skiven (14) på spindelen.
- ◆ Sett sekskantskruen (15) inn i skruerullet i spindelen.
- ◆ Stram til sekskantskruen ved hjelp av den medfølgende sekskantnøkkelen (16).
- ◆ Hvis du vil ta av slipeplaten, fjerner du sekskantskruen (15) og skiven (14).

### Sette på slipepapir (fig. C)

- ◆ Hold verktøyet med slipeplaten (7) vendt opp.
- ◆ Plasser slipepapiret (17) på slipeplaten (7). Hullene i papiret behøver ikke å passe nøyaktig med hullene i platen.

### Stor slipeplate

Med denne slipeplaten kan du bruke verktøyet både som detaljsliper og plansliper.



### Montere og fjerne slipeplaten (fig. D & E)

Til detaljsliping skal den spisse enden stå forover, som på fig. D. Ved sliping av større områder, skal den spisse enden stå bakover, som i fig. E.

- ◆ Sett slipeplaten (4) på spindelen (13). Pass på at stiften til platen festes rett i verktøyet.
- ◆ Plasser skiven (14) på spindelen.
- ◆ Sett sekskantskruen (15) inn i skruelhullet i spindelen.
- ◆ Stram til sekskantskruen ved hjelp av den medfølgende sekskantnøkkelen (16).
- ◆ Hvis du vil ta av slipeplaten, fjerner du sekskantskruen (15) og skiven (14).

### Sette på slipepapir (fig. F)

- ◆ Fjern de to diamantformede spissene (18) fra slipepapiret (19).
- ◆ Hold verktøyet med slipeplaten vendt oppover.
- ◆ Plasser slipepapiret (19) på slipeplaten, og sørg for at hullene på papiret er på linje med hullene i platen.

Den diamantformede spissen (18) kan snus og kan skiftes når den er utslitt.

- ◆ Når fremre del av spissen er slitt, river du den av papiret, snur den, og trykker den fast på slipeplaten igjen.
- ◆ Når hele spissen er slitt, fjerner du den fra slipeplaten og setter på en ny spiss.

### Spissen på slipeplaten (fig. G)

Når spissen på slipeplaten (6) er slitt, kan den snus eller byttes. Når spissholderen (5) er slitt, kan den byttes. Reservedeler er tilgjengelig fra din Black & Decker-forhandler

- ◆ Fjern skruen (20).
- ◆ Snu eller bytt ut den slitte delen.
- ◆ Sett på og stram skruen.

### Fingerslipeplate (fig. H)

Fingerslipeplaten brukes til sliping på steder som er vanskelig å komme til.

- ◆ Fjern skruen (20).
- ◆ Fjern den diamantformede spissholderen (5) fra slipeplaten.
- ◆ Monter fingerslipeplaten (10) på slipeplaten.
- ◆ Sett på og stram skruen.
- ◆ Monter egnet sandpapir (21) på fingerslipeplaten.

### Profilislipeplate

Profilislipeplaten brukes til kontursliping.

### Montere profilislipeplaten (fig. I)

- ◆ Fjern skruen (20).
- ◆ Fjern den diamantformede spissholderen (5) fra slipeplaten.
- ◆ Monter profilislipeplaten (8) på slipeplaten.
- ◆ Sett på og stram skruen.

### Sette på og ta av slipeprofilen (fig. J1 & J2)

- ◆ Velg den slipeprofilen som er best egnet for ditt bruk.
- ◆ Plasser den ene enden av slipeprofilen (9) inn i utsparingen på bakre ende av profilislipeplaten (8).
- ◆ Skyv den andre enden av slipeprofilen helt inn til den klikker på plass.
- ◆ Du fjerner slipeprofilen (9) ved å skyve den fremover og trekke bakre ende ut av profilislipeplaten (8).

### Montere et sandpapir på en slipeprofil (fig. K)

- ◆ Juster slipepapiret (22) etter slipeprofilen (9).
- ◆ Trykk slipepapiret fast på slipeprofilen, og pass på at slipepapiret følger formen på profilen.

### Spesialtilbehør (fig. L & M)

Med spesialtilbehøret kan du bearbeide spor og renner.

- ◆ Fjern skruen (20).
- ◆ Fjern den diamantformede spissholderen (5) fra slipeplaten.
- ◆ Monter spesialtilbehøret (12) på slipeplaten.
- ◆ Sett på og stram skruen.
- ◆ Monter egnet sandpapir (23) på spesialtilbehøret.

Den ekstra biten med borrelåsfestet (24) kan festes på toppen av spesialtilbehøret (12), så du kan slipe med begge sidene.

- ◆ Fjern papirbaksiden fra borrelåsfestet (24).
- ◆ Fest borrelåsfestet lengst fremme på oversiden av spesialtilbehøret.
- ◆ Sett slipepapiret (23) på borrelåsfestet.

### Bruk

**Advarsel!** La verktøyet jobbe med sin egen hastighet. Ikke overbelast det.

**Advarsel!** Ikke tildekk ventilasjonsåpningene når du bruker verktøyet. Hold verktøyet som vist i fig. Q. Pass på at slipeplaten ligger flatt mot arbeidsemnet.

### Start og stopp (fig. N)

- ◆ For å sette igang verktøyet, setter du strømbryteren (1) i posisjon I.
- ◆ For å slå av verktøyet, setter du strømbryteren i posisjon O.

### Automatisk bremsesystem (ABS)

Dette verktøyet har et automatisk bremsesystem. Når verktøyet ikke er mot arbeidsflaten, holder denne funksjonen hastigheten på platen lavere enn motorhastigheten. Når verktøyet slås av, vil platen stoppe svært raskt.

### Tømme støvkassetten (fig. O & P)

Støvkassetten bør tømmes hvert 10. minutt når verktøyet brukes.

- ◆ Trekk støvkassetten (3) bakover og bort fra verktøyet.
- ◆ Ta av dekselet (25) ved å vri det mot klokken.

- ◆ Hold støvkassetten med filteret (26) ned, og rist kassetten slik at innholdet tømmes ut. Rist dekselet for å tømme ut innholdet.
- ◆ Sett dekselet (25) på støvkassetten igjen ved å vri det med klokken til det låses på plass.
- ◆ Sett støvkassetten på verktøyet igjen.

## Rengjøre støvkassetfilteret

Støvkassetfilteret kan brukes mange ganger, og må rengjøres jevnlig.

- ◆ Tøm støvkassetten (3) som beskrevet ovenfor.
- ◆ Trekk filteret (26) av støvkassetten.
- ◆ Fjern overflødig støv ved å dunke i filteret over en søppelkasse.

**Advarsel!** Ikke bruk børste eller trykkluft eller skarpe gjenstander til å rengjøre filteret. Ikke vask filteret.

- ◆ Sett tilbake filteret.
- ◆ Sett dekselet på plass.
- ◆ Sett støvkassetten på verktøyet igjen.

## Råd for optimalt resultat

- ◆ Av hensyn til brukernes komfort er verktøyet konstruert for både en- og tohåndsbruk (fig. Q). Ikke plasser hendene over ventilasjonsåpningene.
- ◆ Ikke trykk for hardt på verktøyet.
- ◆ Sjekk slipepapiret regelmessig. Skift det ut ved behov.
- ◆ Slip alltid i treets fiberretning.
- ◆ Når du skal slippe nye malingsstrøk før du skal male et nytt strøk, bruker du ekstra finkornet slipepapir.
- ◆ På veldig ujevne overflater, eller når du skal fjerne flere lag med maling, begynner du med et grovere slipepapir. På andre overflater begynner du med et middels kornet slipepapir. I begge tilfeller bytter du gradvis til mer finkornet slipepapir for å få en glattere overflate.
- ◆ Kontakt forhandleren for å få mer informasjon om tilgjengelig tilbehør.

## Vedlikehold

Verktøyet ditt er konstruert for å være i drift over lengre tid med et minimum av vedlikehold. Det er avhengig av godt vedlikehold og regelmessig rengjøring for å fungere som det skal til enhver tid.

- ◆ Rens kjøleventilene og -sporene med en ren, tørr malekost.
- ◆ Rengjør kåpen regelmessig med en ren, fuktig klut. Ikke bruk løsemidler.

## Miljøvern



Kildesortering. Dette produktet må ikke kastes i det vanlige husholdningsavfallet.

Hvis du finner ut at Black & Decker-produktet ditt må skiftes ut, eller hvis du ikke lenger har bruk for det, må du unnlate å kaste det sammen med det vanlige husholdningsavfallet. Sørg for at dette produktet gjøres tilgjengelig for kildesortering.



Kildesortering av brukte produkter og emballasje gjør det mulig å resirkulere materialer og bruke dem igjen. Gjenbruk av resirkulerte materialer bidrar til å forhindre forsøpling av miljøet og reduserer behovet for råmaterialer.

Lokale regelverk kan legge tilrette for kildesortering av elektriske produkter fra husholdningen, ved kommunale deponier eller gjennom forhandleren når du kjøper et nytt produkt.

Black & Decker har tilrettelagt for innsamling og resirkulering av Black & Decker-produkter etter at de har utspilt sin rolle. Ønsker du å benytte deg av denne tjenesten, returnerer du produktet ditt til et autorisert serviceverksted, som tar det imot og formidler det videre.

Du kan få adressen til ditt nærmeste autoriserte serviceverksted ved å kontakte ditt lokale Black & Decker-kontor på adressen oppgitt i denne håndboken. Du kan også finne en komplett liste over autoriserte Black & Decker-serviceverksteder og utfyllende informasjon om vår etter salg-service og kontaktnumre på Internett på følgende adresse:

[www.2helpU.com](http://www.2helpU.com)

## Tekniske data

	KA270	
Spenning	$V_{AC}$	230
Inn-effekt	W	170
Svingninger (ubelastet)	$\text{min}^{-1}$	11.000
Eksentersvingninger (ubelastet)	$\text{min}^{-1}$	22.000
Vekt	kg	1,53

## Samsvarserklæring for EU

KA270

Black & Decker erklærer at disse produktene overholder:  
98/37/EØF, 89/336/EØF, EN 60745, EN 55014, EN 61000

$L_{PA}$  (lydtrykk) 78 dB(A),  $L_{WA}$  (akustisk effekt) 89 dB(A),  
hånd/arm-vektet vibrasjon 8,8 m/s<sup>2</sup>

$K_{PA}$  (lydtrykksusikkerhet) 3 dB(A),  
 $K_{WA}$  (usikkerhet i akustisk effekt) 3 dB(A)



Kevin Hewitt  
Adm. dir. for forbrukerteknikk  
Spennymoor, County Durham DL16 6JG,  
Storbritannia  
1-5-2005

For å ta garantien i bruk skal produktet og kjøpekvittring leveres til forhandleren eller til et autorisert serviceverksted senest 2 måneder etter at feilen har blitt oppdaget.

For informasjon om nærmeste autoriserte serviceverksted; kontakt det lokale Black & Decker kontoret på den adressen som er angitt i bruksanvisningen. En oversikt over alle autoriserte serviceverksteder samt servicevilkår finnes også tilgjengelig på Internet, adresse: **www.2helpU.com**

Vennligst stikk innom våre nettsider på

**www.blackanddecker.no** for å registrere ditt nye Black & Decker-produkt og for å holde deg oppdatert om nye produkter og spesialtilbud. Du finner mer informasjon om Black & Decker og produktutvalget vårt på **www.blackanddecker.no**

## Reservdeler / reparasjoner

Reservdeler kan kjøpes hos autoriserte Black & Decker serviceverksteder, som også gir kostnadsoverslag og reparerer våre produkter.

Oversikt over våre autoriserte serviceverksteder finnes på Internet, vår hjemmeside **www.blackanddecker.no** samt **www.2helpU.com**

## Garanti

Black & Decker garanterer at produktet ikke har material- og/eller fabrikkasjonsfeil ved levering til kunde. Garantien er i tillegg til kundens lovlige rettigheter og påvirker ikke disse. Garantien gjelder innen medlemsstatene i den Europeiske Unionen og i det Europeiske Frihandelsområdet.

Hvis et Black & Decker produkt går i stykker på grunn av material- og/eller fabrikkasjonsfeil eller har mangler i forhold til spesifikasjonene, innen 24 måneder fra kjøpet, påtar Black & Decker seg å reparere eller bytte ut produktet med minst mulig vanskelighet for kunden.

Garantien gjelder ikke for feil som kommer av:

- ◆ normal slittasje
- ◆ feilaktig bruk eller vedlikehold (mislighold)
- ◆ at produktet har blitt skadet av fremmede gjenstander, emner eller ved et uhell

Det gjøres oppmerksom på at produktet ikke er beregnet på industriell/profesjonell/yrkesmessig bruk, men til hus- og hjemmebruk.

Garantien gjelder ikke om reparasjoner har blitt utført av noen andre enn et autorisert Black & Decker serviceverksted.

## Anvendelsesområde

Din Black & Decker slibemaskine er designet til slibning af træ, metal, plastik og malede overflader. Værktøjet er kun beregnet til privat brug.

## Generelle sikkerhedsregler

**Advarsel!** Læs alle instrukserne. Hvis nedenstående instrukser ikke følges, er der risiko for elektrisk stød, brand og/eller alvorlige personskader. Det benyttede begreb "el-værktøj" i nedennævnte advarsler refererer til netdrevne (med tilslutningsledning) eller batteridrevne maskiner (uden tilslutningsledning).  
DISSE INSTRUKSER BØR OPBEVARES TIL SENERE BRUG.

### 1. Arbejdsområde

- a. **Sørg for, at arbejdsområdet er rent og ryddeligt.** Uordentlige og uoplyste arbejdsområder øger faren for uheld.
- b. **Brug ikke el-værktøj i eksplosionstruede omgivelser, f.eks. hvor der er brændbare væsker, gasser eller støv.** El-værktøj kan slå gnister, der kan antænde støv eller dampe.
- c. **Sørg for, at børn og andre personer holder sig på afstand, når el-værktøjet er i brug.** Hvis man distraheres, kan man miste kontrollen over maskinen.

### 2. El-sikkerhed

- a. **El-værktøjsstik skal passe til kontakten. Stikket må under ingen omstændigheder ændres. Brug ikke adapterstik sammen med jordforbundet el-værktøj.** Uændrede stik, der passer til kontakterne, nedsætter risikoen for elektrisk stød.
- b. **Undgå kropskontakt med jordforbundne overflader som f.eks. rør, radiatorer, komfurer og køleskabe.** Hvis din krop er jordforbundet, øges risikoen for elektrisk stød.
- c. **El-værktøj må ikke udsættes for regn eller fugt.** Indtrængen af vand i el-værktøj øger risikoen for elektrisk stød.
- d. **Undgå at ødelægge ledningen. Undgå at bære, trække eller afbryde el-værktøjet ved at rykke i ledningen. Beskyt ledningen mod varme, olie, skarpe kanter eller maskindele, der er i bevægelse.** Beskadigede eller indviklede ledninger øger risikoen for elektrisk stød.
- e. **Hvis el-værktøj benyttes i det fri, skal der benyttes en forlængerledning, som er godkendt til udendørs brug.** Brug af en forlængerledning til udendørs brug nedsætter risikoen for elektrisk stød.

### 3. Personlig sikkerhed

- a. **Det er vigtigt at være opmærksom, holde øje med, hvad man laver og bruge el-værktøjet fornuftigt. Man bør ikke bruge maskinen, hvis man er træt, har nydt alkohol eller er påvirket af medicin eller euforiserende stoffer.** Få sekunders uopmærksomhed ved brug af el-værktøjet kan føre til alvorlige personskader.
  - b. **Brug sikkerhedsudstyr. Brug altid beskyttelsesbriller.** Brug af sikkerhedsudstyr som f.eks. støvmaske, skridsikkert fodtøj, beskyttelseshjelm eller høreværn afhængigt af maskintype og anvendelse nedsætter risikoen for personskader.
  - c. **Undgå utilsigtet igangsætning. Sørg for, at el-værktøjets afbryder er på off, før det sluttes til strømmen.** Hvis man bærer el-værktøj med fingeren på afbryderen, eller hvis man slutter værktøjet til strømmen, mens afbryderen er på on, er der risiko for ulykker.
  - d. **Fjern indstillingsværktøj eller skrueøgle, inden el-værktøjet tændes.** Et værktøj eller en nøgle, der efterlades i en roterende del i el-værktøjet, kan resultere i personskader.
  - e. **Overvurder ikke dig selv. Sørg for, at du altid har sikkert fodfæste og balance.** Det gør det nemmere at kontrollere el-værktøjet, hvis der skulle opstå uventede situationer.
  - f. **Brug egnet arbejdstøj. Undgå løse beklædningsgenstande eller smykker. Hold hår, tøj og handsker væk fra dele, der bevæger sig.** Bevægelige dele kan gribe fat i løstsiddende tøj, smykker eller langt hår.
  - g. **Hvis støvsugnings- og opsamlingsudstyr kan monteres, er det vigtigt, at dette tilsluttes og benyttes korrekt.** Brug af dette udstyr nedsætter risikoen for personskader som følge af støv.
- ### 4. Brug og vedligeholdelse af el-værktøj
- a. **Undgå at overbelaste el-værktøjet. Brug altid det rette el-værktøj til opgaven.** Med det rigtige el-værktøj udføres arbejdet lettere og sikrere inden for det angivne effektområde.
  - b. **Brug ikke el-værktøjet, hvis afbryderen er defekt.** El-værktøj, der ikke kan kontrolleres med afbryderen, er farligt og skal repareres.
  - c. **Træk stikket ud af stikkontakten inden indstilling, tilbehørsudskiftning eller opbevaring af el-værktøjet.** Disse sikkerhedsforanstaltninger reducerer risikoen for utilsigtet start af værktøjet.
  - d. **Opbevar ubenyttet el-værktøj uden for børns rækkevidde. Lad aldrig personer, der ikke er fortrolige med el-værktøj, eller som ikke har gennemlæst disse instrukser, benytte maskinen.** El-værktøj er farligt, hvis det benyttes af ukyndige personer.

e. **El-værktøj bør vedligeholdes omhyggeligt. Kontroller, om bevægelige dele fungerer korrekt og ikke sidder fast, og om delene er brækket eller beskadiget, således at el-værktøjets funktion påvirkes. Få beskadigede dele repareret, inden el-værktøjet tages i brug.** Mange uheld skyldes dårligt vedligeholdt el-værktøj.

f. **Sørg for, at skæreværktøjer er skarpe og rene.** Omhyggeligt vedligeholdt skæreværktøjer med skarpe skærekanten sætter sig ikke så hurtigt fast og er nemmere at føre.

g. **Brug el-værktøj, tilbehør, indsatsværktøj osv. i overensstemmelse med disse instrukser, og sådan som det kræves for denne specielle værktøjstype. Tag hensyn til arbejdsforholdene og det arbejde, der skal udføres.** I tilfælde af anvendelse af el-værktøjet til formål, som ligger uden for det fastsatte anvendelsesområde, kan der opstå farlige situationer.

## 5. Service

a. **Sørg for, at el-værktøjet kun reparerer af kvalificerede fagfolk, og at der kun benyttes originale reservedele.** Dermed opretholdes el-værktøjets sikkerhed.

## Yderligere sikkerhedsvejledninger til slibemaskiner

- ◆ Man bør bære støvmaske, når man sliber.
- ◆ Man skal grundigt fjerne alt støv efter slibning.
- ◆ Man skal være specielt opmærksom ved slibning af maling, som er blybaseret. Også ved slibning af nogle typer træ og metal, som kan frembringe giftigt støv:
  - Man skal bære en specielt designet støvmaske til beskyttelse mod støv frembragt af blybaseret maling og blybaserede dampe, samt sikre sig, at personer indenfor arbejdsområdet også er beskyttet.
  - Børn og gravide kvinder må ikke betræde arbejdsområdet.
  - Man må hverken spise, drikke eller ryge indenfor arbejdsområdet.
  - Man skal bortskaffe støvpartikler og andet affald på sikker måde.
- ◆ Sæt støvkassetten fast, før maskinen bruges til arbejdsstykker af træ.
- ◆ Fjern støvkassetten, før maskinen bruges til arbejdsstykker af metal.
- ◆ Benyt aldrig værktøjet uden slibepapir.
- ◆ Benyt aldrig værktøjet uden slibegrundplade.
- ◆ Dette apparat er ikke beregnet til at blive betjent af unge eller uerfarne personer uden opsyn. Børn skal overvåges, så man kan sikre sig, at de ikke leger med apparatet.
- ◆ Hvis strømledningen er beskadiget, skal den udskiftes af producenten eller et autoriseret Black & Decker servicecenter for at undgå, at der sker skader.

## El-sikkerhed



Denne maskine er dobbelt isoleret. Derfor er jordledning ikke nødvendig. Kontroller altid, at strømforsyningen svarer til spændingen på typeskiltet.

## Funktioner

Dette værktøj har nogle af eller alle følgende funktioner:

1. Afbryder
  2. Blødt gelhåndtag (kun KA270GT(K))
  3. Støvkassette
  4. Stor slibepåse til detaljer
  5. Spidholder
  6. Slibegrundpladespids
7. Excenterslibepåse
  8. Profiltilbehør (kun KA270(GT)K)
  9. Slibeprofiler (kun KA270(GT)K)
  10. Finger-tilbehør til detaljer (kun KA270(GT)K)
  11. Ekstra slibegrundpladespids (kun KA270(GT)K)
  12. Lamel-tilbehør (kun KA270LDK)

## Fig. A

## Montering

**Advarsel!** Før montering skal man sikre sig, at værktøjet er slukket og taget ud af stikkontakten.

## Excenterslibepåse

Med denne slibegrundplade kan du bruge værktøjet som excentersliber.

## Af- og påmontering af slibegrundpladen (fig. B)

- ◆ Placer slibegrundpladen (7) på spindelen (13).
- ◆ Placer spændskiven (14) på spindelen.
- ◆ Indsæt unbrakoskruen (15) i skrueløbet i spindelen.
- ◆ Fastspænd unbrakoskruen ved hjælp af den medfølgende unbrakonøgle (16).
- ◆ Fjern slibegrundpladen ved at fjerne unbrakoskruen (15) og spændskiven (14).

## Påsætning af slibepapir (fig. C)

- ◆ Hold værktøjet med slibegrundpladen (7) vendende opad.
- ◆ Placer slibepapiret (17) på slibegrundpladen (7). Hullerne i papiret behøver ikke at flugte med hullerne i grundpladen.

## Stor slibepåse

Med denne slibegrundplade kan du bruge værktøjet som slibemaskine til detaljeslibning eller rystepudserarbejde.

## Påsætning og aftagning af slibegrundpladen (fig. D & E)

Til slibning af detaljer skal den spidse ende vende fremad som vist i fig. D.

Til slibning af store arealer, skal den spidse ende vende bagud som vist i fig. E.

- ◆ Placer slibgrundpladen (4) på spindelen (13). Sørg for at grundpladens ben befinder sig i værktøjet.
- ◆ Placer spændskiven (14) på spindelen.
- ◆ Indsæt unbrakoskruen (15) i skruelullet i spindelen.
- ◆ Fastspænd unbrakoskruen ved hjælp af den medfølgende unbrakonøgle (16).
- ◆ Fjern slibgrundpladen ved at fjerne unbrakoskruen (15) og spændskiven (14).

## Påsætning af slibepapir (fig. F)

- ◆ Tag de to diamantformede spidser (18) af slibepapiret (19).
- ◆ Hold værktøjet med slibgrundpladen vendende opad.
- ◆ Placer slibepapiret (19) på slibgrundpladen, og sørg for, at hullerne i papiret passer sammen med hullerne i grundpladen.

Den diamantformede spids (18) kan vendes om og sættes fast igen, når den er blevet slidt.

- ◆ Når den forreste del af spidsen er slidt, løsnes den fra papiret, vendes og trykkes fast på slibgrundpladen igen.
- ◆ Når hele spidsen er slidt, fjernes den fra slibgrundpladen, og der monteres en ny spids.

## Slibgrundpladens spids (fig. G)

Når slibgrundpladens spids (6) er slidt, kan den vendes eller udskiftes. Når spidsholderen (5) er slidt, kan den udskiftes.

Reserve dele fås hos din Black & Decker forhandler.

- ◆ Fjern skruen (20).
- ◆ Vend eller udskift den slidte del.
- ◆ Sæt skruen i og stram den.

## Fingertilbehør (fig. H)

Fingertilbehøret bruges til fin detaljeslibning.

- ◆ Fjern skruen (20).
- ◆ Fjern den diamantformede spidsholder (5) fra slibgrundpladen.
- ◆ Fastgør fingertilbehøret (10) på slibgrundpladen.
- ◆ Sæt skruen i og stram den.
- ◆ Monter et passende slibepapir (21) på fingertilbehøret.

## Profiltilbehør

Profiltilbehøret bruges til konturslibning.

## Påsætning af profiltilbehøret (fig. I)

- ◆ Fjern skruen (20).
- ◆ Fjern den diamantformede spidsholder (5) fra slibgrundpladen.
- ◆ Fastgør profiltilbehøret (8) på slibgrundpladen.
- ◆ Sæt skruen i og stram den.

## Påmontering og afmontering af en slibeprofil (fig. J1 & J2)

- ◆ Vælg den slibeprofil, der passer bedst til din opgave.
- ◆ Placér den ene ende af slibeprofilen (9) i indskæringen i den forreste ende af profiltilbehøret (8).
- ◆ Tryk på den anden ende af slibeprofilen, til den klikker på plads.
- ◆ Fjern slibeprofilen (9) ved at trykke den frem og trække bagenden ud af profiltilbehøret (fig. 8).

## Påsætning af et slibepapir på en slibeprofil (fig. K)

- ◆ Justér slibepapiret (22) efter slibeprofilen (9).
- ◆ Tryk slibepapiret ned på slibeprofilen, og sørg for, at slibepapiret følger profilens form.

## Lamel-tilbehør (fig. L & M)

Med lamel-tilbehøret kan du arbejde i sprækker.

- ◆ Fjern skruen (20).
- ◆ Fjern den diamantformede spidsholder (5) fra slibgrundpladen.
- ◆ Fastgør lamel-tilbehøret (12) på slibgrundpladen.
- ◆ Sæt skruen i og stram den.
- ◆ Monter et passende slibepapir (23) på lamel-tilbehøret.

Det ekstra stykke velcrolukning (24) kan sættes på oven på lamel-tilbehøret (12), så man kan slibe med begge sider.

- ◆ Fjern papiret bag på velcrolukningen (24).
- ◆ Sæt velcrolukningen på foroven på lamel-tilbehøret.
- ◆ Sæt slibepapiret (23) på velcrolukningen.

## Anvendelse

**Advarsel!** Lad værktøjet arbejde i dets eget tempo. Det må ikke overbelastes.

**Advarsel!** Dæk ikke ventilationshullerne, mens værktøjet er i brug. Hold værktøjet som vist i fig. Q. Sørg for at slibgrundpladen ligger fladt på arbejdsstykket.

## Tænding og slukning (fig. N)

- ◆ For at tænde værktøjet, sættes tænd/sluk knappen (1) på I position.
- ◆ For at slukke værktøjet, sættes tænd/sluk knappen på O position.

## Automatisk bremsesystem (ABS)

Dette værktøj har automatisk bremsesystem. Når værktøjet ikke rører ved en arbejdsoverflade, holder denne funktion hastigheden af skiven nede under motorens hastighed. Når værktøjet er slukket, standser skiven meget hurtigt.

## Tømning af støvkassetten (fig. O & P)

Støvkassetten skal tømmes hvert 10. minut, når den er i brug.

- ◆ Træk støvkassetten (3) bagud og væk fra maskinen.

- ◆ Fjern dækslet (25) ved at dreje det mod uret.
- ◆ Hold støvkassetten med filteret (26) vendende nedad, og ryst kassetten for at tømme indholdet ud. Ryst dækslet for at tømme indholdet ud.
- ◆ Sæt dækslet (25) på støvkassetten igen ved at dreje det med uret, indtil det låses på plads.
- ◆ Sæt støvkassetten på maskinen igen.

### Rengøring af støvkassettefilteret

Støvkassettefilteret kan bruges igen og bør renses jævnligt.

- ◆ Tøm støvkassetten (3) som beskrevet ovenfor.
- ◆ Træk filteret (26) af støvkassetten.
- ◆ Ryst filteret fri for støv ved at slå det ned i en affaldsbeholder.

**Advarsel!** Der må ikke bruges børster eller trykluft til rengøring af filteret. Filteret må ikke vaskes.

- ◆ Sæt filteret på plads igen.
- ◆ Sæt dækslet på igen.
- ◆ Sæt støvkassetten på maskinen igen.

### Gode råd til optimalt brug

- ◆ Af hensyn til brugerkomforten kan maskinen både betjenes med én hånd eller med begge hænder (fig. Q). Sæt ikke fingrene på ventilationshullerne.
- ◆ Tryk ikke for meget på værktøjet.
- ◆ Man skal regelmæssigt kontrollere slibepapirets tilstand. Det skal udskiftes, når det er nødvendigt.
- ◆ Slib altid med årenerne i træet.
- ◆ Anvend ekstra finkornet slibepapir mellem påføring af nye lag maling.
- ◆ På meget ujævne overflader, eller når man fjerner lag af maling, skal man starte med en grov kornstørrelse. På andre overflader startes der med en mellemfin kornstørrelse. I begge tilfælde skal man gradvist ændre til en fin kornstørrelse for at opnå en glat finish.
- ◆ Få flere oplysninger om tilgængeligt tilbehør hos detailhandleren.

### Vedligeholdelse

Værktøjet er beregnet til at kunne bruges gennem en længere periode med minimal vedligeholdelse. Forsat tilfredsstillende anvendelse afhænger af, at værktøjet behandles korrekt og gøres rent med regelmæssige mellemrum.

- ◆ Rens kølingshuller og -riller med en ren, tør pensel.
- ◆ Rengør motorhuset med en ren, fugtig klud. Brug ikke opløsningsmidler.

### Beskyttelse af miljøet



Separat indsamling. Dette produkt må ikke bortskaffes sammen med almindeligt husholdningsaffald.

Hvis du en dag skal udskifte dit Black & Decker produkt, eller hvis du ikke skal bruge det længere, må du ikke bortskaffe det sammen med husholdningsaffald. Dette produkt skal være tilgængeligt for separat indsamling.



Separat indsamling af brugte produkter og emballage gør det muligt at genbruge materialer. Genbrugte materialer forebygger miljøforurening og nedbringer behovet for råstoffer.

Lokale regler kan give mulighed for separat indsamling af elektriske husholdningsprodukter på kommunale lossepladser eller hos den forhandler, som du købte produktet af.

Black & Decker har en facilitet til indsamling og genbrug af Black & Decker-produkter, når deres levetid er slut. Få fordelene ved denne service ved at returnere produktet til en autoriseret tekniker, der samler værktøj sammen på vores vegne.

Du kan få oplyst den nærmeste autoriserede tekniker ved at kontakte det lokale Black & Decker-kontor på den adresse, der er angivet i denne brugsanvisning. Alternativt findes der en liste over autoriserede Black & Decker-teknikere og oplysninger om vores eftersalgsservice og kontaktpersoner på Internettet på adressen: [www.2helpU.com](http://www.2helpU.com)

### Tekniske data

	KA270
Spænding	V <sub>AC</sub> 230
Motoreffekt	W 170
Svingninger (uden belastning)	min <sup>-1</sup> 11.000
Omløbsbaner (uden belastning)	min <sup>-1</sup> 22.000
Vægt	kg 1,53

### EU overensstemmelseserklæring

KA270

Black & Decker erklærer, at disse produkter er i overensstemmelse med følgende:  
98/37/EØF, 89/336/EØF, EN 60745, EN 55014, EN 61000

L<sub>PA</sub> (lydtryk) 78 dB(A), L<sub>WA</sub> (lydintensitet) 89 dB(A),  
hånd/arm vægтет vibration 8,8 m/s<sup>2</sup>

K<sub>PA</sub> (lydtryk usikkerhed) 3 dB(A),  
K<sub>WA</sub> (lydintensitet usikkerhed) 3 dB(A)

Kevin Hewitt  
Director of Consumer Engineering  
Pennymoor, County Durham DL16 6JG,  
Storbritannien  
1-5-2005

## Reserve dele / reparationer

Reserve dele kan købes hos autoriserede Black & Decker serviceværksteder, som giver forslag til omkostninger og reparerer vore produkter. Oversigt over vore autoriserede værksteder findes på internettet på vor hjemmeside

**[www.blackanddecker.dk](http://www.blackanddecker.dk)** samt **[www.2helpU.com](http://www.2helpU.com)**

## Garanti

Black & Decker garanterer, at produktet er fri for materielle skader og/eller fabrikationsfejl ved levering til kunden.

Garantien er et tillæg til konsumentens lovlige rettigheder og påvirker ikke disse. Garantien gælder indenfor medlemsstaterne af den Europæiske Union og i det Europæiske Frihandelsområde.

Hvis et Black & Decker produkt går i stykker på grund af materiel skade og/eller fabrikationsfejl eller på anden måde ikke fungerer i overensstemmelse med specifikationen, inden for 24 måneder fra købsdatoen, påtager Black & Decker sig at reparere eller ombytte produktet med mindst muligt besvær for kunden.

Garantien gælder ikke for fejl og mangler, der er sket i forbindelse med:

- ◆ normal slitage
- ◆ uheldige følger efter unormal anvendelse af værktøjet
- ◆ overbelastning, hæværk eller overdrevent intensivt brug af værktøjet
- ◆ ulykkehændelse

Garantien gælder ikke hvis reparationer er udført af nogen anden end et autoriseret Black & Decker værksted.

For at udnytte garantien skal produktet og købskvitteringen indleveres til forhandleren eller til et autoriseret værksted, senest 2 måneder efter at fejlen opdages. For information om nærmeste autoriserede værksted: kontakt det lokale Black & Decker kontor på den adresse som er opgivet i brugsanvisningen. Liste over alle autoriserede Black & Decker serviceværksteder samt servicevilkår er tilgængelig på internettet, på adressen **[www.2helpU.com](http://www.2helpU.com)**

Gå venligst ind på vores website **[www.blackanddecker.dk](http://www.blackanddecker.dk)** for at registrere dit nye produkt og for at blive holdt ajour om nye produkter og specialtilbud. Der findes yderligere oplysninger om mærket Black & Decker og vores produktsortiment på adressen **[www.blackanddecker.dk](http://www.blackanddecker.dk)**



## Käyttötarkoitus

Black & Deckerin hiomakone on tarkoitettu puun, metallin, muovien ja maalipintojen hiomiseen. Kone on tarkoitettu kotikäyttöön.

## Yleiset turvallisuutta koskevat säännöt

**Varoitus!** Kaikki ohjeet täytyy lukea. Alla olevien ohjeiden noudattamisen laiminlyönti saattaa johtaa sähköiskun, tulipaloon ja/tai vakavaan loukkaantumiseen. Seuraavassa käytetty käsite ”sähkötyökalu” käsittää verkkokäyttöisiä sähkötyökaluja (verkkojohdolla) ja akkukäyttöisiä sähkötyökaluja (ilman verkkojohtoa). SÄILYTÄ NÄMÄ OHJEET HYVIN.

### 1. Työalue

#### a. Pidä työskentelyalue puhtaana ja hyvin valaistuna.

Työpaikan epäjärjestys ja valaisemattomat työalueet voivat johtaa tapaturmiin.

#### b. Älä työskentele sähkötyökalulla räjähdysalttiissa ympäristössä, jossa on palavaa nestettä, kaasua tai pölyä. Sähkötyökalu muodostaa kipinöitä, jotka saattavat sytyttää pölyn tai höyryt.

#### c. Pidä lapset ja sivulliset loitolla sähkötyökalua käyttäessäsi. Voit menettää laitteesi hallinnan, huomiosi suuntautuessa muualle.

### 2. Sähköturvallisuus

#### a. Sähkötyökalun pistotulpan tulee sopia pistorasiaan. Pistotulppaa ei saa muuttaa millään tavalla. Älä käytä mitään pistorasia-adaptoreita maadoitettujen sähkötyökalujen kanssa. Alkuperäisessä kunnossa olevat pistotulpat ja sopivat pistorasiat vähentävät sähköiskun vaaraa.

#### b. Vältä koskettamasta maadoitettuja pintoja, kuten putkia, pattereita, liesiä tai jääkaappeja. Sähköiskun vaara kasvaa, jos kehosi on maadoitettu.

#### c. Älä altista sähkötyökalua sateelle tai kosteudelle. Veden tunkeutuminen sähkötyökalun sisään kasvattaa sähköiskun riskiä.

#### d. Älä käytä verkkojohtoa väärin. Älä käytä sitä sähkötyökalun kantamiseen, vetämiseen tai pistotulpan irrottamiseen pistorasiasta. Pidä johto loitolla kuumuudesta, öljystä, terävistä reunoista ja liikkuvista osista. Vahingoittuneet tai sotkeutuneet johdot kasvattavat sähköiskun vaaraa.

#### e. Käyttäessäsi sähkötyökalua ulkona, käytä ainoastaan ulkokäyttöön soveltuvaa jatkojohtoa. Ulkokäyttöön soveltuvan jatkojohdon käyttö pienentää sähköiskun vaaraa.

### 3. Henkilöturvallisuus

- Ole valpas, kiinnitä huomiota työskentelyysi ja noudata tervettä järkeä sähkötyökalua käyttäessäsi. Älä käytä sähkötyökalua, jos olet väsynyt tai huumeiden, alkoholin tahi lääkkeiden vaikutuksen alaisena.** Hetken tarkkaamattomuus sähkötyökalua käytettäessä saattaa johtaa vakavaan loukkaantumiseen.
- Käytä suojavarusteita. Käytä aina suojalaseja.** Suojavarusteet, kuten pölynsuojaanamari, luistamattomat turvajalkineet, kypärä ja kuulosuojaimet pienentävät, tilanteen mukaan oikein käytettynä, loukkaantumisriskiä.
- Vältä sähkötyökalun tahatonta käynnistämistä. Varmista, että kytkin on off-asennossa ennen kytkennän tekemistä.** Onnettomuusvaara lisääntyy, jos kannat sähkötyökalua sormi käyttökytkimellä tai kytket työkalun virtajohdon pistorasiaan, kun käyttökytkin on päällä.
- Poista kaikki säätötyökalut ja ruuvitaltat, ennen kuin käynnistät sähkötyökalun.** Työkalu tai avain, joka sijaitsee laitteen pyöriässä osassa, saattaa johtaa loukkaantumiseen.
- Älä kurkota. Seiso aina tukevasti ja tasapainossa.** Täten voit paremmin hallita sähkötyökalua odottamattomissa tilanteissa.
- Käytä tarkoitukseen soveltuvia vaatteita. Älä käytä löysiä työvaatteita tai koruja. Pidä hiukset, vaatteet ja käsineet loitolla liikkuvista osista.** Väljät vaatteet, korut ja pitkät hiukset voivat takertua liikkuviin osiin.
- Jos pölynimu- ja keräilylaitteita voidaan asentaa työkalun, sinun pitää tarkistaa, että ne on liitetty ja että niitä käytetään oikealla tavalla.** Näiden laitteiden käyttö vähentää pölyn aiheuttamia vaaroja.

### 4. Sähkötyökalujen käyttö ja hoito

- Älä ylikuormita laitetta. Käytä kyseiseen työhön tarkoitettua sähkötyökalua.** Sopivaa sähkötyökalua käyttäen työskentelet paremmin ja varmemmin tehoalueella, jolle sähkötyökalu on tarkoitettu.
- Älä käytä sähkötyökalua, jota ei voida käynnistää ja pysäyttää virtakytkimestä.** Sähkötyökalu, jota ei enää voida käynnistää ja pysäyttää käynnistyskytkimellä, on vaarallinen ja se täytyy korjata.
- Irrota pistotulppa pistorasiasta, ennen kuin suoritat säätöjä, vaihdat tarvikkeita tai siirrät sähkötyökalun varastoitavaksi.** Nämä turvatoimenpiteet pienentävät sähkötyökalun tahattoman käynnistysriskin.
- Säilytä sähkötyökalut poissa lasten ulottuvilta, kun niitä ei käytetä. Älä anna sellaisten henkilöiden käyttää sähkötyökalua, jotka eivät tunne sitä tai jotka eivät ole lukeneet tätä käyttöohjetta.** Sähkötyökalut ovat vaarallisia, jos niitä käyttävät kokemattomat henkilöt.

- e. **Hoida sähkötyökalusi huolella. Tarkista, että liikkuvat osat toimivat moitteettomasti, eivätkä ole puristuksessa ja että työkalussa ei ole murtuneita tai vahingoittuneita osia, jotka saattaisivat vaikuttaa haitallisesti sen toimintaan. Korjattavia mahdolliset viat ennen käyttöönottoa.** Moni tapaturma aiheutuu huonosti huolletuista laitteista.
- f. **Pidä leikkausterät terävinä ja puhtaina.** Huolellisesti hoidetut leikkaustyökalut, joiden leikkausreunat ovat teräviä, eivät tartu helposti kiinni ja niitä on helpompi hallita.
- g. **Käytä sähkötyökaluja, tarvikkeita, vaihtotyökaluja jne. näiden ohjeiden mukaisesti ja tavalla, joka on tarkoitettu erityisesti kyseiselle sähkötyökalulle. Ota tällöin huomioon työolosuhteet ja suoritettava toimenpide.** Sähkötyökalun käyttö muuhun kuin sille määrättyyn käyttöön, saattaa johtaa vaarallisiin tilanteisiin.
5. **Huolto**
- a. **Anna koulutettujen ammattitaitoisten henkilöiden korjata sähkötyökalusi ja hyväksy korjauksiin vain alkuperäisiä varaosia.** Täten varmistat, että sähkötyökalu säilyy turvallisena.

#### Lisäturvaohjeet hiomakoneelle

- ◆ Käytä kasvosuojaa hiottaessa.
- ◆ Hiomisen jälkeen poista pöly huolellisesti.
- ◆ Ole erityisen varovainen hioessasi maalipintoja, jotka voivat sisältää lyijyä, tai puu- tai metallipintoja, jotka voivat erittäin myrkyllistä hiomapölyä.
  - Käytä erityismuotoitua, lyijypitoisen maalin pölyltä ja höyryiltä suojaavaa kasvosuojaa. Varmista, että sekä työpaikalla olevat että sen läheisyyteen saapuvat ihmiset käyttävät suojaa.
  - Älä anna lasten tai raskaana olevien naisten olla työalueella.
  - Älä syö, juo tai tupakoi työalueella.
  - Hävitä pöly ja muu jäte ympäristöstävällisesti.
- ◆ Laita pölykasetti paikalleen ennen kuin aloitat puun hiomisen.
- ◆ Poista pölykasetti ennen kuin aloitat metallisten kappaleiden työstämisen.
- ◆ Älä koskaan käytä konetta ilman hiomapaperia.
- ◆ Älä koskaan käytä konetta ilman hioma-alustaa.
- ◆ Tätä laitetta ei ole tarkoitettu nuorten henkilöiden käyttöön tai vajaavaltaiten henkilöiden käyttöön ilman valvontaa. Lapsia on valvottava, etteivät he leiki koneen kanssa.
- ◆ Jos sähköjohto on vaurioitunut, se saadaan vaihtaa vain valtuutetussa Black & Deckerin huolto liikkeessä vaaratilanteiden välttämiseksi.

#### Sähköturvallisuus



Tämä laite on kaksoiseristetty; siksi erillistä maadoitusta ei tarvita. Tarkista aina, että virtalähde vastaa arvokivessä ilmoitettua jännitettä.

#### Yleiskuvasu

Tällä koneella on kaikki tai joitakin seuraavista ominaisuuksista.

1. Virrankatkaisija
2. Mukava geeliosa (vain KA270GT(K))
3. Pölykasetti
4. Suuri hioma-alusta
5. Kärjen pidike
6. Hioma-alustan kärki

#### Kuva A

7. Pyöreä hioma-alusta
8. Muotoilulisäosa (vain KA270(GT)K)
9. Muotoilukärjet (vain KA270(GT)K)
10. Jatkokärki (vain KA270(GT)K)
11. Hioma-alustan lisäkärki (vain KA270(GT)K)
12. Jatkokärki (vain KA270LDK)

#### Kokoaminen

**Varoitus!** Ennen kokoamista varmista, että kone on pois päältä eikä sitä ole liitetty virtalähteeseen.

#### Pyöreä hioma-alusta

Tämän hioma-alustan avulla voit käyttää konetta epäkeskiohiomakoneena.

#### Hioma-alustan kiinnitys ja poisto (kuva B)

- ◆ Laita hioma-alusta (7) karaan (13).
- ◆ Laita aluslaatta (14) karaan.
- ◆ Laita kuusiokoloruuvi (15) karan reikään.
- ◆ Kiristä kuusiokoloruuvi koneen mukana toimitetulla kuusiokoloavaimella (16).
- ◆ Poistaaksesi hioma-alustan irrota kuusiokoloruuvi (15) ja aluslaatta (14).

#### Hiomapaperin kiinnitys (kuva C)

- ◆ Pidä koneesta kiinni siten, että hioma-alusta (7) on ylöspäin.
- ◆ Laita hiomapaperi (17) hioma-alustan (7) päälle. Paperin reikien ei tarvitse olla kohdakkain hioma-alustassa olevien reikien kanssa.

#### Suuri hioma-alusta

Tämän hioma-alustan avulla voit käyttää konetta sekä kärki- että tasohiomakoneena.

### Hioma-alustan kiinnitys ja poisto (kuvat D & E)

Kun haluat hioa kulmia ja vaikeita paikkoja, kärkipään tulee osoittaa eteenpäin kuvan D osoittamalla tavalla. Kun hiot suuria alueita, kärkipään tulee osoittaa taaksepäin kuvan E osoittamalla tavalla.

- ◆ Laita hioma-alusta (4) karaan (13). Varmista, että pohjan "jalat" ovat työkalussa.
- ◆ Laita aluslaatta (14) karaan.
- ◆ Laita kuusiokoloruuvi (15) karan reikään.
- ◆ Kiristä kuusiokoloruuvi koneen mukana toimitetulla kuusiokoloavaimella (16).
- ◆ Poistaaksesi hioma-alustan irrota kuusiokoloruuvi (15) ja aluslaatta (14).

### Hiomapaperin kiinnitys (kuva F)

- ◆ Irrota kaksi irtokärkeä (18) hiomapaperista (19).
- ◆ Pidä koneesta kiinni siten, että hioma-alusta on ylöspäin.
- ◆ Paina hiomapaperi (19) hioma-alustaan varmistuen, että paperissa olevat reiät ovat kohdakkain hioma-alustassa olevien reikien kanssa.

Irtokärki (18) voidaan kääntää ja vaihtaa, kun se on kulunut.

- ◆ Kun kärjen etuosa on kulunut, irrota se paperista, käännä se ja paina kiinni hioma-alustaan.
- ◆ Kun koko kärki on kulunut, poista se ja laita tilalle uusi kärki.

### Hioma-alustan kärki (kuva G)

Kun hioma-alustan kärki (6) on kulunut, se voidaan kääntää tai vaihtaa. Kun kärjen pidike (5) on kulunut, se voidaan vaihtaa.

Varaosia on saatavana Black & Decker -jälleenmyyjältä.

- ◆ Irrota ruuvi (20).
- ◆ Käännä tai vaihda kulunut osa.
- ◆ Laita ruuvi paikalleen ja kiristä se.

### Jatkokärki (kuva H)

Jatkokärjellä hiotaan vaikeapääsyisiä paikkoja.

- ◆ Irrota ruuvi (20).
- ◆ Irrota kärjen pidike (5) hioma-alustasta.
- ◆ Kiinnitä jatkokärki (10) hioma-alustaan.
- ◆ Laita ruuvi paikalleen ja kiristä se.
- ◆ Kiinnitä sopiva hiomapaperi (21) jatkokärkeen.

### Muotoilulisäosa

Muotoilulisäosaa käytetään reunahiontaan.

### Muotoilulisäosan kiinnitys (kuva I)

- ◆ Irrota ruuvi (20).
- ◆ Irrota kärjen pidike (5) hioma-alustasta.
- ◆ Kiinnitä muotoilulisäosa (8) hioma-alustaan.
- ◆ Laita ruuvi paikalleen ja kiristä se.

### Muotoilukärjen (kuvat J1 & J2) kiinnitys ja irrotus

- ◆ Valitse parhaiten tarkoitukseen sopiva muotoilukärki.
- ◆ Aseta muotoilukärjen (9) toinen pää uraan, joka on muotoilulisäosan (8) etuosassa.
- ◆ Työnnä ja paina muotoilukärjen toista päätä, kunnes se napsahtaa paikalleen.
- ◆ Muotoilukärki (9) irrotetaan työntämällä sitä eteenpäin ja vetämällä takapää ulos muotoilulisäosasta (8).

### Hiomapaperin kiinnitys muotoilukärkeen (kuva K)

- ◆ Kohdista hiomapaperi (22) muotoilukärkeen (9).
- ◆ Paina hiomapaperi kiinni muotoilukärkeen ja varmista, että hiomapaperi noudattaa kärjen muotoa.

### Jatkokärki (kuvat L & M)

Jatkokärkeä käytettäessä on mahdollista työstää uria.

- ◆ Irrota ruuvi (20).
- ◆ Irrota kärjen pidike (5) hioma-alustasta.
- ◆ Kiinnitä jatkokärki (12) hioma-alustaan.
- ◆ Laita ruuvi paikalleen ja kiristä se.
- ◆ Kiinnitä sopiva hiomapaperi (23) jatkokärkeen.

Tarrakiinnikkeen (24) lisäosa voidaan kiinnittää jatkokärjen (12) päälle, jotta hionta molempia puolia käyttäen on mahdollista.

- ◆ Irrota taustapaperi tarrakiinnikkeestä (24).
- ◆ Kiinnitä tarrakiinnike jatkokärjen yläpintaan.
- ◆ Kiinnitä hiomapaperi (23) tarrakiinnikkeeseen.

### Käyttö

**Varoitus!** Anna koneen käydä omaan tahtiinsa.

Älä ylikuormita sitä.

**Varoitus!** Älä peitä ilma-aukkoja, kun käytät tätä konetta.

Pidä koneesta kiinni kuvan Q osoittamalla tavalla. Varmista, että hioma-alusta on kokonaan työstökappaleen pinnalla.

### Käynnistys ja pysäytys (kuva N)

- ◆ Käynnistä kone painamalla virrankatkaisija (1) asentoon I.
- ◆ Sammuta kone painamalla virrankatkaisija (1) asentoon O.

### Automaattinen jarrujärjestelmä (ABS)

Tässä koneessa on automaattinen jarrujärjestelmä. Kun kone ei ole työstettävällä pinnalla, järjestelmä pitää hioma-alustan nopeuden moottorin nopeutta pienempänä.

Kun kone sammutetaan, alusta pysähtyy nopeasti.

### Pölykasetin tyhjennys (kuvat O & P)

Pölykasetti on tyhjennettävä 10 minuutin välein.

- ◆ Vedä pölykasettia (3) taaksepäin ja poista se koneesta.
- ◆ Poista kansi (25) kiertämällä sitä vastapäivään.
- ◆ Pidä pölykasettia suodatin (26) alaspäin ja ravista sitä, jotta se tyhjentyy. Tyhjennä pölypussi ravistamalla sitä.

- ◆ Pane pölykasetin kansi (25) takaisin paikalleen kiertämällä sitä myötöpäivään, kunnes se lukittuu paikalleen.
- ◆ Laita pölykasetti takaisin työkaluun.

## Pölykasetin suodattimen puhdistus.

Pölykasetin suodatinta voidaan käyttää kerta toisensa jälkeen; siksi se on puhdistettava säännöllisesti.

- ◆ Tyhjennä pölykasetti (3) yllä kuvatulla tavalla.
- ◆ Vedä suodatin (26) pölykasetista.
- ◆ Ravista ylimääräinen pöly pois ravistamalla suodatinta roska-astiassa.

**Varoitus!** Älä puhdistusta suodatinta harjaamalla, paineilmalla tai terävillä esineillä. Älä pese suodatinta.

- ◆ Vaihda suodatin.
- ◆ Aseta kansi takaisin paikalleen.
- ◆ Laita pölykasetti takaisin työkaluun.

## Vinkkejä parhaimman tuloksen saamiseksi

- ◆ Työkalua voidaan käyttää valinnan mukaan yhdellä tai kahdella kädellä (kuva Q). Älä pane käsiä ilma-aukkojen päälle.
- ◆ Älä paina konetta liikaa.
- ◆ Tarkista hiomapaperi säännöllisesti. Vaihda se tarvittaessa.
- ◆ Hio aina puun syiden mukaisesti.
- ◆ Hiottaessa maalikerrosten välillä on käytettävä erittäin hienoa hiomapaperia.
- ◆ Aloita karkealla hiomapaperilla hioessasi epätasaisia pintoja tai poistaessasi maalia. Kun hiot muunlaisia pintoja, aloita keskikarkealla hiomapaperilla.
- ◆ Vaihda molemmissa tapauksissa asteittain hienompaan hiomapaperiin tasaisen pinnan aikaansaamiseksi.
- ◆ Saat lisätietoja saatavilla olevista tarvikkeista jälleenmyyjältäsi.

## Huolto

Laitte on suunniteltu toimimaan mahdollisimman pitkän aikaa mahdollisimman vähällä huollolla. Kun laitetta huolletaan oikein ja puhdistetaan säännöllisesti, se säilyttää suorituskykynsä.

- ◆ Puhdista jäähdytysventtiilit ja –aukot puhtaalla ja kuivalla harjalla.
- ◆ Puhdista koneen kuori puhtaalla, kostealla rievulla.
- ◆ Älä käytä liuottimia.

## Ympäristö



Erillinen keräys. Tätä tuotetta ei saa hävittää normaalin kotitalousjätteen kanssa.

Kun Black & Decker -koneesi on käytetty loppuun, älä hävitä sitä kotitalousjätteen mukana. Tämä tuote on kerättävä erikseen.



Käytettyjen tuotteiden ja pakkausten erillinen keräys mahdollistaa materiaalin kierrätyksen ja uudelleenkäytön. Kierrätettyjen materiaalien uudelleenkäyttö auttaa ehkäisemään ympäristön saastumisen ja vähentää raaka-aineiden kysyntää.

Paikallisten säännösten mukaisesti on mahdollista viedä kotitalouksien sähkölaitteet kuntien kaatopaikoille tai jättää ne vähittäismyyjälle ostettaessa uusi tuote.

Black & Decker tarjoaa mahdollisuuden Black & Decker – tuotteiden keräykseen ja kierrätykseen sen jälkeen, kun ne on poistettu käytöstä. Jotta voisit hyötyä tästä palvelusta, palauta laitteesi johonkin valtuutettuun huoltoliikkeeseen, joka kerää laitteet meidän puolestamme.

Voit tarkistaa lähimmän valtuutetun huoltoliikkeen sijainnin ottamalla yhteyden Black & Deckerin toimistoon, joka sijaitsee tässä käsikirjassa annetussa osoitteessa. Lista valtuutetuista Black & Decker -huoltoliikkeistä sekä yksityiskohtaiset tiedot korjauspalvelustamme ovat vaihtoehtoisesti saatavilla Internetissä, osoitteessa [www.2helpU.com](http://www.2helpU.com)

## Tekniset tiedot

	KA270
Jännite	V <sub>AC</sub> 230
Ottoteho	W 170
Hiomaliikkeet (kuormittamaton)	min <sup>-1</sup> 11.000
Kierrosnopeus (kuormittamaton)	min <sup>-1</sup> 22.000
Paino	kg 1,53

## EU:n yhdenmukaisuusilmoitus

KA270

Black & Decker vakuuttaa näiden tuotteiden olevan seuraavien standardien vaatimusten mukaisia:  
98/37/EC, 89/336/EEC, EN 60745, EN 55014, EN 61000

L<sub>PA</sub> (äänenpaine) 78 dB(A), L<sub>WA</sub> (akustinen teho) 89 dB(A),  
käden/käsivarren painotettu värinä 8,8 m/s<sup>2</sup>

K<sub>PA</sub> (äänenpaineen epävarmuus) 3 dB(A),  
K<sub>WA</sub> (akustisen tehon epävarmuus) 3 dB(A)

Kevin Hewitt  
Director of Consumer Engineering  
Spennymoor, County Durham DL16 6JG,  
Iso-Britannia  
1-5-2005

## Korjaukset / varaosat

Mikäli koneeseen tulee vikaa, jätä se aina Black & Deckerin valtuuttamaan huoltoliikkeeseen korjattavaksi (tiedot löytyvät uusimmasta tuoteluettelostamme tai ottamalla yhteyttä Black & Decker Oy:hyn). Varaosia myyvät valtuutetut Black & Deckerin huoltoliikkeet, ja heiltä voi myös pyytää kustannusarvion koneen korjauksesta.

Tiedot valtuutetuista huoltoliikkeistä löytyvät myös internetistä osoitteesta [www.2helpU.com](http://www.2helpU.com) sekä kotisivuiltamme [www.blackanddecker.fi](http://www.blackanddecker.fi)

## Takuu

Black & Decker Oy takaa, ettei koneessa ollut materiaali- ja/ tai valmistusvikaa silloin, kun se toimitettiin ostajalle. Takuu on lisäys kuluttajan laillisiin oikeuksiin eikä vaikuta niihin. Takuu on voimassa Euroopan Unionin jäsenmaissa ja Euroopan vapaakauppa-alueella (EFTA).

Mikäli Black & Decker -kone hajoaa materiaali- ja/ tai valmistusvirheen tai teknisten tietojen epätarkkuuden vuoksi 24 kk:n kuluessa ostopäivästä, Black & Decker korjaa koneen ilman kustannuksia ostajalle tai vaihtaa sen uuteen Black & Decker Oy:n valinnan mukaan.

Takuu ei kata vikoja, jotka johtuvat koneen

- ◆ normaalista kulumisesta
- ◆ ylikuormituksesta, virheellisestä käytöstä tai hoidosta
- ◆ vahingoittamisesta vieraalla esineellä tai aineella tai onnettomuustapauksessa.

Takuu ei ole voimassa, mikäli konetta on korjannut joku muu kuin Black & Deckerin valtuuttama huoltoliike.

Edellytyksenä takuun saamiselle on, että ostaja jättää koneen ja ostokuitin jälleenmyyjälle tai valtuutetulle huoltoliikkeelle viimeistään 2 kuukauden kuluessa vian ilmenemisestä.

Tiedot valtuutetuista huoltoliikkeistä saa ottamalla yhteyttä Black & Decker Oy:hyn sekä internetistä osoitteesta [www.2helpU.com](http://www.2helpU.com), jossa on myös takuehdot.

Voit vieraillla verkkosivullamme [www.blackanddecker.fi](http://www.blackanddecker.fi) rekisteröidäksesi uuden Black & Decker-tuotteesi ja saadaksesi tietoa uusista tuotteista ja erikoistarjouksista. Saat lisätietoja Black & Deckerin tavaramerkistä ja tuotevalikoimastamme osoitteesta [www.blackanddecker.fi](http://www.blackanddecker.fi)

## Ενδεδειγμένη χρήση

Το τριβείο σας της Black & Decker έχει σχεδιαστεί για τη λείανση ξύλου, μετάλλου, πλαστικών και βαμμένων επιφανειών. Αυτό το εργαλείο προορίζεται μόνο για ερασιτεχνική χρήση.

## Γενικοί κανόνες ασφαλείας

**Προειδοποίηση!** Διαβάστε όλες τις υποδείξεις. Η μη τήρηση όλων των παρακάτω υποδείξεων μπορεί να προκαλέσει ηλεκτροπληξία, πυρκαγιά ή/και σοβαρούς τραυματισμούς. Ο χαρακτηρισμός "ηλεκτρικό εργαλείο" που χρησιμοποιείται στις παρακάτω προειδοποιητικές υποδείξεις αφορά ή το εργαλείο που συνδέεται στην πρίζα (με καλώδιο) ή το εργαλείο που λειτουργεί με μπαταρία (χωρίς καλώδιο). ΦΥΛΑΞΤΕ ΑΥΤΕΣ ΤΙΣ ΟΔΗΓΙΕΣ.

1. **Χώρος εργασίας**
  - α. **Διατηρείτε το χώρο που εργάζεστε καθαρό και καλά φωτισμένο.** Η αταξία στο χώρο που εργάζεστε και τα σημεία χωρίς καλό φωτισμό μπορεί να οδηγήσουν σε ατυχήματα.
  - β. **Μη χρησιμοποιείτε τα ηλεκτρικά εργαλεία σε περιβάλλον όπου υπάρχει κίνδυνος έκρηξης, π.χ. παρουσία εύφλεκτων υγρών, αερίων ή σκόνης.** Τα ηλεκτρικά εργαλεία μπορεί να δημιουργήσουν σπινθηρισμό ο οποίος μπορεί να αναφλέξει τη σκόνη ή τις αναθυμιάσεις.
  - γ. **Όταν χρησιμοποιείτε το ηλεκτρικό εργαλείο, κρατάτε τα παιδιά και τα υπόλοιπα άτομα μακριά από το χώρο που εργάζεστε.** Σε περίπτωση που άλλα άτομα αποσπάσουν την προσοχή σας μπορεί να χάσετε τον έλεγχο του μηχανήματος.
2. **Ασφαλής χρήση του ηλεκτρικού ρεύματος**
  - α. **Το φως του καλωδίου του ηλεκτρικού εργαλείου πρέπει να ταιριάζει στην αντίστοιχη πρίζα. Δεν επιτρέπεται με κανένα τρόπο η μετασκευή του φως. Μη χρησιμοποιείτε προσαρμοστικά φως στα γειωμένα ηλεκτρικά εργαλεία.** Τα φως που δεν έχουν υποστεί τροποποιήσεις και οι κατάλληλες πρίζες μειώνουν τον κίνδυνο ηλεκτροπληξίας.
  - β. **Αποφεύγετε την επαφή του σώματός σας με γειωμένες επιφάνειες όπως σωλήνες, θερμαντικά σώματα (καλοριφέρ), κουζίνες και ψυγεία.** Όταν το σώμα σας είναι γειωμένο, αυξάνεται ο κίνδυνος ηλεκτροπληξίας.
  - γ. **Μην εκθέτετε το ηλεκτρικό εργαλείο στη βροχή ή την υγρασία.** Η διείσδυση νερού στο ηλεκτρικό εργαλείο αυξάνει τον κίνδυνο ηλεκτροπληξίας.
  - δ. **Μην κακομεταχειρίζεστε το καλώδιο. Μη χρησιμοποιήσετε ποτέ το καλώδιο για να μεταφέρετε, να τραβήξετε ή να αποσυνδέσετε το εργαλείο από την πρίζα. Κρατάτε το καλώδιο μακριά από υψηλές θερμοκρασίες, λάδια, κοφτερές ακμές ή κινούμενα εξαρτήματα.** Τυχόν χαλασμένα ή μπερδεμένα καλώδια αυξάνουν τον κίνδυνο ηλεκτροπληξίας.
- ε. **Όταν χρησιμοποιείτε το ηλεκτρικό εργαλείο σε εξωτερικούς χώρους, να χρησιμοποιείτε πάντοτε προεκτάσεις (μπαλαντέζες) που έχουν εγκριθεί για χρήση σε εξωτερικούς χώρους.** Η χρήση προεκτάσεων εγκριμένων για εργασία σε εξωτερικούς χώρους μειώνει τον κίνδυνο ηλεκτροπληξίας.
3. **Ασφάλεια προσώπων**
  - α. **Όταν χρησιμοποιείτε το ηλεκτρικό εργαλείο, να είστε προσεκτικοί, να δίνετε προσοχή στην εργασία που κάνετε και να επιστρατεύετε την κοινή λογική. Μη χρησιμοποιείτε το ηλεκτρικό εργαλείο όταν είστε κουρασμένοι ή όταν βρίσκεστε υπό την επήρεια ναρκωτικών, οινοπνεύματος ή φαρμάκων.** Μια στιγμιαία απροσεξία κατά το χειρισμό του ηλεκτρικού εργαλείου μπορεί να οδηγήσει σε σοβαρούς τραυματισμούς.
  - β. **Να χρησιμοποιείτε εξοπλισμό ασφαλείας. Να φοράτε πάντα προστατευτικά γυαλιά.** Ο κίνδυνος τραυματισμών μειώνεται όταν χρησιμοποιείτε εξοπλισμό ασφαλείας, όπως μάσκα προστασίας από σκόνη, αντιολισθητικά παπούτσια ασφαλείας, κράνη ή ωτασπίδες, ανάλογα με τις συνθήκες εργασίας.
  - γ. **Αποφεύγετε την αθέλητη θέση σε λειτουργία του ηλεκτρικού εργαλείου. Βεβαιωθείτε, ότι ο διακόπτης λειτουργίας βρίσκεται στη θέση "OFF" πριν συνδέσετε το ηλεκτρικό εργαλείο στην πρίζα.** Αν μεταφέρετε το ηλεκτρικό εργαλείο έχοντας το δάκτυλό σας πάνω στο διακόπτη λειτουργίας ή αν συνδέσετε το ηλεκτρικό εργαλείο στην πρίζα όταν ο διακόπτης λειτουργίας βρίσκεται στη θέση "ON", αυτό μπορεί να οδηγήσει σε σοβαρούς τραυματισμούς.
  - δ. **Πριν θέσετε το ηλεκτρικό εργαλείο σε λειτουργία, αφαιρέστε τυχόν εργαλεία ή κλειδιά ρύθμισης.** Ενα εργαλείο ή κλειδί συναρμολογημένο στο περιστρεφόμενο εξάρτημα ενός ηλεκτρικού εργαλείου μπορεί να προκαλέσει τραυματισμούς.
  - ε. **Μην τεντώνεστε. Φροντίστε πάντοτε να έχετε την κατάλληλη στάση και να διατηρείτε την ισορροπία σας.** Αυτό σας επιτρέπει τον καλύτερο έλεγχο του ηλεκτρικού εργαλείου σε περιπτώσεις απροσδόκτων καταστάσεων.
  - στ. **Φοράτε κατάλληλη ενδυμασία εργασίας. Μη φοράτε φαρδιά ρούχα ή κοσμήματα. Κρατάτε τα μαλλιά, τα ενδύματα και τα γάντια σας μακριά από τα κινούμενα εξαρτήματα.** Τα φαρδιά ρούχα, τα κοσμήματα και τα μακριά μαλλιά μπορεί να εμπλακούν στα κινούμενα εξαρτήματα.
  - ζ. **Αν προβλέπονται διατάξεις απαγωγής και συλλογής της σκόνης, βεβαιωθείτε ότι είναι συνδεδεμένες και ότι χρησιμοποιούνται σωστά.** Η χρήση τέτοιων διατάξεων μειώνει τους κινδύνους που προέρχονται από τη σκόνη.

4. Χρήση και συντήρηση του ηλεκτρικού εργαλείου
- α. **Μην υπερφορτώνετε το ηλεκτρικό εργαλείο.**  
Χρησιμοποιείτε για την εκάστοτε εργασία σας το ηλεκτρικό εργαλείο που προορίζεται γι' αυτήν. Με το κατάλληλο ηλεκτρικό εργαλείο εργάζεσθε καλύτερα και ασφαλέστερα στην ονομαστική περιοχή ισχύος του.
- β. **Μη χρησιμοποιήσετε ποτέ ένα ηλεκτρικό εργαλείο του οποίου ο διακόπτης λειτουργίας είναι χαλασμένος.**  
Ένα ηλεκτρικό εργαλείο του οποίου η λειτουργία δεν μπορεί να ελεγχθεί με το διακόπτη είναι επικίνδυνο και πρέπει να επισκευαστεί.
- γ. **Βγάλτε το φως από την πρίζα πριν διεξάγετε κάποια εργασία ρύθμισης στο ηλεκτρικό εργαλείο, πριν αλλάξετε κάποιο εξάρτημα ή όταν πρόκειται να το αποθηκεύσετε.** Αυτά τα προληπτικά μέτρα ασφαλείας μειώνουν τον κίνδυνο να θεθεί το μηχανήμα αθέλητα σε λειτουργία.
- δ. **Να φυλάτε τα ηλεκτρικά εργαλεία που δεν χρησιμοποιείτε μακριά από παιδιά. Μην αφήνετε άτομα που δεν είναι εξοικειωμένα με το ηλεκτρικό εργαλείο ή που δεν έχουν διαβάσει αυτές τις οδηγίες χρήσης να το χρησιμοποιήσουν.**  
Τα ηλεκτρικά εργαλεία είναι επικίνδυνα όταν χρησιμοποιούνται από άπειρα άτομα.
- ε. **Να συντηρείτε τα ηλεκτρικά εργαλεία. Ελέγξτε εάν τα κινούμενα μέρη είναι σωστά ευθυγραμμισμένα ή αν έχουν μπλοκάρει, εάν έχουν σπάσει κομμάτια και εάν πληρούνται όλες οι υπόλοιπες συνθήκες που ενδεχομένως να επηρεάσουν τη σωστή λειτουργία του εργαλείου. Δώστε τυχόν χαλασμένα εξαρτήματα του ηλεκτρικού εργαλείου για επισκευή πριν το χρησιμοποιήσετε πάλι.** Η ανεπαρκής συντήρηση των ηλεκτρικών εργαλείων αποτελεί αιτία πολλών ατυχημάτων.
- στ. **Διατηρείτε τα κοπτικά εργαλεία κοφτερά και καθαρά.**  
Τα κοπτικά εργαλεία με αιχμηρά κοπτικά άκρα που συντηρούνται σωστά έχουν λιγότερες πιθανότητες να μπλοκάρουν και ελέγχονται ευκολότερα.
- ζ. **Να χρησιμοποιείτε τα ηλεκτρικά εργαλεία, τα εξαρτήματα και τα άκρα των εργαλείων κλπ σύμφωνα με τις παρούσες οδηγίες καθώς και όπως προθλέπεται για τον κάθε τύπο μηχανήματος, λαμβάνοντας υπόψη σας τις συνθήκες εργασίας και την εργασία που θέλετε να εκτελέσετε.** Η χρήση του ηλεκτρικού εργαλείου για άλλες εκτός από τις προβλεπόμενες εργασίες μπορεί να δημιουργήσει επικίνδυνες καταστάσεις.
5. Σέρβις
- α. **Το σέρβις του ηλεκτρικού σας εργαλείου πρέπει να αναλαμβάνει έμπειρος τεχνικός που θα χρησιμοποιεί μόνο γνήσια ανταλλακτικά.** Έτσι εξασφαλίζεται η διατήρηση της ασφάλειας του ηλεκτρικού εργαλείου.

### Συμπληρωματικές οδηγίες ασφαλείας για τριβεία

- ◆ Κατά τη λείανση, φορέστε - κατά προτίμηση - μια μάσκα προστασίας από τη σκόνη.
- ◆ Μετά τη λείανση, καθαρίστε καλά τη σκόνη.
- ◆ Να προσέχετε ιδιαίτερα κατά τη λείανση χρωμάτων, τα οποία ενδέχεται να έχουν βάση μολύβδου ή κατά τη λείανση ορισμένων ειδών ξύλου ή μετάλλου, τα οποία ενδέχεται να παράγουν τοξική σκόνη.
  - Φορέστε μάσκα σκόνης ειδικά σχεδιασμένη για προστασία έναντι της σκόνης και των αναθυμιάσεων μολύβδου και βεβαιωθείτε ότι τα άτομα που βρίσκονται μέσα ή εισέρχονται στο χώρο εργασίας είναι επίσης προστατευμένα.
  - Μην επιτρέπετε σε παιδιά ή εγκύους να εισέρχονται στο χώρο εργασίας.
  - Μην τρώτε, πίνετε ή καπνίζετε στο χώρο εργασίας.
  - Απορρίψτε σωστά τα σωματίδια της σκόνης και τα άλλα υπολείμματα.
- ◆ Πριν τη χρήση του εργαλείου σε ξύλινα τεμάχια εργασίας, τοποθετήστε την κασέτα συλλογής σκόνης.
- ◆ Πριν τη χρήση του εργαλείου σε μεταλλικά τεμάχια εργασίας, αφαιρέστε την κασέτα συλλογής σκόνης.
- ◆ Ποτέ μη χρησιμοποιείτε το εργαλείο χωρίς να έχετε τοποθετήσει φύλλο γυαλόχαρτου.
- ◆ Ποτέ μη χρησιμοποιείτε το εργαλείο χωρίς να έχετε τοποθετήσει την βάση λείανσης.
- ◆ Αυτό το εργαλείο δεν πρέπει να χρησιμοποιηθεί από νέους ή ασταθές άτομα χωρίς επιτήρηση. Τα παιδιά πρέπει να επιτηρηθούν για να βεβαιωθείτε ότι δεν παίζουν με το εργαλείο.
- ◆ Αν το καλώδιο ρεύματος έχει υποστεί βλάβη, πρέπει να αντικατασταθεί από τον κατασκευαστή ή από εξουσιοδοτημένο Κέντρο Επισκευών Black & Decker ώστε να αποφεύγετε τους κινδύνους.

### Ασφαλής χρήση του ηλεκτρικού ρεύματος



Αυτό το εργαλείο φέρει διπλή μόνωση, επομένως δεν απαιτείται σύρμα γείωσης. Ελέγχετε πάντοτε αν η τάση τροφοδοσίας αντιστοιχεί σε αυτήν που αναγράφεται στην πινακίδα στοιχείων του εργαλείου.

### Χαρακτηριστικά

Το εργαλείο διαθέτει όλα ή ορισμένα από τα εξής χαρακτηριστικά.

1. Διακόπτης on/off
2. Άνετη χειρολαβή με τζελΜόνω (KA270GT(K))
3. Κασέτα συλλογής σκόνης
4. Μεγάλη βάση λείανσης ακριβείας
5. Στήριγμα μύτης
6. Αιχμή της βάσης λείανσης

**Εικ. Α**

7. Παλινδρομική βάση λειάνσης
8. Εξάρτημα προφίλ (Μόνο ΚΑ270(GT)Κ)
9. Προφίλ λειάνσης (Μόνο ΚΑ270(GT)Κ)
10. Εξάρτημα δακτύλου ακριβείας (Μόνο ΚΑ270(GT)Κ)
11. Εφεδρική αιχμή βάσης λειάνσης (Μόνο ΚΑ270(GT)Κ)
12. Εξάρτημα για καμπύλα περιγράμματα (Μόνο ΚΑ270LDK)

**Συναρμολογήση**

**Προειδοποίηση!** Πριν από τη συναρμολογήση, βεβαιωθείτε ότι το εργαλείο είναι σβηστό και ότι το φως του δεν είναι στην πρίζα.

**Παλινδρομική βάση λειάνσης**

Με αυτήν την βάση λειάνσης μπορείτε να χρησιμοποιείτε το εργαλείο όπως ένα παλινδρομικό τριβείο.

**Τοποθέτηση και αφαίρεση της θάσης λειάνσης (εικ. Β)**

- ◆ Τοποθετήστε την βάση λειάνσης (7) πάνω στην άτρακτο (13).
- ◆ Τοποθετήστε την ροδέλα (14) πάνω στην άτρακτο.
- ◆ Εισαγάγετε την βίδα Allen (15) στην οπή της βίδας στην άτρακτο.
- ◆ Σφίξτε καλά τη βίδα Allen χρησιμοποιώντας το παρεχόμενο κλειδί Allen (16).
- ◆ Για να αφαιρέσετε την βάση λειάνσης, αφαιρέστε την βίδα Allen (15) και την ροδέλα (14).

**Τοποθέτηση φύλλων γυαλόχαρτου (εικ. C)**

- ◆ Κρατήστε το εργαλείο με τη βάση λειάνσης (7) στραμμένη προς τα πάνω.
- ◆ Τοποθετήστε το φύλλο γυαλόχαρτου (17) πάνω στην βάση λειάνσης (7). Οι σπές στα φύλλα δεν χρειάζεται να έρθουν στην ίδια ευθεία με εκείνες της βάσης.

**Μεγάλη θάση λειάνσης ακριβείας**

Με αυτήν την βάση λειάνσης μπορείτε να χρησιμοποιείτε το εργαλείο όπως ένα τριβείο ακριβείας ή ένα παλινδρομικό τριβείο.

**Τοποθέτηση και αφαίρεση της θάσης λειάνσης (εικ. D & E)**

Για λείανση ακριβείας, το αιχμηρό άκρο πρέπει να είναι στραμμένο εμπρός όπως φαίνεται στην εικ. D. Για λείανση σε μεγάλες επιφάνειες, το αιχμηρό άκρο πρέπει να είναι στραμμένο προς τα πίσω όπως φαίνεται στην εικ. E.

- ◆ Τοποθετήστε την βάση λειάνσης (4) πάνω στην άτρακτο (13). Βεβαιωθείτε ότι τα πόδια της βάσης βρίσκονται στο εργαλείο.
- ◆ Τοποθετήστε την ροδέλα (14) πάνω στην άτρακτο.
- ◆ Εισαγάγετε την βίδα Allen (15) στην οπή της βίδας στην άτρακτο.
- ◆ Σφίξτε καλά τη βίδα Allen χρησιμοποιώντας το παρεχόμενο κλειδί Allen (16).

- ◆ Για να αφαιρέσετε την βάση λειάνσης, αφαιρέστε την βίδα Allen (15) και την ροδέλα (14).

**Τοποθέτηση φύλλων γυαλόχαρτου (εικ. F)**

- ◆ Αποσυνδέστε τις διαμαντέ μύτες (18) από το φύλλο γυαλόχαρτου (19).
- ◆ Κρατήστε το εργαλείο με την βάση λειάνσης στραμμένη προς τα πάνω.
- ◆ Τοποθετήστε το φύλλο γυαλόχαρτου (19) στη βάση λειάνσης, και βεβαιωθείτε ότι οι σπές του φύλλου συμπίπτουν με τις σπές της βάσης.

Η διαμαντέ μύτη (18) μπορεί να γυριστεί από την άλλη πλευρά και να αντικατασταθεί όταν φθαρεί.

- ◆ Όταν το μπροστινό μέρος της μύτης έχει φθαρεί, αποσυνδέστε το από το φύλλο, γυρίστε το από την άλλη πλευρά και πιέστε το πάλι μέσα στην βάση λειάνσης.
- ◆ Όταν έχει φθαρεί όλη η μύτη, αφαιρέστε την από την βάση λειάνσης και τοποθετήστε μια νέα μύτη.

**Η αιχμή της θάσης λειάνσης (εικ. G)**

Όταν φθαρεί η αιχμή της βάσης λειάνσης (6), μπορεί να αναποδογυριστεί ή να αντικατασταθεί. Όταν ο στήριγμα άκρου της μύτης (5) φθαρεί, μπορεί να αντικατασταθεί. Το δικό σας εξουσιοδοτημένο κατάστημα Black & Decker διαθέτει ανταλλακτικά.

- ◆ Αφαιρέστε τη βίδα (20).
- ◆ Αναποδογυρίστε ή αντικαταστήστε το φθαρμένο εξάρτημα.
- ◆ Τοποθετήστε και σφίξτε τη βίδα.

**Εξάρτημα δακτύλου (εικ. H)**

Το εξάρτημα δακτύλου χρησιμοποιείται για λείανση μεγάλης ακριβείας.

- ◆ Αφαιρέστε τη βίδα (20).
- ◆ Αφαιρέστε το στήριγμα μύτης σε σχήμα διαμαντιού (5) από την βάση λειάνσης.
- ◆ Τοποθετήστε το εξάρτημα δακτύλου (10) πάνω στην βάση λειάνσης.
- ◆ Τοποθετήστε και σφίξτε τη βίδα.
- ◆ Τοποθετήστε το κατάλληλο φύλλο γυαλόχαρτου (21) στο εξάρτημα δακτύλου.

**Εξάρτημα προφίλ**

Το εξάρτημα προφίλ χρησιμοποιείται για την λείανση καμπύλων.

**Τοποθέτηση του εξάρτημα προφίλ (εικ. I)**

- ◆ Αφαιρέστε τη βίδα (20).
- ◆ Αφαιρέστε το στήριγμα μύτης σε σχήμα διαμαντιού (5) από την βάση λειάνσης.
- ◆ Τοποθετήστε το εξάρτημα προφίλ (8) πάνω στην βάση λειάνσης.
- ◆ Τοποθετήστε και σφίξτε τη βίδα.



**Τοποθέτηση και αφαίρεση προφίλ λείανσης (εικ. J1 & J2)**

- ◆ Επιλέξτε το προφίλ λείανσης ανάλογα με την εφαρμογή σας.
- ◆ Τοποθετήστε την μια άκρη του προφίλ λείανσης (9) στην εσοχή στο εμπρός μέρος της εξάρτημα του προφίλ (8).
- ◆ Σπρώξτε την άλλη άκρη του προφίλ λείανσης μέχρι να ασφαλίσει στη θέση του.
- ◆ Για να αφαιρέσετε το προφίλ λείανσης (9), ωθήστε το προς τα εμπρός και απομακρύνετε τραβώντας το πίσω άκρο από την υποδοχή του προφίλ (εικ. 8).

**Τοποθέτηση φύλλου γυαλόχαρτου σε προφίλ λείανσης (εικ. K)**

- ◆ Ευθυγραμμίστε το φύλλο γυαλόχαρτου (22) με το προφίλ λείανσης (9).
- ◆ Πιέστε το φύλλο γυαλόχαρτου πάνω στο προφίλ λείανσης, και σιγουρευτείτε πως το φύλλο γυαλόχαρτου ακολουθεί το σχήμα του προφίλ.

**Εξάρτημα για καμπύλα περιγράμματα (εικ. L & M)**

Με το εξάρτημα για καμπύλα περιγράμματα μπορείτε να εργάζεστε σε ρωγμές.

- ◆ Αφαιρέστε τη βίδα (20).
- ◆ Αφαιρέστε το στήριγμα μύτης σε σχήμα διαμαντιού (5) από την βάση λείανσης.
- ◆ Τοποθετήστε το εξάρτημα για καμπύλα περιγράμματα (12) πάνω στην βάση λείανσης.
- ◆ Τοποθετήστε και σφίξτε τη βίδα.
- ◆ Τοποθετήστε το κατάλληλο φύλλο γυαλόχαρτου (23) στο εξάρτημα για καμπύλα περιγράμματα.

Το πρόσθετο κομμάτι του εξάρτημα Velcro (24) μπορεί να τοποθετηθεί στην πάνω επιφάνεια του εξάρτημα (21) για να επιτρέπει λείανση χρησιμοποιώντας και τις δυο μεριές.

- ◆ Αφαιρέστε το προστατευτικό χαρτί από τον σφικτήρα velcro (24).
- ◆ Κολλήστε τον σφικτήρα velcro στην άνω επιφάνεια του εξαρτήματος αεροθριδών.
- ◆ Τοποθετήστε το τεμάχιο λείανσης (23) στον σφικτήρα velcro.

**Χρήση**

**Προειδοποίηση!** Αφήστε το εργαλείο να λειτουργήσει με το δικό του ρυθμό. Μην το υπερφορτώνετε.

**Προειδοποίηση!** Μην καλύπτετε τα ανοίγματα εξαερισμού όταν χρησιμοποιείτε το εργαλείο. Να κρατάτε το εργαλείο όπως φαίνεται στην εικ. Q. Βεβαιωθείτε ότι η βάση λείανσης είναι τοποθετημένη σε ευθεία γραμμή πάνω στο τεμάχιο εργασίας.

**Θέση εντός και εκτός λειτουργίας (εικ. N)**

- ◆ Για να ανάψετε το εργαλείο, βάλτε το διακόπτη on/off (1) στη θέση I.
- ◆ Για να σβήσετε το εργαλείο, βάλτε το διακόπτη on/off στη θέση O.

**Αυτόματο σύστημα φρένου (ABS)**

Το εργαλείο έχει ένα αυτόματο σύστημα φρένου. Όταν το εργαλείο δεν βρίσκεται στην επιφάνεια εργασίας, το χαρακτηριστικό αυτό διατηρεί την ταχύτητα του δίσκου σε ταχύτητα μικρότερη από αυτή του μοτέρ. Όταν σβήσκει το εργαλείο, ο δίσκος θα σταματήσει πολύ γρήγορα.

**Αδειασμα της κασέτας αποθήκευσης σκόνης (εικ. O & P)**

Πρέπει να αδειάζετε την κασέτα συλλογής σκόνης μετά από κάθε 10 λεπτά χρήσης.

- ◆ Τραβήξτε την κασέτα συλλογής σκόνης (3) στο πίσω εξωτερικό μέρος του εργαλείου.
- ◆ Βγάλετε το κάλυμμα (25) στρέφοντας αριστερόστροφα.
- ◆ Κρατήστε την κασέτα συλλογής σκόνης με το φίλτρο (26) στραμμένο προς τα κάτω και τινάξτε την κασέτα συλλογής σκόνης για να αδειάσει το περιεχόμενο της. Ανακινήστε το κάλυμμα για να αδειάσει.
- ◆ Επανατοποθετήστε το κάλυμμα (25) στη κασέτα συλλογής σκόνης, στρέφοντας το δεξιόστροφα μέχρι να κλειδωθεί.
- ◆ Επανατοποθετήστε την κασέτα συλλογής σκόνης στο εργαλείο.

**Καθαρισμός του φίλτρου της κασέτας συλλογής σκόνης**

Το φίλτρο της κασέτας σκόνης μπορεί να ξαναχρησιμοποιηθεί και θα πρέπει να καθαρίζεται τακτικά.

- ◆ Αδειάστε την κασέτα σκόνης (3) όπως περιγράφεται παραπάνω.
- ◆ Βγάλετε το φίλτρο (26) από την κασέτα.
- ◆ Τινάξτε την περίσσεια της σκόνης, κτυπώντας ελαφρά το φίλτρο μέσα σε έναν σκουπιδοτενεκέ.

**Προειδοποίηση!** Μην βουρτσίζετε ή μη χρησιμοποιείτε αέρα υπό πίεση ή αυχμηρά αντικείμενα για να καθαρίσετε το φίλτρο. Μην πλένετε το φίλτρο.

- ◆ Τοποθετήστε ξανά το φίλτρο.
- ◆ Επανατοποθετήστε το κάλυμμα.
- ◆ Επανατοποθετήστε την κασέτα συλλογής σκόνης στο εργαλείο.

**Συμβουλές για άριστη χρήση**

- ◆ Για την άνεση του χρήστη, το εργαλείο μπορεί να χρησιμοποιηθεί με ένα ή δυο χέρια (εικ. Q). Μην τοποθετείτε τα χέρια σας πάνω στις υποδοχές εξαερισμού.
- ◆ Μην ασκείτε μεγάλη πίεση στο εργαλείο.
- ◆ Ελέγχετε τακτικά την κατάσταση του φύλλου γυαλόχαρτου. Να το αντικαθιστάτε όταν το κρίνετε απαραίτητο.

- ◆ Να λειανείτε πάντα σύμφωνα με τη φορά των "νερών" του ξύλου.
- ◆ Όταν λειανείτε νέα στρώματα βαφής πριν να χρησιμοποιήσετε άλλη βαφή, χρησιμοποιήστε πολύ ψιλό γυαλόχαρτο.
- ◆ Σε πολύ ανώμαλες επιφάνειες, ή όταν αφαιρείτε στρώματα βαφής, ξεκινήστε με χοντρό γυαλόχαρτο. Σε άλλες επιφάνειες, χρησιμοποιήστε γυαλόχαρτο μέσου μεγέθους κόκκου. Και στις δυο περιπτώσεις, αλλάξτε σταδιακά σε ψιλότερο γυαλόχαρτο για να είναι λεία η επιφάνεια μετά την επεξεργασία.
- ◆ Συμβουλευτείτε τον έμπορό σας για περισσότερες πληροφορίες σχετικά με τα διαθέσιμα αξεσουάρ.

## Συντήρηση

Το εργαλείο σας έχει σχεδιαστεί έτσι ώστε να λειτουργεί για μεγάλη χρονική περίοδο με την ελάχιστη δυνατή συντήρηση. Η διαρκής καινοπονητική λειτουργία εξαρτάται από την κατάλληλη φροντίδα και τον τακτικό καθαρισμό του εργαλείου.

- ◆ Καθαρίζετε τις οπές και τα ανοίγματα ψύξης με μια καθαρή, στεγνή βούρτσα βαψίματος.
- ◆ Καθαρίστε το περιβάλλον με ένα καθαρό, υγρό πανί. Μην χρησιμοποιείτε διαλυτικά.

## Διάθεση εργαλείων και περιβάλλον



Ξεχωριστή συλλογή. Αυτό το προϊόν δεν πρέπει να απορριφθεί με συνηθισμένα σπτικά απορρίμματα.

Εάν κάποιο μέρα διαπιστώσετε ότι το προϊόν σας Black & Decker χρειάζεται αντικατάσταση ή δεν σας χρησιμεύει πλέον, μην το απορρίψετε με τα σπτικά απορρίμματα. Κάντε αυτό το προϊόν διαθέσιμο για ξεχωριστή συλλογή.



Η ξεχωριστή συλλογή χρησιμοποιημένων προϊόντων και συσκευασιών επιτρέπει την ανακύκλωση υλικών. Η επαναχρήση ανακυκλωμένων υλικών βοηθάει την προστασία του περιβάλλον και μειώνει την ζήτηση για σπάνια υλικά.

Οι τοπικοί κανονισμοί μπορεί να παρέχουν ξεχωριστή συλλογή ηλεκτρικών προϊόντων από κατοικίες, δημοτικές τοποθεσίες απορριμμάτων ή από τον έμπορο όταν αγοράσατε το καινούργιο προϊόν.

Η Black & Decker δίνει τη δυνατότητα συλλογής και ανακύκλωσης των προϊόντων της που έχουν συμπληρώσει τη διάρκεια ζωής τους. Αν θέλετε να χρησιμοποιήσετε την εν λόγω υπηρεσία, επιστρέψτε το προϊόν σας σε οποιοδήποτε εξουσιοδοτημένο κέντρο επισκευών, όπου θα το παραλάβουν εκ μέρους σας.

Ενημερωθείτε για το πλησιέστερο κέντρο επισκευών της περιοχής σας, επικοινωνώντας με τα γραφεία της Black & Decker στη διεύθυνση που αναγράφεται στο χειριρίδιο. Επίσης, για να πληροφορηθείτε τα εξουσιοδοτημένα κέντρα επισκευών της Black & Decker και τις λεπτομέρειες και τους αρμόδιους των υπηρεσιών που παρέχονται μετά την πώληση, μπορείτε να ανατρέξετε στο Διαδίκτυο στη διεύθυνση: [www.2helpU.com](http://www.2helpU.com)

## Τεχνικά χαρακτηριστικά

	KA270
Τάση	V <sub>AC</sub> 230
Ισχύς εισόδου	W 170
Παλμοί ανά λεπτό (χωρίς φορτίο)	min <sup>-1</sup> 11.000
Περιστροφές ανά λεπτό (χωρίς φορτίο)	min <sup>-1</sup> 22.000
Βάρος	kg 1,53

## Δήλωση συμμόρφωσης με την Ευρωπαϊκή Κοινότητα

KA270

Η Black & Decker δηλώνει ότι τα προϊόντα αυτά συμμορφώνονται με:

98/37/EOK, 89/336/EOK, EN 60745, EN 55014, EN 61000

L<sub>PA</sub> (πίεση ήχου) 78 dB(A), L<sub>WA</sub> (ακουστική ισχύς) 89 dB(A),  
χειροβραχιονική δόνηση 8,8 m/s<sup>2</sup>

K<sub>PA</sub> (αβεβαιότητα πίεσης ήχου) 3 dB(A),  
K<sub>WA</sub> (αβεβαιότητα ακουστικής ισχύς) 3 dB(A)

Kevin Hewitt

Διευθυντής Εξυπηρέτησης Πελατών  
Spennymoor, County Durham DL16 6JG,

Αγγλία

1-5-2005

## Εγγύηση

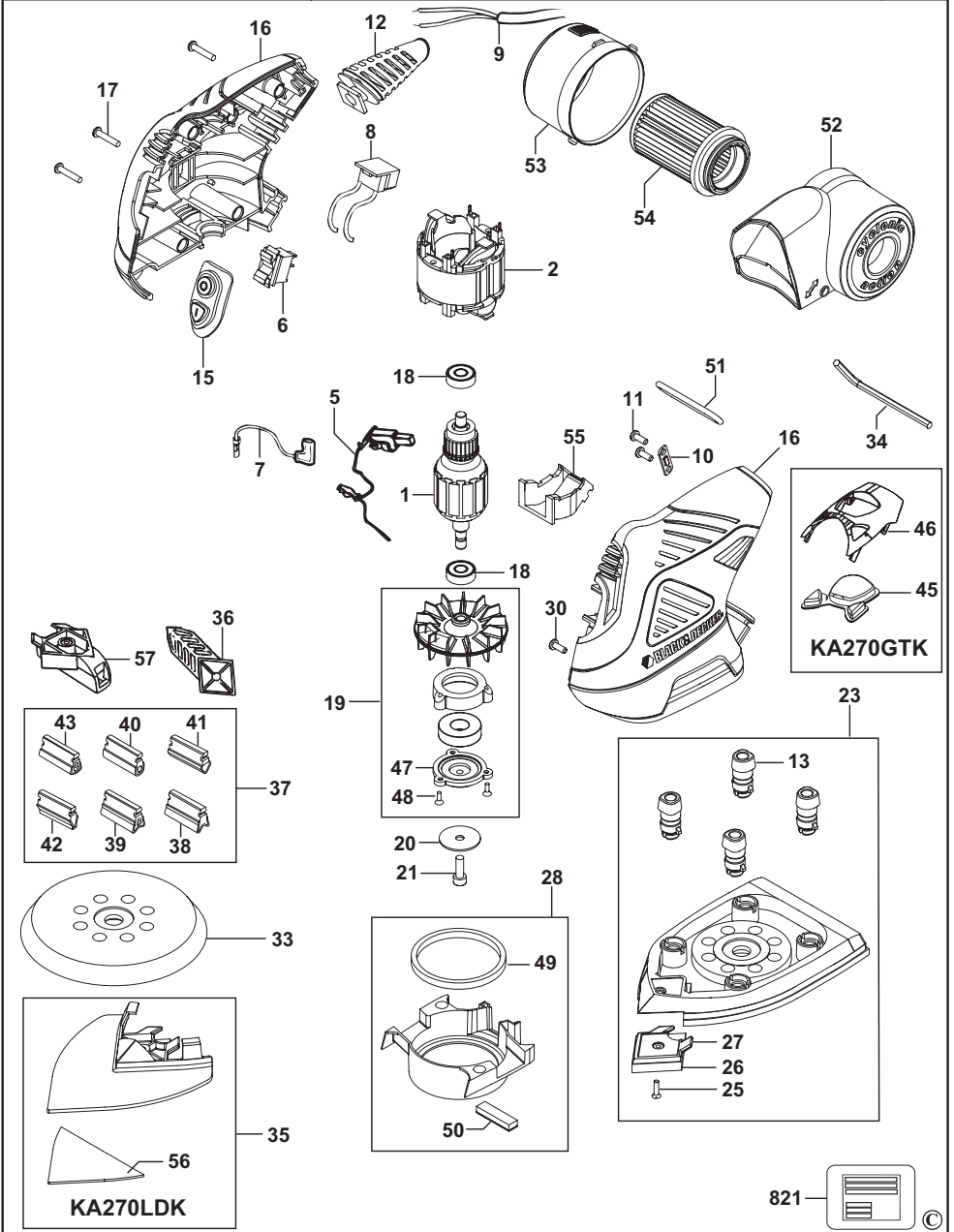
Η Black & Decker είναι σίγουρη για την ποιότητα των προϊόντων της και παρέχει σημαντική εγγύηση. Η παρούσα γραπτή εγγύηση αποτελεί πρόσθετο δικαίωμά σας και δεν ζημιώνει τα συνταγματικά σας δικαιώματα. Η εγγύηση ισχύει εντός της επικράτειας των Κρατών Μελών της Ευρωπαϊκής Ένωσης και της Ευρωπαϊκής Ζώνης Ελευθέρων Συναλλαγών.

Σε περίπτωση που κάποιο προϊόν της Black & Decker παρουσιάσει βλάβη εξαιτίας ελαττωματικών υλικών, ποιότητας εργασίας ή έλλειψης συμφωνίας με τις προδιαγραφές εντός 24 μηνών από την ημερομηνία αγοράς, η Black & Decker εγγυάται την αντικατάσταση των ελαττωματικών τμημάτων, την επισκευή προϊόντων που έχουν υποστεί εύλογη φθορά λόγω χρήσης ή την αντικατάσταση των προϊόντων προκειμένου να εξασφαλίσει την ελάχιστη ενόχληση στους πελάτες της, εκτός αν:

- ◆ Το προϊόν έχει χρησιμοποιηθεί σε εργασιακό, επαγγελματικό περιβάλλον ή αν έχει ενοικιαστεί
- ◆ Έχει γίνει εσφαλμένη χρήση του προϊόντος ή αν έχει παραμεληθεί
- ◆ Το προϊόν έχει υποστεί βλάβη από άλλα αντικείμενα, από ουσίες ή λόγω ατυχήματος
- ◆ Έχει γίνει προσπάθεια επισκευής από μη εξουσιοδοτημένα κέντρα επισκευών ή από προσωπικό που δεν ανήκει στο προσωπικό της Black & Decker

Για να ισχύσει η εγγύηση, πρέπει να υποβάλετε απόδειξη αγοράς στον πωλητή ή το εξουσιοδοτημένο κέντρο επισκευών. Ενημερωθείτε για το πλησιέστερο κέντρο επισκευών της περιοχής σας, επικοινωνώντας με τα γραφεία της Black & Decker στη διεύθυνση που αναγράφεται στο εγχειρίδιο. Επίσης, για να πληροφορηθείτε για τα εξουσιοδοτημένα κέντρα επισκευών της Black & Decker, τις λεπτομέρειες και τους αρμόδιους των υπηρεσιών που παρέχονται μετά την πώληση, μπορείτε να ανατρέξετε στο Διαδίκτυο στη διεύθυνση: **[www.2helpU.com](http://www.2helpU.com)**

Παρακαλούμε να επισκεφτείτε την ιστοσελίδα μας **[www.blackanddecker.com](http://www.blackanddecker.com)** για να καταχωρήσετε το νέο σας προϊόν Black & Decker και για να ενημερώνεστε για τα νέα προϊόντα και τις ειδικές προσφορές. Περισσότερες πληροφορίες σχετικά με τη μάρκα Black & Decker και τη σειρά προϊόντων μας θα βρείτε στη διεύθυνση **[www.blackanddecker.com](http://www.blackanddecker.com)**





<b>Australia</b>	Black & Decker (Australia) Pty. Ltd. 20 Fletcher Road, Mooroolbark, Victoria, 3138	Tel. 03-8720 5100 Fax 03-9727 5940
<b>België/Belgique</b>	Black & Decker (Belgium) N.V. Campus Noord, Schaliënhoevedreef 20E 2800 Mechelen	Tel. 015 - 47 92 11 Fax 015 - 47 92 10
<b>Danmark</b>	Black & Decker Sluseholmen 2-4, 2450 København SV Internet: www.blackanddecker.dk	Tel. 70 20 15 15 Fax 36 94 49 01
<b>Deutschland</b>	Black & Decker GmbH Black & Decker Str. 40, D - 65510 Idstein	Tel. 06126/21 - 0 Fax 06126/21 29 80
<b>Ελλάδα</b>	Black & Decker (Ελλάς) Α.Ε. Στράβωνος 7 & Λεωφ. Βουλιαγμένης 159 166 74 Γλυφάδα - Αθήνα	Τηλ. 210 8981616 Φαξ 210 8983285 www.blackanddecker.gr
<b>España</b>	Black & Decker Ibérica, S.C.A. Parque de Negocios "Mas Blau" Edificio Muntadas, c/Bergadá, 1, Of. A6 08820 El Prat de Llobregat (Barcelona)	Tel. 934 797 400 Fax 934 797 419
<b>France</b>	Black & Decker (France) S.A.S. B.P. 21, 69571 Dardilly Cédex	Tel. 04 72 20 39 20 Fax 04 72 20 39 00
<b>Helvetia</b>	RÖFO AG Gewerbezone Seeblick 3213 Kleinbösinggen	Tel. 026-6749391 Fax 026-6749394
<b>Italia</b>	Black & Decker Italia SpA Viale Elvezia 2 20052 Monza (MI)	Tel. 039-23871 Fax 039-2387592/2387594 Numero verde 800-213935
<b>Nederland</b>	Black & Decker Benelux Joulehof 12, 4622 RG Bergen op Zoom	Tel. 0164 - 283000 Fax 0164 - 283100
<b>New Zealand</b>	Black & Decker 81 Hugo Johnston Drive Penrose, Auckland, New Zealand	Tel. 09 579 7600 Fax 09 579 8200
<b>Norge</b>	Black & Decker (Norge) A/S Postboks 4814, Nydalen, 0422 Oslo Internet: www.blackanddecker.no	Tif. 22 90 99 00 Fax 22 90 99 01
<b>Österreich</b>	Black & Decker Vertriebsges.m.b.H Erlaaerstraße 165, 1231 Wien	Tel. 01 66116-0 Fax 01 66116-14
<b>Portugal</b>	Black & Decker Rua Egas Moniz 173 S. João do Estoril 2766-651 Estoril	Tel. 214667500 Fax 214667575
<b>Suomi</b>	Black & Decker Oy Keilasatama 3, 02150 Espoo Black & Decker Oy, Kägelhamnen 3, 02150 Esbo	Puh.: 010 400 430 Faksi: (09) 2510 7100 Tel: 010 400 430 Fax: (09) 2510 7100
<b>Sverige</b>	Black & Decker AB Fabriksg. 7, 412 50 Göteborg	Tel: 031-68 60 60 Fax: 031-68 60 80
<b>Türkiye</b>	İntratek Mühendislik ve Dış Tic. A.Ş. Ortaklar Cad. No:19/2 80290 Mecidiyeköy / İstanbul	Tel. 0212 211 22 10 Faks 0212 266 33 03
<b>United Kingdom</b>	Black & Decker 210 Bath Road Slough, Berkshire SL1 3YD	Tel. 01753 511234 Fax 01753 551155 Helpline 01753 574277
<b>Middle East &amp; Africa</b>	Black & Decker (Overseas) A.G. PB 5420, Dubai, United Arab Emirates	Tel. +971 4 2826464 Fax +971 4 2826466

Dealer address  
Händleradresse  
Cachet du revendeur  
Indirizzo del rivenditore  
Adres van de dealer  
Dirección del detallista  
Morada do revendedor  
Återförsäljarens adress  
Forhandlens adresse  
Forhandler adresse  
Jälleenmyyjän osoite  
Διεύθυνση αντιπροσώπου

◆ Name ◆ Nom ◆ Nome  
◆ Naam ◆ Nombre ◆ Nome ◆ Namn  
◆ Navn ◆ Navn ◆ Nimi ◆ Ovojna:

◆ Address ◆ Adresse ◆ Adresse ◆ Indirizzo ◆  
Adres ◆ Dirección ◆ Morada ◆ Address ◆  
Adresse ◆ Adresse ◆ Osoite ◆ Διεύθυνση:

◆ Town ◆ Ort ◆ Ville ◆ Città ◆ Plaats  
◆ Ciudad ◆ Localidade ◆ Ort ◆ By ◆ By  
◆ Paikkakunta ◆ Πόλη:

◆ Postal code ◆ Postleitzahl ◆ Code postal ◆  
Codice postale ◆ Postcode  
◆ Código ◆ Código postal ◆ Postnr.  
◆ Postnr. ◆ Postnr. ◆ Postnummero  
◆ Κωδικός

◆ Is this tool a gift? ◆ Ist dieses Gerät ein  
Geschenk? ◆ S'agit-il d'un cadeau? ◆ Si tratta  
di un regalo? ◆ Kreeg u de machine als cadeau?  
◆ ¿Ha recibido usted esta herramienta como  
regalo? ◆ Reçebeu esta ferramenta como  
presente? ◆ Är verktyget en gåva?  
◆ Er verktoyet en gave? ◆ Er verktojet en gave?  
◆ Onko kone lahja? ◆ Το εργαλείο είναι δώρο?

◆ Yes ◆ Ja ◆ Oui ◆ Si ◆ Ja ◆ Si ◆  
◆ Sim ◆ Ja ◆ Ja ◆ Ja ◆ Kyllä ◆ Nαι  
 ◆ No ◆ Nein ◆ Non ◆ No ◆ Nee  
◆ No ◆ Não ◆ Nej ◆ Nei ◆ Nej  
◆ Ei ◆ Oxi

◆ Is this tool your first purchase? ◆ Ist dieses  
Gerät ein Erstkauf? ◆ Est-ce un 1er achat? ◆  
Questo prodotto è il suo primo acquisto? ◆ Is  
deze machine uw eerste aankoop? ◆ ¿Es esta  
herramienta la primera de este tipo?  
◆ Esta ferramenta é a primeira compra? ◆  
Är detta ditt första B&D-verktyg? ◆ Er dette ditt  
første B&D verktoyet? ◆ Er dette dit første B&D  
verktøj? ◆ Onko tämä ensimmäinen B&D-

Date of purchase  
Kaufdatum  
Date d'achat  
Data d'acquisto  
Aankoopdatum  
Fecha de compra  
Data de compra  
Inkõpsdatum  
Innkjøpsdato  
Indkøbsdato  
Osttopäivä  
Ημερομηνία αγοράς

koneesi? ◆ Είναι το εργαλείο αυτό η  
πρώτη σας αγορά?

◆ Yes ◆ Ja ◆ Oui ◆ Si ◆ Ja ◆ Si  
◆ Sim ◆ Ja ◆ Ja ◆ Ja ◆ Kyllä ◆ Nαι  
 ◆ No ◆ Nein ◆ Non ◆ No ◆ Nee  
◆ No ◆ Não ◆ Nej ◆ Nei ◆ Nej  
◆ Ei ◆ Oxi

◆ Dealer address ◆ Händleradresse  
◆ Cachet du revendeur ◆ Indirizzo del  
rivenditore ◆ Adres van de dealer  
◆ Dirección del detallista ◆ Morada do  
revendedor ◆ Återförsäljarens adress  
◆ Forhandlens adresse ◆ Forhandler adresse  
◆ Jälleenmyyjän osoite  
◆ Διεύθυνση αντιπροσώπου

Cat. no.:



- ◆ GUARANTEE CARD
- ◆ GARANTIEKAART
- ◆ GARANTI KORT
- ◆ GARANTIEKARTE
- ◆ TARJETA DE GARANTÍA
- ◆ GARANTI KORT
- ◆ CARTE DE GARANTIE
- ◆ CARTÃO DE GARANTIA
- ◆ TAKUUKORTTI
- ◆ TAGLIANDO DI GARANZIA
- ◆ GARANTIBEVIS
- ◆ KAPTA ΕΓΓΥΗΣΗΣ



**English**

Please complete this section immediately after the purchase of your tool and send it to Black & Decker in your country. If you live in Australia or New Zealand, please register by using the alternative guarantee card supplied.

**Deutsch**

Bitte schneiden Sie diesen Abschnitt ab, stecken ihn in einen frankierten Umschlag und schicken ihn an die Black & Decker Adresse Ihres Landes.

**Français**

Découpez cette partie et envoyez-la sous enveloppe timbrée à l'adresse de Black & Decker dans votre pays, ceci immédiatement après votre achat.

**Italiano**

Per favore ritagliate questa parte, inseritela in una busta con francobollo e spedite la subito dopo l'acquisto del prodotto all'indirizzo della Black & Decker nella vostra nazione.

**Nederlands**

Knip dit gedeelte uit en zend het direct na aankoop in een gefrankeerde, geaddresseerde envelop naar het adres van Black & Decker in uw land.

**Español**

Después de haber comprado su herramienta envíe usted, por favor, esta tarjeta a la central de Black & Decker en su país.

**Português**

Por favor, recorte esta parte, coloque-a num envelope selado e endereçado e envie-o logo após a compra do seu produto para o endereço da Black & Decker do seu país.

**Svenska**

Var vänlig klipp ur denna del och sänd den i ett frankerat kuvert till Black & Deckers adress i Ditt land.

**Norsk**

Vennligst klipp ut denne delen umiddelbart etter du har pakket ut ditt produkt og legg det i en adressert konvolutt til Black & Decker (Norge) AS.

**Dansk**

Venligst klip denne del ud og send frankeret til Black & Decker i dit land.

**Suomi**

Leikkaa irti tämä osa, laita se kuoreen ja postita kuori paikalliseen Black & Decker osoitteeseen.

**Ελληνικά**

Παράκατω κόψτε αυτό το κομμάτι και ταχυδρομήστε το μέσω της μετὰ την αγορά του προϊόντος σας στην διεύθυνση της Black & Decker στην Ελλάδα.