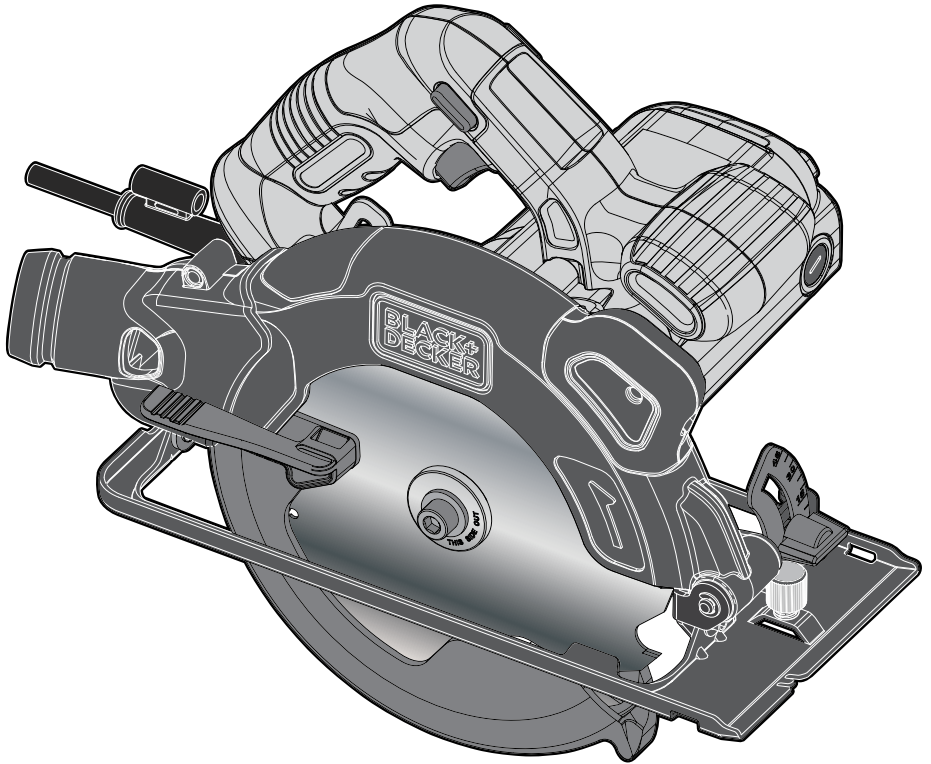
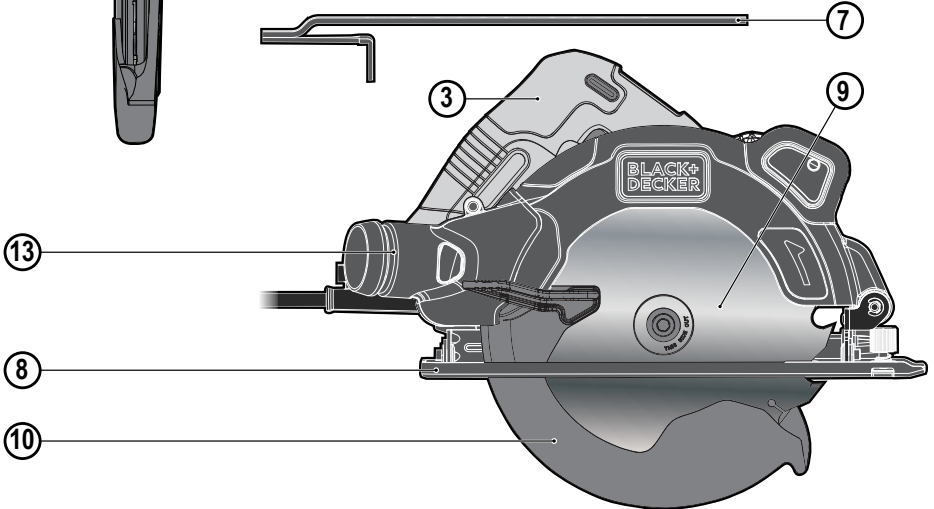
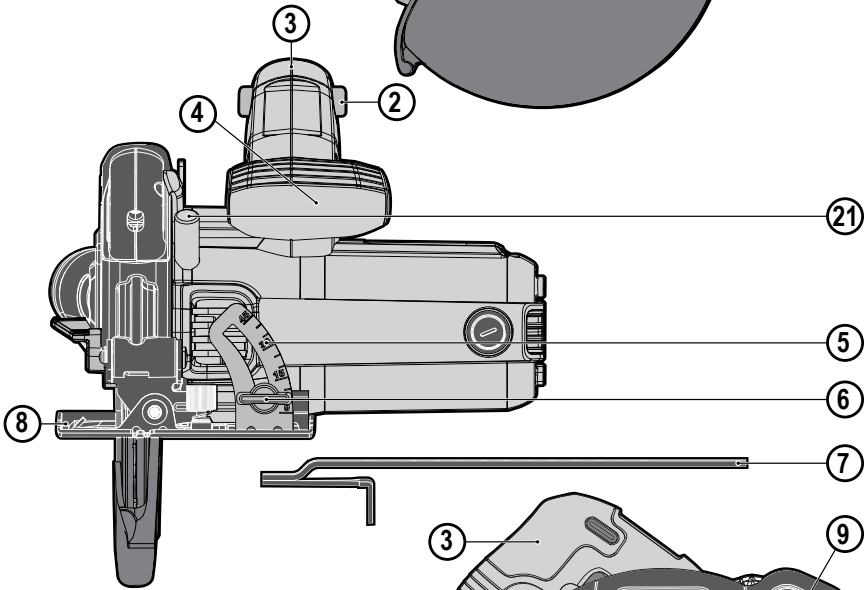
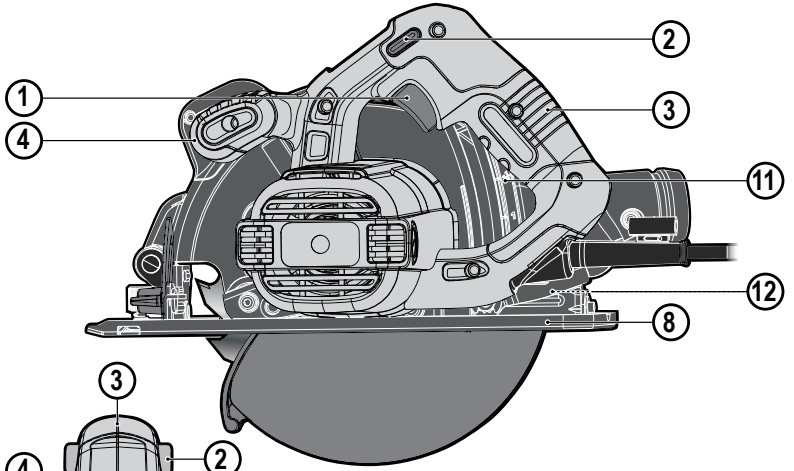


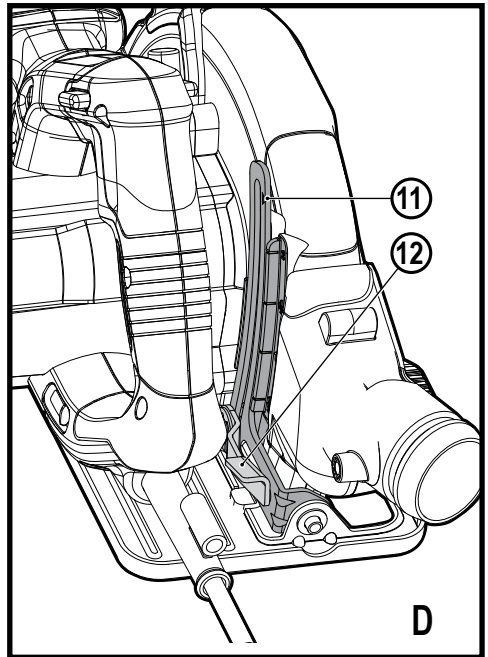
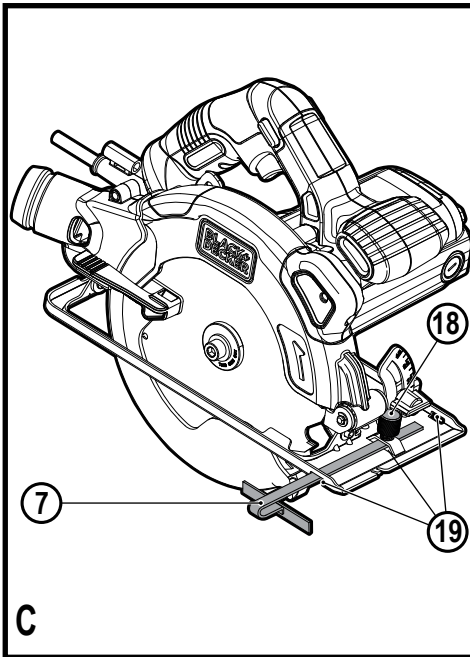
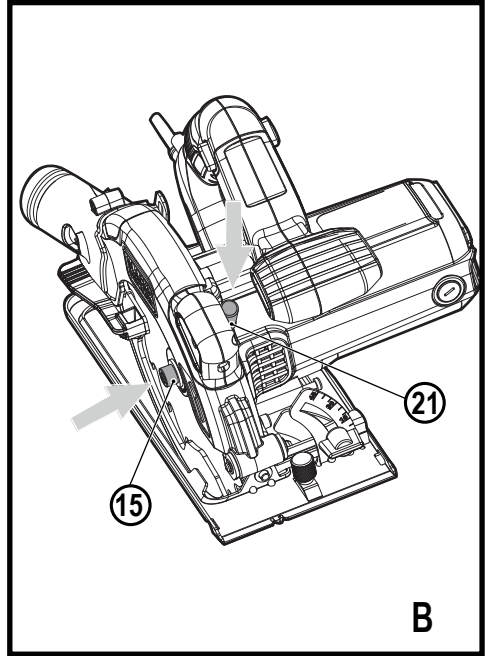
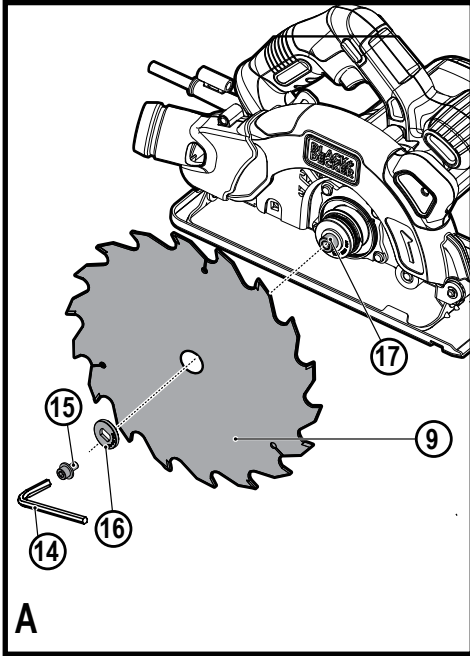
**BLACK+**  
**DECKER**

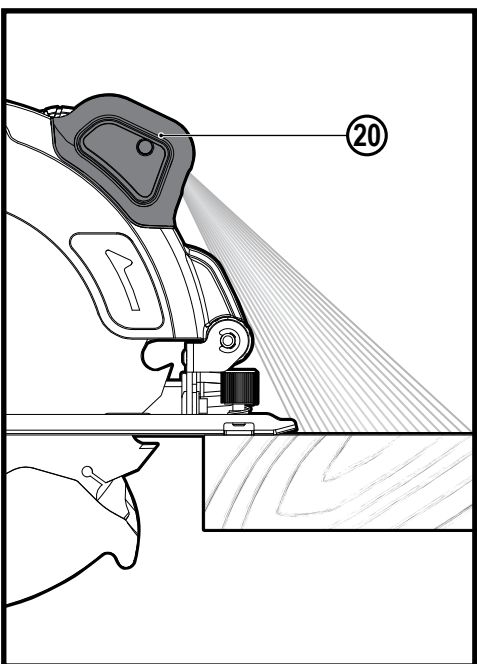
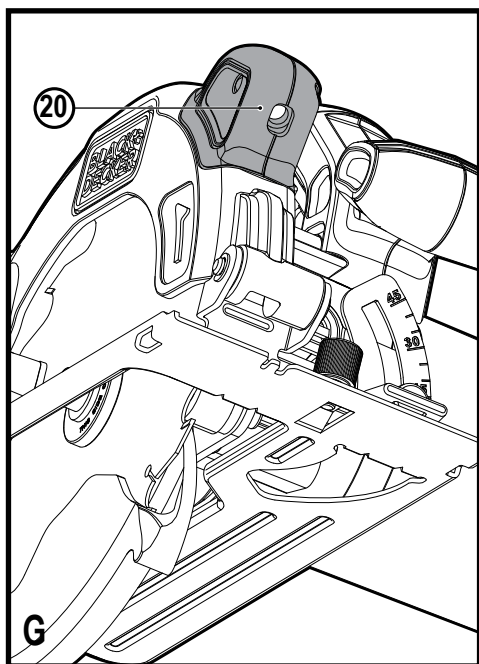
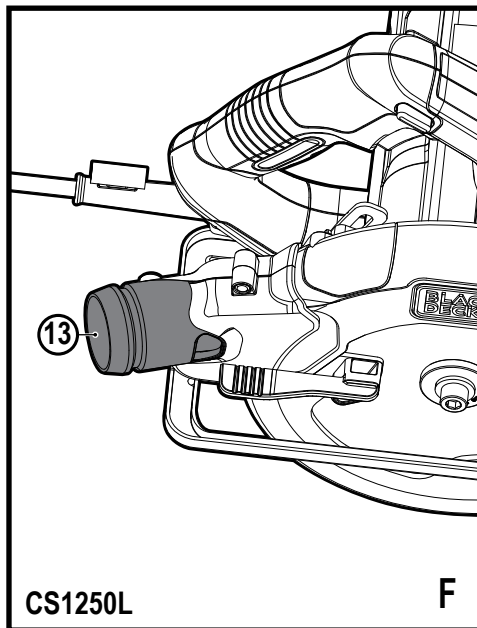
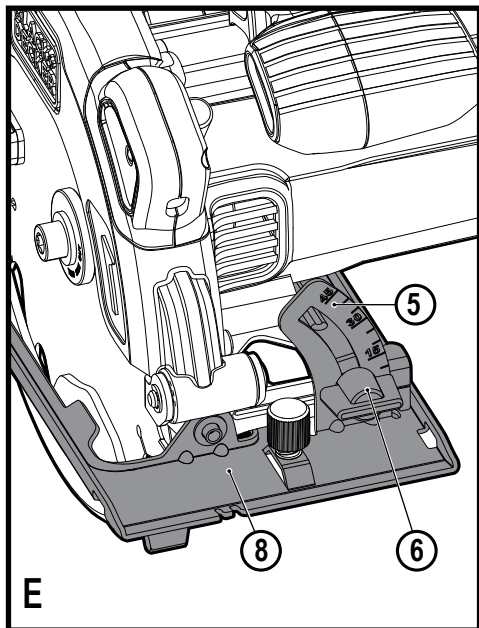


[www.blackanddecker.tr](http://www.blackanddecker.tr)

**CS1250**  
**CS1250L**







## Intended use

Your BLACK + DECKER™ CS1250, CS1250L Circular Saw has been designed for sawing wood and wood products. This tool is intended for consumer use only.

## Safety instructions

### General power tool safety warnings



**Warning: Read all safety warnings and all instructions.** Failure to follow the warnings and instructions listed below may result in electric shock, fire and/or serious injury.

**Save all warnings and instructions for future reference.** The term "power tool" in all of the warnings listed below refers to your mains operated (corded) power tool or battery operated (cordless) power tool.

### 1. Work area safety

- a. **Keep work area clean and well lit.**  
Cluttered and dark areas invite accidents.
- b. **Do not operate power tools in explosive atmospheres, such as in the presence of flammable liquids, gases or dust.** Power tools create sparks which may ignite the dust or fumes.
- c. **Keep children and bystanders away while operating a power tool.**  
Distractions can cause you to lose control.

### 2. Electrical safety

- a. **Power tool plugs must match the outlet. Never modify the plug in any way. Do not use any adapter plugs with earthed (grounded) power tools.** Unmodified plugs and matching outlets will reduce risk of electric shock.
- b. **Avoid body contact with earthed or grounded surfaces such as pipes, radiators, ranges and refrigerators.**  
There is an increased risk of electric shock if your body is earthed or grounded.
- c. **Do not expose power tools to rain or wet conditions.** Water entering a power tool will increase the risk of electric shock.

- d. **Do not abuse the cord. Never use the cord for carrying, pulling or unplugging the power tool. Keep cord away from heat, oil, sharp edges or moving parts.** Damaged or entangled cords increase the risk of electric shock.
- e. **When operating a power tool outdoors, use an extension cord suitable for outdoor use.** Use of a cord suitable for outdoor use reduces the risk of electric shock.
- f. **If operating a power tool in a damp location is unavoidable, use a residual current device (RCD) protected supply.** Use of an RCD reduces the risk of electric shock.

### 3. Personal safety

- a. **Stay alert, watch what you are doing and use common sense when operating a power tool. Do not use a power tool while you are tired or under the influence of drugs, alcohol or medication.** A moment of inattention while operating power tools may result in serious personal injury.
- b. **Use personal protective equipment. Always wear eye protection.** Protective equipment such as dust mask, non-skid safety shoes, hard hat, or hearing protection used for appropriate conditions will reduce personal injuries.
- c. **Prevent unintentional starting. Ensure the switch is in the off-position before connecting to power source and/or battery pack, picking up or carrying the tool.** Carrying power tools with your finger on the switch or energising power tools that have the switch on invites accidents.
- d. **Remove any adjusting key or wrench before turning the power tool on.** A wrench or a key left attached to a rotating part of the power tool may result in personal injury.
- e. **Do not overreach. Keep proper footing and balance at all times.** This enables better control of the power tool in unexpected situations.

**f. Dress properly. Do not wear loose clothing or jewellery. Keep your hair, clothing and gloves away from moving parts.** Loose clothes, jewellery or long hair can be caught in moving parts.

**g. If devices are provided for the connection of dust extraction and collection facilities, ensure these are connected and properly used.** Use of dust collection can reduce dust-related hazards.

#### 4. Power tool use and care

**a. Do not force the power tool. Use the correct power tool for your application.** The correct power tool will do the job better and safer at the rate for which it was designed.

**b. Do not use the power tool if the switch does not turn it on and off.** Any power tool that cannot be controlled with the switch is dangerous and must be repaired.

**c. Disconnect the plug from the power source and/or the battery pack from the power tool before making any adjustments, changing accessories, or storing power tools.** Such preventive safety measures reduce the risk of starting the power tool accidentally.

**d. Store idle power tools out of the reach of children and do not allow persons unfamiliar with the power tool or these instructions to operate the power tool.** Power tools are dangerous in the hands of untrained users.

**e. Maintain power tools. Check for misalignment or binding of moving parts, breakage of parts and any other condition that may affect the power tools operation. If damaged, have the power tool repaired before use.** Many accidents are caused by poorly maintained power tools.

**f. Keep cutting tools sharp and clean.** Properly maintained cutting tools with sharp cutting edges are less likely to bind and are easier to control.

**g. Use the power tool, accessories and tool bits etc. in accordance with these instructions, taking into account the**

**working conditions and the work to be performed.** Use of the power tool for operations different from those intended could result in a hazardous situation.

#### 5. Service

**a. Have your power tool serviced by a qualified repair person using only identical replacement parts.** This will ensure that the safety of the power tool is maintained.

### Additional power tool safety warnings



**Warning!** Additional safety warnings for saws

- a. Keep hands away from cutting area and the blade. Keep your second hand on auxiliary handle, or motor housing.** If both hands are holding the saw, they cannot be cut by the blade.
- b. Do not reach underneath the workpiece.** The guard cannot protect you from the blade below the workpiece.
- c. Adjust the cutting depth to the thickness of the workpiece.** Less than a full tooth of the blade teeth should be visible below the workpiece.
- d. Never hold piece being cut in your hands or across your leg. Secure the workpiece to a stable platform.** It is important to support the work properly to minimize body exposure, blade binding, or loss of control.
- e. Hold power tool by insulated gripping surfaces when performing an operation where the cutting tool may contact hidden wiring or its own cord.** Contact with a "live" wire will also make exposed metal parts of the power tool "live" and shock the operator.
- f. When ripping always use a rip fence or straight edge guide.** This improves the accuracy of cut and reduces the chance of blade binding.
- g. Always use blades with correct size and shape (diamond versus round) of arbour holes.** Blades that do not match the mounting hardware of the saw will run eccentrically, causing loss of control.

**h. Never use damaged or incorrect blade washers or bolt.** The blade washers and bolt were specially designed for your saw, for optimum performance and safety of operation.

#### Further safety instructions for all saws

Causes and operator prevention of kickback:

- kickback is a sudden reaction to a pinched, bound or misaligned saw blade, causing an uncontrolled saw to lift up and out of the workpiece toward the operator;
- when the blade is pinched or bound tightly by the kerf closing down, the blade stalls and the motor reaction drives the unit rapidly back toward the operator;
- if the blade becomes twisted or misaligned in the cut, the teeth at the back edge of the blade can dig into the top surface of the wood causing the blade to climb out of the kerf and jump back toward the operator.

Kickback is the result of saw misuse and/or incorrect operating procedures or conditions and can be avoided by taking proper precautions as given below.

- a. Maintain a firm grip with both hands on the saw and position your arms to resist kickback forces. Position your body to either side of the blade, but not in line with the blade.** Kickback could cause the saw to jump backwards, but kickback forces can be controlled by the operator, if proper precautions are taken.
- b. When the blade is binding, or when interrupting a cut for any reason, release the trigger and hold the saw motionless in the material until the blade comes to a complete stop. Never attempt to remove the saw from the work or pull the saw backward while the blade is in motion or kickback may occur.** Investigate and take corrective actions to eliminate the cause of blade binding.
- c. When restarting a saw in the workpiece, centre the saw blade in the kerf and check that saw teeth are not engaged**

**into the material.** If saw blade is binding, it may walk up or kickback from the workpiece as the saw is restarted.

- d. Support large panels to minimise the risk of blade pinching and kickback. Large panels tend to sag under their own weight.** Supports must be placed under the panel on both sides, near the line of cut and near the edge of the panel.
- e. Do not use dull or damaged blades.** Unsharpened or improperly set blades produce narrow kerf causing excessive friction, blade binding and kickback.
- f. Blade depth and bevel adjusting locking levers must be tight and secure before making cut.** If blade adjustment shifts while cutting, it may cause binding and kickback.
- g. Use extra caution when making a "plunge cut" into existing walls or other blind areas.** The protruding blade may cut objects that can cause kickback.

#### Safety instructions for circular saws with outer or inner pendulum guards and with tow guard

- a. Check lower guard for proper closing before each use. Do not operate the saw if lower guard does not move freely and close instantly. Never clamp or tie the lower guard into the open position.** If saw is accidentally dropped, lower guard may be bent. Raise the lower guard with the retracting handle and make sure it moves freely and does not touch the blade or any other part, in all angles and depths of cut.
- b. Check the operation of the lower guard spring. If the guard and the spring are not operating properly, they must be serviced before use.** Lower guard may operate sluggishly due to damaged parts, gummy deposits, or a build-up of debris.
- c. Lower guard should be retracted manually only for special cuts such as "plunge cuts" and "compound cuts". Raise lower guard by retracting handle and as soon as blade enters the material, the lower guard must be released.** For all other sawing, the lower guard should operate automatically.



- d. Always observe that the lower guard is covering the blade before placing saw down on bench or floor.** An unprotected, coasting blade will cause the saw to walk backwards, cutting whatever is in its path. Be aware of the time it takes for the blade to stop after switch is released.

- Do not set up the tool where the laser beam can cross any person at head height.
- Do not let children come near the laser.

## Residual risks

The following risks are inherent to the use of saws:

- Injuries caused by touching the rotating parts.

Even with the application of the relevant safety regulations and the implementation of safety devices, certain residual risks cannot be avoided. These are:

- Impairment of hearing.
- Risk of accidents caused by the uncovered parts of the rotating saw blade.
- Risk of injury when changing the blade.
- Risk of squeezing fingers when opening the guards.
- Health hazards caused by breathing dust developed when sawing wood, especially oak, beech and MDF.

## Laser (CS1250L only)

- This laser complies with class 2 according to EN60825- 1:2014. Do not replace a laser diode with a different type. If the laser is damaged, have the laser repaired by an authorised repair agent.
- Do not use the laser for any purpose other than projecting laser lines.
- An exposure of the eye to the beam of a class 2 laser is considered safe for a maximum of 0.25 seconds. Eyelid reflexes will normally provide adequate protection. At distances greater than 1m, the laser complies with class 1 and is therefore considered completely safe.
- Never look into the laser beam directly and intentionally.
- Do not use optical tools to view the laser beam.

## Saw blades

- Do not use blades of larger or smaller diameter than recommended. For the proper blade rating refer to the technical data. Use only the blades specified in this manual, complying with EN 847-1.
- **Warning!** Never use abrasive wheels.

## Safety of others

- This appliance is not intended for use by persons (including children) with reduced physical, sensory or mental capabilities, or lack of experience and knowledge, unless they have been given supervision or instruction concerning use of the appliance by a person responsible for their safety.
- Children should be supervised to ensure that they do not play with the appliance.

## Vibration

The declared vibration emission values stated in the technical data and the declaration of conformity have been measured in accordance with a standard test method provided by EN 60745 and may be used for comparing one tool with another. The declared vibration emission value may also be used in a preliminary assessment of exposure.

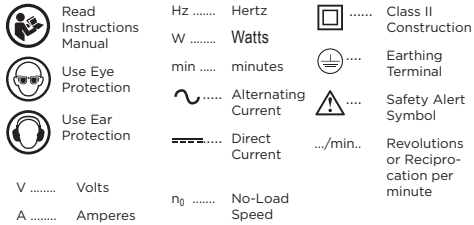
**Warning!** The vibration emission value during actual use of the power tool can differ from the declared value depending on the ways in which the tool is used. The vibration level may increase above the level stated.

When assessing vibration exposure to determine safety measures required by 2002/44/EC to protect persons regularly using power tools in employment, an estimation of vibration exposure should consider, the actual conditions of use and the way the tool is used, including taking account of all parts of the operating cycle such as the times when the tool is switched off and when it is running idle in addition to the trigger time.



## Labels on tool

The label on your tool may include the following symbols



Laser radiation.



Do not look into the laser beam.



Do not use optical tools to view the laser beam.



## Position of date barcode

The Date Code, which also includes the year of manufacture, is printed into the housing. Example:

2017 XX JN  
Year of manufacturing

## Electrical safety



This tool is double insulated; therefore no earth wire is required. Always check that the power supply corresponds to the voltage on the rating plate.

- If the supply cord is damaged, it must be replaced by the manufacturer or an authorised BLACK + DECKER Service Centre in order to avoid a hazard.

## Features

This tool includes some or all of the following features.

1. On/off switch

2. Lock-off button

3. Main handle

4. Secondary handle

5. Mitre angle scale

6. Locking knob for mitre angle adjustment

7. Parallel fence

8. Shoe

9. Saw blade

10. Saw blade guard

11. Depth of cut scale

12. Locking knob for depth of cut adjustment

13. Saw dust outlet

14. Saw blade hex wrench

21. Spindle lock button

## Figures G & H (CS1250L model only)

20. Laser sight

## Assembly

**Warning!** Before attempting any of the following operations, make sure that the tool is switched off and unplugged and that the saw blade has stopped.

## Removing and fitting a saw blade (fig. B)

### Removing

- Keep the spindle lock button (21) depressed and rotate the blade until the spindle lock engages.
- Loosen and remove the blade retaining screw (15) by turning it counterclockwise using the hex wrench (14).
- Remove the outer washer (16).
- Remove the saw blade (9).

**NOTICE:** Never engage the spindle lock while the saw is running. Never turn the saw on while the spindle lock is engaged. Severe damage to the saw may result.

**Fitting**

- Keep the spindle lock button (21) depressed and rotate the blade until the spindle lock engages.
- Loosen and remove the blade retaining screw (15) by turning the hex wrench (14) counterclockwise.
- Remove the outer washer (16).
- Place the saw blade (9) onto the spindle shaft, making sure that the arrow on the blade points in the same direction as the arrow on the upper guard of the tool.
- Fit the outer washer on the spindle with the larger flat surface against the blade.
- Insert the blade retaining screw into the hole in the spindle.
- Securely tighten the blade retaining screw by turning hex wrench clockwise to tighten the blade retaining screw.

**Warning!** Whenever a new blade is fitted the saw blade guard should be checked to ensure that it can move freely.

**Warning!** To reduce the risk of serious personal injury, read, understand and follow all important safety warnings and instructions prior to using tool.

**Fitting and removing the parallel fence (fig. C)**

The parallel fence is used to saw in a straight line parallel to the edge of the workpiece.

**Fitting**

- Loosen the locking knob (18).
- Insert the parallel fence (7) through the openings (19).
- Slide the parallel fence into the desired position.
- Tighten the locking knob.

**Removing**

- Loosen the locking knob (18).
- Pull the parallel fence off the tool.

**Use**

This tool can be used in the right hand or the left hand.

**Warning!** Let the tool work at its own pace. Do not overload.

**Electronic Function. Laser beam action. Model CS1250L only (Fig.G, H)**

**Caution!** When not in use, be sure to turn off the laser. Never look into the laser beam directly; laser beam may injure your eyes.

LASER RADIATION: DO NOT STARE INTO THE BEAM or any CLASSII LASER PRODUCTS.

Before shifting the laser line or performing maintenance adjustment, be sure to unplug the tool.

- To turn the laser on/off, toggle the switch (12a) on the back of the laser housing.

**Cleaning of the lens for the laser light**

If the lens for the laser light becomes dirty, or sawdust adheres to it in such a way that the laser line is no longer easily visible, unplug the saw and clean the lens carefully with a damp, soft cloth. Do not use solvents or any petroleum based cleaners on the lens.

**Note:** When laser line is dim and almost or entirely invisible because of the direct sunlight in the indoor or outdoor window near your work area, relocate the work area to a place not exposed to direct sunlight.

**Note:** All of the adjustments for the operation of this machine have been carried out at the factory.

**Caution:** Use of controls or adjustments or performance of procedures other than those specified herein may result in hazardous radiation exposure. The use of optical instruments with this product will increase eye hazard. Do not attempt to repair or disassemble the laser. If unqualified persons attempt to repair this laser product, serious injury may result. Any repair required on this laser product should be performed by authorised service centre personnel.

## Adjusting the depth of cut (fig. D)

The depth of cut should be set according to the thickness of the workpiece. It should exceed the thickness by approx. 2 mm.

- Loosen the knob (12) to unlock the saw shoe.
- Move the saw shoe (8) into the desired position. The corresponding depth of cut can be read from the scale (11).
- Tighten the knob to lock the saw shoe in place.

## Adjusting the mitre angle (fig. E)

This tool can be set to mitre angles between 0° and 45°.

- Loosen the locking knob (6) to unlock the saw shoe.
- Move the saw shoe (8) into the desired position. The corresponding mitre angle can be read from the scale (5).
- Tighten the locking knob to lock the saw shoe in place.

## Switching on and off

- To switch the tool on, move the lock-off button (2) into the unlock position and squeeze the on/off switch (1).
- To switch the tool off, release the on/off switch.

## Sawing

- Always hold the tool with both hands.
- Let the blade run freely for a few seconds before starting the cut.
- Apply only a gentle pressure to the tool while performing the cut.
- Work with the shoe pressed against the workpiece.

## Dust extraction (fig. F)

An adaptor is required to connect a vacuum cleaner or dust extractor to the tool. The adaptor can be purchased from your local BLACK+DECKER retailer.

- Insert the dust extraction adaptor into the saw dust outlet (13).

- Connect the vacuum cleaner hose to the adaptor.

## Hints for optimum use

- As some splintering along the line of cut on the top side of the workpiece cannot be avoided, cut on the side where splintering is acceptable.
- Where splintering is to be minimised, e.g. when cutting laminates, clamp a piece of plywood onto the top of the workpiece.

## Accessories

The performance of your tool depends on the accessory used. BLACK+DECKER and Piranha accessories are engineered to high quality standards and designed to enhance the performance of your tool. By using these accessories you will get the very best from your tool.

## Maintenance

Your BLACK+DECKER tool has been designed to operate over a long period of time with a minimum of maintenance. Continuous satisfactory operation depends upon proper tool care and regular cleaning.

**Warning!** Before performing any maintenance on the tool:

- Switch off and unplug the appliance/tool.
- Or switch off and remove the battery from the appliance/ tool if the appliance/tool has a separate battery pack.
- Or run the battery down completely if it is integral and then switch off.
- Unplug the charger before cleaning it. Your charger does not require any maintenance apart from regular cleaning.
- Regularly clean the ventilation slots in your appliance/tool/ charger using a soft brush or dry cloth.
- Regularly clean the motor housing using a damp cloth. Do not use any abrasive or solvent-based cleaner.
- Regularly open the chuck and tap it to remove any dust from the interior (when fitted).

### Protecting the environment



Separate collection. This product must not be disposed of with normal household waste.

Should you find one day that your BLACK+DECKER product needs replacement, or if it is of no further use to you, do not dispose of it with household waste. Make this product available for separate collection.



Separate collection of used products and packaging allows materials to be recycled and used again. Reuse of recycled materials helps prevent environmental pollution and reduces the demand for raw materials.

Local regulations may provide for separate collection of electrical products from the household, at municipal waste sites or by the retailer when you purchase a new product.

BLACK+DECKER provides a facility for the collection and recycling of BLACK+DECKER products once they have reached the end of their working life. To take advantage of this service please return your product to any authorised repair agent who will collect them on our behalf.

You can check the location of your nearest authorised repair agent by contacting your local BLACK+DECKER office at the address indicated in this manual. Alternatively, a list of authorised BLACK+DECKER repair agents and full details of our after-sales service and contacts are available on the Internet at: [www.2helpU.com](http://www.2helpU.com).

### TECHNICAL DATA

CS1250, CS1250L		
Input voltage	V <sub>Ac</sub>	220-240
Power input	W	1250
No-load speed	Min <sup>-1</sup>	5300
Max. depth of cut	mm	66
Blade diameter	mm	190
Blade bore	mm	16
Blade tip width	mm	1.8
Weight	kg	3.4

Level of sound pressure according to EN 60745:
Sound pressure (L <sub>pA</sub> ) 91,0 dB(A), uncertainty (K) 3 dB(A)
Sound power (L <sub>WA</sub> ) 102 dB(A), uncertainty (K) 3 dB(A)

Vibration total values (triax vector sum) according to EN 60745:
Vibration emission value (a <sub>h,w</sub> ) 3.6 m/s <sup>2</sup> , uncertainty (K) 1.5 m/s <sup>2</sup> (cutting wood)

## EC declaration of conformity

MACHINERY DIRECTIVE



### CS1250, CS1250L-Circular Saw

BLACK+DECKER declares that these products described under "Technical data" are in compliance with: 2006/42/EC, EN60745-1:2010, EN60745-2-5:2010

These products also comply with Directive 2014/30/EU and 2011/65/EU.

For more information, please contact BLACK+DECKER at the following address or refer to the back of the manual.

The undersigned is responsible for compilation of the technical file and makes this declaration on behalf of BLACK+DECKER.

**R. Laverick**  
Engineering Manager  
BLACK+DECKER Europe, 210 Bath Road,  
Slough,  
Berkshire, SL1 3YD  
United Kingdom  
01.2017

## Guarantee

BLACK+DECKER is confident of the quality of its products and offers an outstanding guarantee. This guarantee statement is in addition to and in no way prejudices your statutory rights.

If a BLACK+DECKER product becomes defective due to faulty materials, workmanship or lack of conformity, within 24 months from the date of purchase, BLACK+DECKER guarantees to replace defective parts, repair products subjected to fair wear and tear or replace such products to make sure of the minimum inconvenience to the customer unless:

- The product has been used for trade, professional or hire purposes.
- The product has been subjected to misuse or neglect.
- The product has sustained damage through foreign objects, substances or accidents.
- Repairs have been attempted by persons other than authorised repair agents or BLACK+DECKER service staff.

To claim on the guarantee, you will need to submit proof of purchase to the seller or an authorised repair agent. You can check the location of your nearest authorised repair agent by contacting your local BLACK+DECKER office at the address indicated in this manual. Alternatively, a list of authorised BLACK+DECKER repair agents and full details of our aftersales service and contacts are available on the Internet at: [www.2helpU.com](http://www.2helpU.com)

## Kullanım amacı

BLACK+DECKER™ CS1250, CS1250L daire testereniz ahşap ve ahşap ürünleri kesmek amacıyla tasarlanmıştır. Bu alet sadece hafif hizmet ve hobi kullanımı içindir.

## Güvenlik talimatları

### Genel elektrikli alet güvenlik uyarıları



**Uyarı: Bütün güvenlik uyarılarını ve talimatlarını mutlaka okuyun.**

Aşağıda yer alan uyarılar ve talimatların herhangi birisine uyulmaması elektrik çarpması, yangın ve/veya ciddi yaralanma riskine neden olabilir.

**Bütün uyarı ve güvenlik talimatlarını ileride bakmak üzere saklayın.** Aşağıda yer alan uyarılardaki «elektrikli alet» terimi şebeke elektriğiyle (kablolu) veya akü/pille (şarjlı) çalışan elektrikli aletinizi ifade etmektedir.

### 1. Çalışma alanının güvenliği

- Çalışma alanını temiz ve aydınlık tutun.** Karışık ve karanlık alanlar kazaya davetiye çıkartır.
- Elektrikli aletleri, yanıcı sıvılar, gazlar ve tozların bulunduğu yerler gibi yanıcı ortamlarda çalıştırın.** Elektrikli aletler, toz veya dumanları ateşleyebilecek kıvılcımlar çıkartır.
- Bir elektrikli aleti çalıştırırken çocuklardan ve etraftaki kişilerden uzak tutun.** Dikkatinizi dağıtıcı şeyler kontrolü kaybetmenize neden olabilir.

### 2. Elektrik güvenliği

- Elektrikli aletlerin fişleri prizlere uygun olmalıdır. Fiş üzerinde kesinlikle hiçbir değişiklik yapmayın. Topraklı elektrikli aletlerde hiçbir adaptör fişi kullanmayın.** Değiştirilmemiş fişler ve uygun prizler elektrik çarpması riskini azaltacaktır.
- Borular, radyatörler, ocaklar ve buzdolapları gibi topraklanmamış yüzeylerle vücut temasından kaçının.** Vücudunuzun topraklanması halinde yüksek bir elektrik çarpması riski vardır.
- Elektrikli aletleri yağmura maruz bırakmayın veya ıslatmayın.** Elektrikli alete su girmesi elektrik çarpması riskini arttıracaktır.

- Elektrik kablosunu uygun olmayan amaçlarla kullanmayın. Elektrikli aleti kesinlikle kablosundan tutarak taşımayın, çekmeyin veya prizden çıkartmayın. Kabloyu sıcağın, yağdan, keskin kenarlardan veya hareketli parçalardan uzak tutun.** Hasarlı veya dolanmış kablolar elektrik çarpması riskini artırır.
- Elektrikli bir aleti açık havada çalıştırıyorsanız, açık havada kullanıma uygun bir uzatma kablosu kullanın.** Açık havada kullanıma uygun bir kablonun kullanılması elektrik çarpması riskini azaltır.
- Eğer bir elektrikli aletin nemli bir bölgede çalıştırılması zorunluysa, bir artık akım aygıtı (RCD) korumalı bir kaynak kullanın.** Bir RCD kullanılması elektrik şoku riskini azaltır.

### 3. Kişisel güvenlik

- Elektrikli bir aleti kullanırken her zaman dikkatli olun, yaptığınız işe yoğunlaşın ve sağduyulu davranın. Elektrikli bir aleti yorgunken veya ilaç ya da alkolün etkisi altındayken kullanmayın.** Elektrikli aletleri kullanırken bir anlık dikkatsizlik ciddi kişisel yaralanmayla sonuçlanabilir.
- Kişisel koruyucu ekipmanları mutlaka kullanın. Daima koruyucu gözlük takın.** Koşullara uygun toz maskesi, kaymayan güvenlik ayakkabıları, baret veya kulaklık gibi koruyucu donanımları kullanılması kişisel yaralanmaları azaltacaktır.
- İstem dışı çalıştırılmasını önleyin. Aleti güç kaynağına ve/veya aküye bağlamadan, yerden kaldırmadan veya taşımadan önce açma/kapama düğmesinin kapalı konumda olduğundan emin olun.** Aleti, parmağınız düğme üzerinde bulunacak şekilde taşımak veya açık konumdaki elektrikli aletleri elektrik şebekesine bağlamak kazaya davetiye çıkartır.
- Elektrikli aleti açmadan önce tüm ayarları anahtarlarını çıkartın.** Elektrikli aletin hareketli bir parçasına takılı kalmış bir anahtar kişisel yaralanmaya neden olabilir.
- Ulaşmakta zorlandığınız yerlerde kullanmayın. Daima sağlam ve dengeli basın.** Bu, beklenmedik durumlarda elektrikli aletin daha iyi kontrol edilmesine olanak tanır.

**f. Uygun şekilde giyinin. Bol elbiseler giymeyin ve takı takmayın. Saçınızı, elbiselerinizi ve eldivenlerinizi hareketli parçalardan uzak tutun.** Bol elbiseler ve takılar veya uzun saç hareketli parçalara takılabilir.

**g. Eğer kullandığınız üründe toz emme ve toplama özellikleri olan ataşmanlar varsa bunların bağlı olduğundan ve doğru şekilde kullanıldığından emin olun.** Bu toz toplama ataşmanların kullanılması tozla ilgili tehlikeleri azaltabilir.

#### 4. Elektrikli aletlerin kullanımı ve bakımı

**a. Elektrikli aleti zorlamayın. Uygulanmaz için doğru elektrikli aleti kullanın.** Doğru elektrikli alet, belirlendiği kapasite ayarında kullanıldığında daha iyi ve güvenli çalışacaktır.

**b. Düşme açmıyor ve kapatmıyorsa elektrikli aleti kullanmayın.** Düşmeyle kontrol edilemeyen tüm elektrikli aletler tehlikelidir ve tamir edilmesi gerekmektedir.

**c. Herhangi bir ayarlama, aksesuar değişimi veya elektrikli aletlerin saklanması öncesinde fişi güç kaynağından çekin ve/veya aküyü elektrikli aletten ayırın.** Bu tür önleyici güvenlik tedbirleri aletin istem dışı olarak çalıştırılması riskini azaltacaktır.

**d. Elektrikli aleti, çocukların ulaşamayacağı yerlerde saklayın ve elektrikli aleti tanımayan veya bu talimatları bilmeyen kişilerin elektrikli aleti kullanmasına izin vermeyin.** Elektrikli aletler, eğitimsiz kullanıcıların elinde tehlikelidir.

**e. Elektrikli aletleri iyi durumda muhafaza edin. Hareketli parçalardaki hizalama hatalarını ve tutuklukları, parçalardaki kırılmalar ve elektrikli aletin çalışmasını etkileyebilecek tüm diğer koşulları kontrol edin.** Hasarlı ise, elektrikli aleti kullanmadan önce tamir ettirin. Kazaların çoğu, elektrikli aletlerin bakımının yeterli şekilde yapılmamasından kaynaklanır.

**f. Kesim aletlerini keskin ve temiz tutun.** Bakımı uygun şekilde yapılmış keskin kesim uçlu kesim aletlerinin sıkışma ihtimali daha düşüktür ve kontrol edilmesi daha kolaydır.

**g. Elektrikli aleti, aksesuarlarını ve aletin diğer parçalarını kullanırken bu talimatlara mutlaka uyun ve çalışma ortamının koşullarını ve yapılacak işin ne olduğunu göz önünde bulundurun.**

Elektrikli aletin öngörülen işlemler dışındaki işlemler için kullanılması tehlikeli durumlara neden olabilir.

#### 5. Servis

**a. Elektrikli aletinizi, sadece orijinal yedek parçaların kullanıldığı yetkili servise tamir ettirin.** Bu, elektrikli aletin güvenliğinin muhafaza edilmesini sağlayacaktır.

#### Elektrikli el aletleri için ek güvenlik talimatları



**Uyarı!** Testere için ek güvenlik talimatları

**a. Ellerinizi aletin mil kısmından uzak tutun. Diğer elinizi yardımcı kolun veya motor muhafazasının üzerinde tutun.** Testereyi iki elinizle tuttuğunuzda bıçağın elinizi kesme ihtimali ortadan kalkar.

**b. Üzerinde çalıştığınız parçaya alttan ulaşmayı denemeyin.** Bıçak muhafazası, üzerinde çalıştığınız parçanın altındayken sizi bıçaktan koruyamaz.

**c. Kesim derinliğini üzerinde çalıştığınız parçanın kalınlığına göre ayarlayın.** Üzerinde çalıştığınız parçanın alt tarafından en fazla tam bir bıçak dişinin biraz azı görünmelidir.

**d. Kesilen parçayı kesinlikle ellerinizde veya bacaklarınızın arasında tutmayın. Üzerinde çalıştığınız parçayı dengeli bir platformda sabitleyin.** Vücutla temas, bıçağın sıkışması ve kontrol kaybı ihtimalini en aza indirmek için üzerinde çalışılan parçayı destekleme önemlidir.

**e. Kesim aletinin gizli kabloları veya kendi kablosuna temas edebileceği yerlerde çalışma yaparken elektrikli aleti yalıtımlı kavrama yüzeylerinden tutun.** Aletin «akım taşıyan» bir kabloya temas eden metal kısımları da «akım taşıyıcı» hale gelecek ve kullanıcının çarpılmasına neden olabilir.

**f. Yarık açarken daime bir yarık siperliği veya düz kenarlı bir kılavuz kullanın.** Bu, kesim işleminin hassaslığını artırırken bıçağın sıkışma ihtimalini azaltır.



**g. Daima doğru boyut ve şekilde (yuvarlağa karşı baklava dilimli) deliklere sahip bıçakları kullanın.** Testerenin montaj donanımına uygun olmayan bıçaklar düzensiz çalışacak ve kontrol kaybına neden olacaktır.

**h. Hasarlı veya yanlış bıçak pullarını veya cıvataları kesinlikle kullanmayın.** Bıçak pulları ve cıvatalar testereniz için, en iyi performans ve güvenli çalışma için özel olarak tasarlanmıştır.

## Testere için ek güvenlik talimatları

Geri tepme nedenleri ve kullanıcının korunması

- Tepme, sıkışan, yapışma yapan veya yanlış hizalanmış bir testere bıçağına karşı ani bir tepkidir ve testerenin kontrolsüz bir şekilde yukarı kalkıp üzerinde çalışılan parçadan kurtularak kullanıcıya doğru gelmesine neden olur;
- Bıçak, yarıktaki sıkışma veya yarığa sıkıca yapışsa, dönemez hale gelir ve motor tepkisi üniteyi hızlı bir şekilde kullanıcıya doğru atar;
- Kesim sırasında bıçağın hizası bozulursa veya bıçak bükülürse, bıçağın arka kenarındaki dişler ahşabın üst yüzeyine girerek bıçağın yarıktan çıkmasına ve kullanıcıya doğru geri tepmesine neden olabilir.

Geri tepme, testerenin yanlış kullanılmasında ve/veya yanlış çalıştırma prosedürleri veya koşullarından kaynaklanır ve aşağıda da belirtilen uygun tedbirler alınarak önlenabilir

- a. Testereyi her iki elinizle sıkıca kavrayın ve kollarınızı tepme kuvvetlerine karşı koyacak şekilde konumlandırın. Vücutunuz testereyle aynı hizada değil, testerenin her iki tarafında olacak şekilde durun.** Geri tepme, testerenin geriye sıçramasına neden olabilir ancak geri tepme kuvvetleri uygun tedbirler alınması halinde kullanıcı tarafından kontrol edilebilir.
- b. Testere yapıştığı anda veya herhangi bir nedenden ötürü kesme işlemi sürdürmediğinde tetiği bırakın ve bıçak tümüyle durana kadar testereyi malzeme içinde hareketsiz bir şekilde**

**tutun.** Testereyi, bıçak hareket halindeyken kesinlikle parçadan çıkarmayın veya çekmeyi denemeyin aksi takdirde geri tepme meydana gelebilir. Bıçağın yapışmasının nedenlerini araştırıp düzeltin.

**c. Üzerinde çalıştığınız parçayı yeniden kesmeye başladığınızda, testere bıçağını yarıktaki ortaya ve testere dışlarının malzemeye temas etmediğinden emin olun.** Testere bıçağı yapışıyorsa, testere yeniden çalıştırıldığında üzerinde çalıştığınız parçaya tırmanabilir veya geri tepebilir.

**d. Bıçağın sıkışması ve tepme riskini en aza indirmek için büyük panelleri destekleyin. Büyük paneller kendi ağırlıklarıyla bükülebilir.** Panelin her iki taraftan altına, kesim hattının yakınına ve panelin kenarına yakın bir noktaya destekler koyulmalıdır.

**e. Körelmiş veya hasarlı bıçakları kullanmayın.** Biçimi bozulmuş veya yanlış ayarlanmış bıçaklar dar yarıklara neden olarak aşırı sürtünme, bıçak yapışması ve geri tepmeye neden yol açarlar.

**f. Bıçak derinliği ve açısı ayarı kilitleme kolları kesim işleminden önce sıkılmalı ve sabitlenmelidir.** Kesim sırasında bıçak ayarında kayma meydana gelirse yapışmaya ve geri tepmeye neden olabilir.

**g. Mevcut duvarlara veya diğer kör alanlarda «dikine kesim» yaparken son derece dikkatli olunmalıdır.** Çukurtı yapan bıçak geri tepmeye neden olabilecek nesnelere kesebilir.

**İçte veya dışta sarkaç tipi bıçak muhafazası ve geri çekme muhafazası olan daire testere için güvenlik talimatları**

- a. Her kullanımdan önce alt muhafazanın doğru kapanıp kapanmadığını kontrol edin. Alt muhafaza serbestçe ve yeterince yakın hareket etmiyorsa testereyi kullanmayın.** Alt muhafazayı kesinlikle açık konumda sabitlemeyin veya bağlamayın. Testere kazara düşerse, alt muhafaza yamulabilir. Alt muhafazayı geri çekme koluyla kaldırıp tüm kesim açıları ve derinliklerinde serbest bir şekilde hareket ettirdikten ve bıçağı veya başka herhangi bir parçaya temas etmediğinden emin olun.

**b. Alt muhafaza yayının çalışmasını kontrol edin. Muhafaza ve yay doğru bir şekilde çalışmıyorsa kullanılmadan önce bakımları yapılmalıdır.** Alt muhafaza

hasarlı parçalar, yapışkan tortular veya moloz birikmesi nedeniyle yavaş çalışabilir.

**c. Alt muhafaza, sadece «dikine kesimler» ve «birleşik kesimler» gibi özel kesimlerde elle geri çekilmelidir.** Alt

muhafazayı geri çekme koluyla kaldırın ve bıçak malzemeye girer girmez alt muhafazayı bırakın. Tüm diğer kesim işleri için alt muhafaza otomatik olarak çalıştırılmalıdır.

**d. Testereyi tezgaha veya yere bırakırken alt muhafazanın bıçağı kapattığından her zaman emin olun. Korunmayan, açıkta duran bıçak, testerenin geriye yürüyerek yolundaki her şeyi kesmesine neden olacaktır.** Düğme bırakıldıktan sonra bıçağın durması için biraz zaman gerektiğini unutmayın.

## Diğer tehlikeler

- Aşağıda sıralanan riskler testerelerin kullanımına özgü risklerdir:

Aletin dönen parçalarına dokunma sonucu ortaya çıkan yaralanmalar.

- Emniyet tedbirlerini düzenleyen yönetmeliğin uygulanmasına ve emniyet sağlayıcı aygıtların kullanılmasına rağmen, başka belirli risklerden kaçınılamaz. Bunlar:
- Duyma bozukluğu.
- Döner testere bıçağının açık parçalarından kaynaklanan kaza riski.
- Bıçağı değiştirirken yaralanma riski.
- Muhafazaları açarken parmakların sıkışma riski.
- Özellikle meşe, akgürgen ve MDF olmak üzere ahşap keserken meydana gelen tozun yutulması sonucu oluşan sağlık sorunları.

## Lazer (Sadece CS1250L)

- Bu lazer, EN 60825-1:2014 uyarınca 2. sınıfa uygundur. Lazer diyodunu başka tipte bir diyotla değiştirmeyin. Lazerin hasar görmesi halinde, lazerin onarımını yetkili bir servise yaptırın.
- Lazeri, lazer çizgileri yansıtmak dışında bir amaç için kullanmayın.
- Gözün, sınıf 2 lazer huzmesine maruz kalması maksimum 0,25 saniye süreyle güvenli kabul edilmektedir. Göz kapağı refleksleri normalde yeterli koruma sağlayacaktır. 1 m'nin üzerindeki mesafelerde, lazer, sınıf 1'le uyumlu hale gelir ve tümüyle güvenli kabul edilir.
- Kesinlikle doğrudan ve bilinçli olarak lazer ışınına bakmayın.
- Lazer ışınını görmek için optik aletler kullanmayın.
- Aleti, lazer ışınının herhangi bir kişinin baş hizasından geçebileceği bir konumda kurmayın.
- Çocukların lazere yaklaşmasına izin vermeyin.

## Testere bıçakları

- Tavsiye edilenden daha büyük veya daha küçük çaplarda bıçak kullanmayın. Uygun bıçak hızı için teknik verilere bakın. Sadece bu kılavuzda belirtilen, EN 847-1 ile uyumlu bıçakları kullanın.

**Uyarı!** Kesinlikle aşındırıcı kesim diskleri kullanmayın.

## Diğer kişilerin güvenliği

- Bu alet fiziksel ve zihinsel kapasitesinin yanı sıra algılama gücü azalmış olan veya yeterince deneyim ve bilgisi bulunmayan kişiler (çocuklar dahil) tarafından kullanılmak üzere üretilmemiştir. Bu tür kişiler aleti ancak güvenliklerinden sorumlu bir kişi tarafından aletin kullanımıyla ilgili talimatların verilmesi veya sürekli kontrol altında tutulması durumunda kullanabilir.
- Çocuklar, aletle oynamalarını önlemek amacıyla kontrol altında tutulmalıdır.

## Titreşim






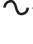
Teknik veriler ve uygunluk beyanatı içerisinde belirtilen titreşim emisyon değerleri EN60745 tarafından belirlenen standart bir test yöntemine uygun olarak ölçülmektedir ve diğer bir aletle karşılaştırma yaparken kullanılabilir. Beyan edilen titreşim emisyon değeri aynı zamanda maruz kalmanın önceden değerlendirilmesinde de kullanılabilir.

**Uyarı!** Elektrikli aletin mevcut kullanımı sırasındaki titreşim emisyon değeri, aletin kullanım yöntemine bağlı olarak, beyan edilen değere göre farklılık sergileyebilir. Titreşim düzeyi belirlenen seviyenin üzerinde artış gösterebilir.

İşyerinde düzenli olarak elektrikli alet kullanan çalışanları korumak amacıyla 2002/44/EC tarafından getirilen elektrik güvenliği önlemlerini belirlemek üzere titreşime maruz kalmayı değerlendirirken, çalışma döngüsü içerisinde örneğin aletin kapalı olduğu ve aktif durumda olmasının yanı sıra boşta çalıştığı zamanlar gibi, bütün zaman dilimleri dahil olmak üzere mevcut kullanım durumu ve aletin kullanım şekli göz önünde bulundurularak değerlendirilmelidir.

## Alet üzerindeki etiketler

Aletin etiketinde aşağıdaki semboller bulunabilir

	Tüm talimatları okuyun.	H <sub>z</sub> ..... Hertz		..... Çift yalıtım	
	Koruyucu gözlük takın.	min ..... dakikalar		Topraklı terminal	
	Kulaklık takın.		Dalgalı akım		Güvenlik uyarı sembolü
V ..... Volt	..... Doğru akım	..... /min..	Dakikada devir veya darbe sayısı		
A ..... Amper	..... Yüksüz hızı				



Lazer ışınımlı.



Lazer ışınının içine bakmayın.



Lazer ışınına görmek için optik aletler kullanmayın.



LAZER IŞINIMI  
LAZER IŞINININ İÇİNE BAKMAYIN.  
IEC/EN60825-1:2014EC'e göre 2.  
SINIF LAZER ÜRÜNÜ.  
P<sub>max</sub> <1mW, λ = 650nm

## Tarih kodu konumu

İmalat yılını da içeren Tarih Kodu gövdeye basılıdır.

Örnek:

2017 XX JN  
İmalat Yılı

## Elektrik güvenliği



Bu alet çift yalıtımlıdır. Bu yüzden hiçbir topraklama kablosuna gerek yoktur. Her zaman şebeke geriliminin aletin üretim etiketinde belirlenmiş değerlere uyup uymadığını kontrol edin.

- Elektrik kablosu hasarlı ise, bir tehlike oluşmasını önlemek için üretici ya da yetkili BLACK + DECKER Servis Merkezi tarafından değiştirilmelidir.

## Özellikler

Bu alet, aşağıdaki özelliklerin bir kısmını veya tümünü içermektedir.

- Açma/kapama düğmesi
  - Güvenlik düğmesi
  - Ana kol
  - İkinci tutma kolu
  - Açılı kesim açısı ölçeği
  - Açılı kesim ayarı kilitleme kolu
  - Paralel kesme kılavuzu
  - Testere tabanı
  - Testere bıçağı
  - Bıçak muhafazası
  - Kesim derinliği ölçeği
  - Kesim derinliği ayarı kilitleme kolu
  - Toz atma çıkışı
  - Bıçak altıgen anahtarı
  - Mil kilidi düğmesi
- Şekil G ve H (sadece model CS1250L)**
- Lazer çıkışı

## Montaj

**Uyarı!** Aşağıdaki işlemlerden herhangi birini gerçekleştirmeden önce, aletin kapalı ve fişinin çekili olduğundan ve testere bıçağının durduğundan emin olun.

### Testere bıçağının çıkartılması ve takılması (Şekil B)

#### Çıkartılması

- Mil kilidi düğmesini (21) basılı tutun ve mil kilidi kenetlenene kadar testere bıçağını döndürün.
- Bıçak tutma vidasını (15) altıgen anahtarla (14) saatin aksi yönde döndürerek gevşetip çıkartın.
- Dış contayı (16) çıkartın.
- Testere bıçağını (9) çıkartın.

**İKAZ:** Hiçbir zaman mil kilidi düğmesini bıçak dönerken kullanmayın. Mil kilitli halindeyken hiçbir zaman testereyi çalıştırmayın. Testerenin ciddi şekilde hasar görmesine neden olabilir.

#### Takılması

- Mil kilidi düğmesini (21) basılı tutun ve mil kilidi kenetlenene kadar testere bıçağını döndürün.
- Bıçak tutma vidasını (15) altıgen anahtarla (14) saatin aksi yönde döndürerek gevşetip çıkartın.
- Dış contayı (16) çıkartın.
- Testere bıçağını (9) milin üzerine takın. Üst muhafaza üzerindeki ok ile bıçak üzerindeki okun yönünün aynı olmasına dikkat edin.
- Dış contayı, daha geniş düz tarafı bıçak tarafına bakacak şekilde milin üzerine yerleştirin.
- Bıçak tutma vidasını milin deliğine yerleştirin.
- Altıgen anahtarı saat yönünde döndürerek bıçak tutma vidasını sağlam şekilde sıkın.

**Uyarı!** Yeni bir bıçak taktıktan sonra her

zaman bıçak muhafazası, serbestçe hareket ettiğinden emin olmak için kontrol edilmelidir.

**Uyarı!** Ciddi yaralanma riskini azaltmak için aleti kullanmadan önce, bütün önemli olan güvenlik uyarılarını ve talimatlarını okuyup anladığınızdan emin olun.

### Paralel kesme kılavuzunun takılması ve sökülmesi (Şekil C)

Paralel kesme kılavuzu, üzerinde çalıştığınız parçanın kenarına paralel, düz bir çizgide kesmek için kullanılır.

#### Takılması

- Kilit tırnağını (18) gevşetin.
- Paralel kesme kılavuzunu (7) açıklıklardan (19) geçirin.
- Paralel kesme kılavuzunu istediğiniz konuma kaydırın.
- Kilit tırnağını sıkın.

#### Çıkartılması

- Kilit tırnağını (18) gevşetin.
- Paralel kesme kılavuzunu aletten çekip çıkartın.

#### Kullanım

Bu alet sağ el veya sol ele göre kullanılabilir.

**Uyarı!** Aletin kendi hızında çalışmasına izin verin. Aşırı yüklenmeyin.

### Elektronik Özelliği. Lazer ışınının hareketi. Sadece model CS1250L (Şekil G ve H)

**Uyarı!** Kullanılmadığında, lazeri kapattığınızdan emin olun. Kesinlikle doğrudan lazer ışınına bakmayın. Lazer ışını gözlerinize zarar verebilir.

LAZER İŞİNİMİ: HERHANGİ BİR II SINIFI LAZER ÜRÜNLERİNİN İŞİNİNİN İÇİNE BAKMAYIN.

Lazer çizgisini değiştirmeden veya bakım ayarlamasını yapmadan önce, aletin fişini prizden çektiğinizden emin olun.

- Lazeri açmak/kapatmak için, lazer gövdesinin arkasındaki düğmeyi (12a) kullanın.

### Lazer lensinin temizlenmesi

Lazer lensi kirlenirse veya talaş lazer çizgisinin artık kolayca görülemeyeceği bir şekilde yapışır, testerenin fişini prizden çekin ve lensi nemli, yumuşak bir bezle dikkatlice temizleyin. Lense çözücü veya herhangi bir petrol bazlı temizlik maddesini kullanmayın.

**Not:** Çalışma alanınızın yakınında bulunan iç veya dış penceredeki doğrudan güneş ışığı nedeniyle lazer çizgisi belirsiz ve neredeyse tamamen görünmez olduğunda, çalışma alanını doğrudan güneş ışığına maruz kalmayan bir yere yerleştirin.

**Not:** Bu aletin çalışması için yapılan tüm ayarlamalar fabrikada yapılmıştır.

**Uyarı:** Bu kılavuzda belirtilenler dışındaki kumandaların, ayarlamaların veya işlemlerin uygulanması tehlikeli radyasyona maruz kalmaya sonuçlanabilir. Bu ürünle optik aletlerin kullanılması gözle zarar tehlikesini artırır. Tamir etmeye veya ürünü sökmeye çalışmayın. Yetkili olmayan kişiler tarafından bu lazer ürününün tamir edilmeye çalışılması ciddi yaralanmalara neden olabilir. Bu lazer ürününde gerekli herhangi bir tamir, yetkili bir servis merkezi personeli tarafından yapılmalıdır.

### Kesim derinliğinin ayarlanması (Şekil D)

Kesim derinliği, üzerinde çalışılan parçanın kalınlığına göre ayarlanmalıdır. Kalınlığı, yaklaşık 2 mm aşmalıdır.

- Testere tabanının kilidini açmak için tırnağı (12) gevşetin.
- Testere tabanını (8) istediğiniz konuma getirin. İlgili konuma karşılık gelen kesim derinliği ölçekten (11) okunabilir.
- Testere tabanını ilgili konumda kilitlemek için tırnağı sıkın.

### Açılı kesim uyarı (Şekil E)

- Bu ürün 0-45 derece arasında açılı kesim için ayarlanabilir.

- Kilitleme kolunu (6) gevşeterek testere tabanını gevşetin.
- Testere tabanını (8) istediğiniz konuma getirin. Denk gelen kesim derinliği ölçekten (5) okunabilir.
- Kilitleme kolunu sıkarak testere tabanını kilitleyin.

### Açılması ve kapatılması

- Aleti açmak için, güvenlik düğmesini (2) açık konumuna getirip ve açma/kapama düğmesine (1) basın.
- Aleti kapatmak için açma/kapama düğmesini bırakın.

### Kesme

- Aleti her zaman iki elinizle tutun.
- Kesme işlemine başlamadan önce bıçağın birkaç saniye boşa dönmesine izin verin.
- Kesme işlemi sırasında alete yalnızca hafif bir baskı uygulayın.
- Testere tabanını, kesilen parça üzerinde bastırarak çalışın.

### Toz atma (Şekil F)

Alete elektrikli süpürge veya toz tahliye cihazı bağlamak için bir adaptör gereklidir. Bu adaptörü, bölgenizdeki BLACK+DECKER bayiinden edinebilirsiniz.

- Adaptörü toz atma çıkışına (13) yerleştirin.
- Elektrikli süpürge hortumunu adaptöre bağlayın.

### En uygun kullanım için yararlı tavsiyeler

- Kesim hattı boyunca kesim yüzeyinde pürüz meydana gelebileceğinden, malzemeyi pürüzün sorun yaratmayacağı taraftan kesin.
- Pürüzün an aza indirilebileceği durumlarda örnek: laminat kesimi, kesilen malzemenin üzerine bir parça kontrplağı mengene ile sıkıştırın.

## Aksesuarlar

Aletinizin performansı kullanılan aksesuara bağlıdır. BLACK+DECKER ve Piranha aksesuarları, yüksek kalite standartlarına göre üretilmiş ve aletinizin performansını arttıracak şekilde tasarlanmıştır. Bu aksesuarları kullanarak, aletinizden en iyi verimi alacaksınız.

## Bakım

BLACK+DECKER elektrikli/şarjlı aletinizin minimum bakımla uzun bir süre çalışacak şekilde tasarlanmıştır. Kesintisiz olarak memnuniyet verici bir şekilde çalışması gerekli özenin gösterilmesine ve düzenli temizliğe bağlıdır.

**Uyarı!** Elektrikli/şarjlı alet üzerinde herhangi bir bakım işlemi gerçekleştirmeden önce:

- Aleti kapatın ve fişten çekin.
- Veya aletin çıkartılabilir aküsü varsa; aleti kapatın ve aküyü alettten çıkartın.
- Veya aletin dahili aküsü varsa, bitene kadar çalıştırın ve sonra kapatın.
- Şarj cihazını temizlemeden önce fişten çekin. Şarj cihazınız, düzenli temizlik dışında herhangi bir bakım gerektirmemektedir.
- Aletinizdeki ve şarj cihazındaki havalandırma deliklerini yumuşak bir fırça veya kuru bir bezle düzenli olarak temizleyin.
- Motor muhafazasını düzenli olarak nemli bir bezle silin. Aşındırıcı veya çözücü bazlı temizleyiciler kullanmayın.
- Mandreni düzenli olarak tamamen açın ve içindeki tozu dökmek için hafifçe vurun (mandren alete takılıysa).

## Çevrenin korunması



Ayrı olarak atın. Bu ürün, normal evsel atıklarla birlikte atılmamalıdır.

BLACK+DECKER ürününüzün değiştirilmesi gerektiğini düşünmeniz veya artık kullanılamaz durumda olması halinde onu, evsel atıklarla birlikte atmayın. Bu ürünü, ayrı olarak toplanacak şekilde atın.



Kullanılmış ürünlerin ve ambalajların ayrı olarak toplanması bu maddelerin geri dönüşüme sokularak yeniden kullanılmasına olanak tanır. Geri dönüşümlü maddelerin tekrar kullanılması çevre kirliliğinin önlenmesine yardımcı olur ve ham madde ihtiyacını azaltır.

Yerel yönetmelikler, elektrikli ürünlerin evlerden toplanıp belediye atık tesislerine aktarılması veya yeni bir ürün satın alırken perakende satıcı tarafından toplanması yönünde hükümler içerebilir.

BLACK+DECKER, hizmet ömrünün sonuna ulaşan BLACK+DECKER ürünlerinin toplanması ve geri dönüşme sokulması için bir imkan sunmaktadır. Bu hizmetin avantajlarından faydalanmak için, lütfen, ürününüzü bizim adımıza teslim edecek herhangi bir yetkili servise iade edin.

Bu kılavuzda belirtilen listeden size en yakın BLACK+DECKER yetkili tamir servisinin yerini öğrenebilirsiniz. Ya da, alternatif olarak internet'ten BLACK+DECKER yetkili tamir servislerinin listesini ve satış sonrası hizmetlerimizle ilgili tüm bilgiler ve temas bilgilerine aşağıdaki siteden ulaşabilirsiniz. [www.2helpU.com](http://www.2helpU.com)

## Teknik özellikleri

CS1250, CS1250L		
Giriş voltajı	V <sub>AC</sub>	220-240
Giriş gücü	W	1250
Yüksüz hızı	dev/dak.	5300
Maks. kesme derinliği	mm	66
Bıçak çapı	mm	190
Bıçak göbek çapı	mm	16
Bıçak diş genişliği	mm	1,8
Ağırlık	kg	3,4

### EN 60745'e göre ses basıncı düzeyi:

Ses basıncı (L<sub>pA</sub>) 91,0 dB(A), belirsizlik (K) 3 dB(A)

Akustik güç (L<sub>WA</sub>) 102 dB(A), belirsizlik (K) 3 dB(A)

**EN 60745'e göre tespit edilen toplam titreşim değerleri (üç yönün vektör toplamı):**

Titreşim emisyon değeri ( $a_{h,w}$ ) 3,6 m/s<sup>2</sup>  
belirsizlik (K) 1,5 m/s<sup>2</sup> (ahşap kesme)

**AT Uygunluk Beyanatı**  
MAKİNE DİREKTİFİ**CS1250, CS1250L-daire testereniz**

BLACK+DECKER, «Teknik özellikleri» bölümünde açıklanan bu ürünlerin aşağıda belirtilen yönergelere uygun olduğunu beyan eder: 2006/42/EC, EN60745-1:2010, EN60745-2-5:2010

Bu ürünler ayrıca 2014/30/EU and 2011/65/EU. Direktiflerine de uygundur.

Daha fazla bilgi için, lütfen aşağıdaki adresten BLACK+DECKER ile irtibata geçin veya kılavuzun arkasına bakın.

Bu belge altında imzası bulunan yetkili, teknik dosyanın derlenmesinden sorumludur ve bu beyanı BLACK+DECKER adına vermiştir.

**R. Laverick**

Mühendislik Bölümü Müdürü  
BLACK+DECKER Europe, 210 Bath Road,  
Slough,  
Berkshire, SL1 3YD  
İngiltere  
01.2017

**Garanti**

BLACK+DECKER, ürünün kalitesinden emindir ve bu yüzden kanunlarda belirtilen taleplerin üstünde bir garanti verir. Ayrıca bu garanti hiçbir şekilde garanti ile ilgili kanuni haklarınızı ihlal etmez ve haklarınızı hiç bir şekilde kısıtlamaz.

Eğer bir BLACK+DECKER ürünü, satın alma tarihinden itibaren 24 ay içinde hatalı malzeme, işçilik ya da uygunsuzluk nedeniyle bozulursa, müşteriye mümkün olabilecek en az sorunu yaşatarak BLACK+DECKER hatalı kısımları değiştirmeyi, adil bir şekilde aşınmış ve yıpranmış ürünleri tamir etmeyi veya değiştirmeyi garanti eder. Ancak bu belirtilenler şu durumlar dışında geçerlidir:

- Ürün ticari veya profesyonel amaçlarla kullanılmışsa veya kiraya verilmişse;
- Ürün yanlış veya amaç dışı kullanılmışsa;
- Ürün yabancı nesnelere, maddelere veya kaza sırasında zarar görmüşse;
- Yetkili tamir servisleri veya BLACK+DECKER servis ekibinden başkası tarafından tamir edilmeye çalışılmışsa.

Garanti talebinde bulunmak için, satıcıya veya yetkili tamir servisine satın aldığınızın dair ispat sunmalısınız. Fatura ve garanti kartı gerekmektedir. Bu kılavuzda belirtilen listeden size en yakın BLACK+DECKER yetkili tamir servisinin yerini öğrenebilirsiniz. Ya da, alternatif olarak internet'ten BLACK+DECKER yetkili tamir servislerinin listesini ve satış sonrası hizmetlerimizle ilgili tüm bilgiler ve temas bilgilerine aşağıdaki siteden ulaşabilirsiniz. [www.2helpU.com](http://www.2helpU.com)

Sanayi ve Ticaret Bakanlığı tebliğince kullanım ömrü 7 yıldır.

STANLEY BLACK&DECKER TURKEY  
ALET ÜRETİM SAN. TİC. LTD.ŞTİ.  
Kozyatağı Mh Değirmen Sk.  
Nida Kule No:18 Kat:6  
34742 Kadıköy  
İstanbul, TÜRKİYE  
Tel: +90 216 665 2900  
Fax: +90 216 665 2901





